

[54] MICROSCOPE ILLUMINATOR HOUSING

[75] Inventors: **Richard L. Morgan**, Cincinnati, Ohio;
Richard E. Feinbloom, New York, N.Y.

[73] Assignee: **Designs for Vision, Inc.**, New York, N.Y.

[**] Term: **14 Years**

[21] Appl. No.: **821,548**

[22] Filed: **Aug. 3, 1977**

[51] Int. Cl. **D16-06**

[52] U.S. Cl. **D16/57**

[58] Field of Search **D16/57; 362/190, 335, 362/804**

[56] **References Cited**

U.S. PATENT DOCUMENTS

D. 163,628	6/1951	Perkins	D16/57
D. 198,142	5/1964	Armbruster	D16/57
D. 205,096	6/1966	Korte	D16/57

2,764,672	9/1956	Koedderich et al.	362/190
2,863,989	12/1958	Wrigglesworth	362/335

OTHER PUBLICATIONS

Carolina Biological Supplies, ©1966, p. 531, Opti-Lume Illuminator, item No. 59-7500.

Primary Examiner—Bernard Ansher
Attorney, Agent, or Firm—Arthur L. Plevy

[57] **CLAIM**

The ornamental design for a microscope illuminator housing, as described.

DESCRIPTION

FIG. 1 is a front elevation of a microscope illuminator housing, showing our new design; FIG. 2 is a rear elevation thereof; FIG. 3 is a left side elevation thereof; FIG. 4 is a right side elevation thereof; FIG. 5 is a top plan view thereof; FIG. 6 is a bottom plan view thereof; and FIG. 7 is a side elevation thereof; the broken lines are disclosed for illustrative purposes only.

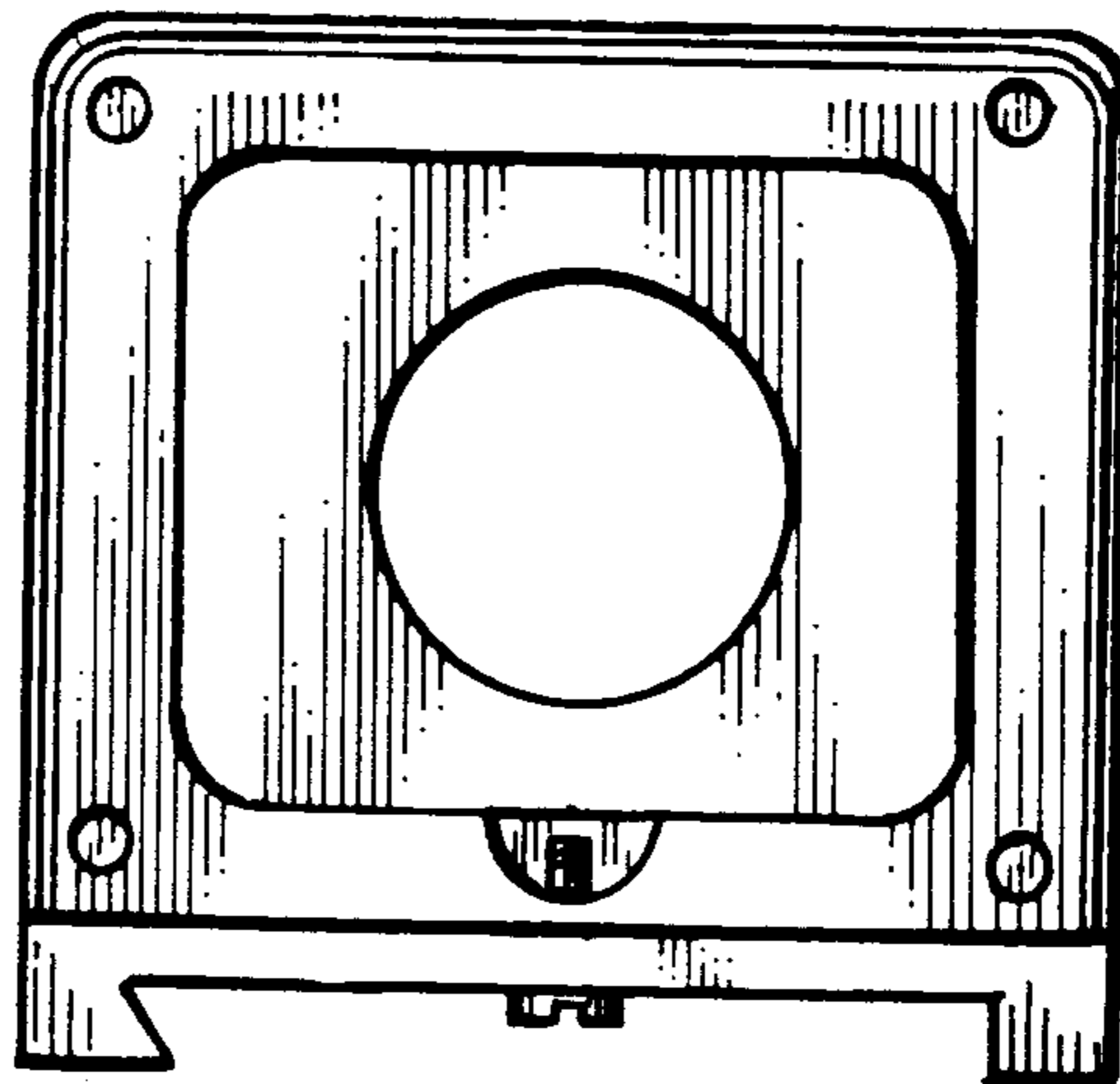
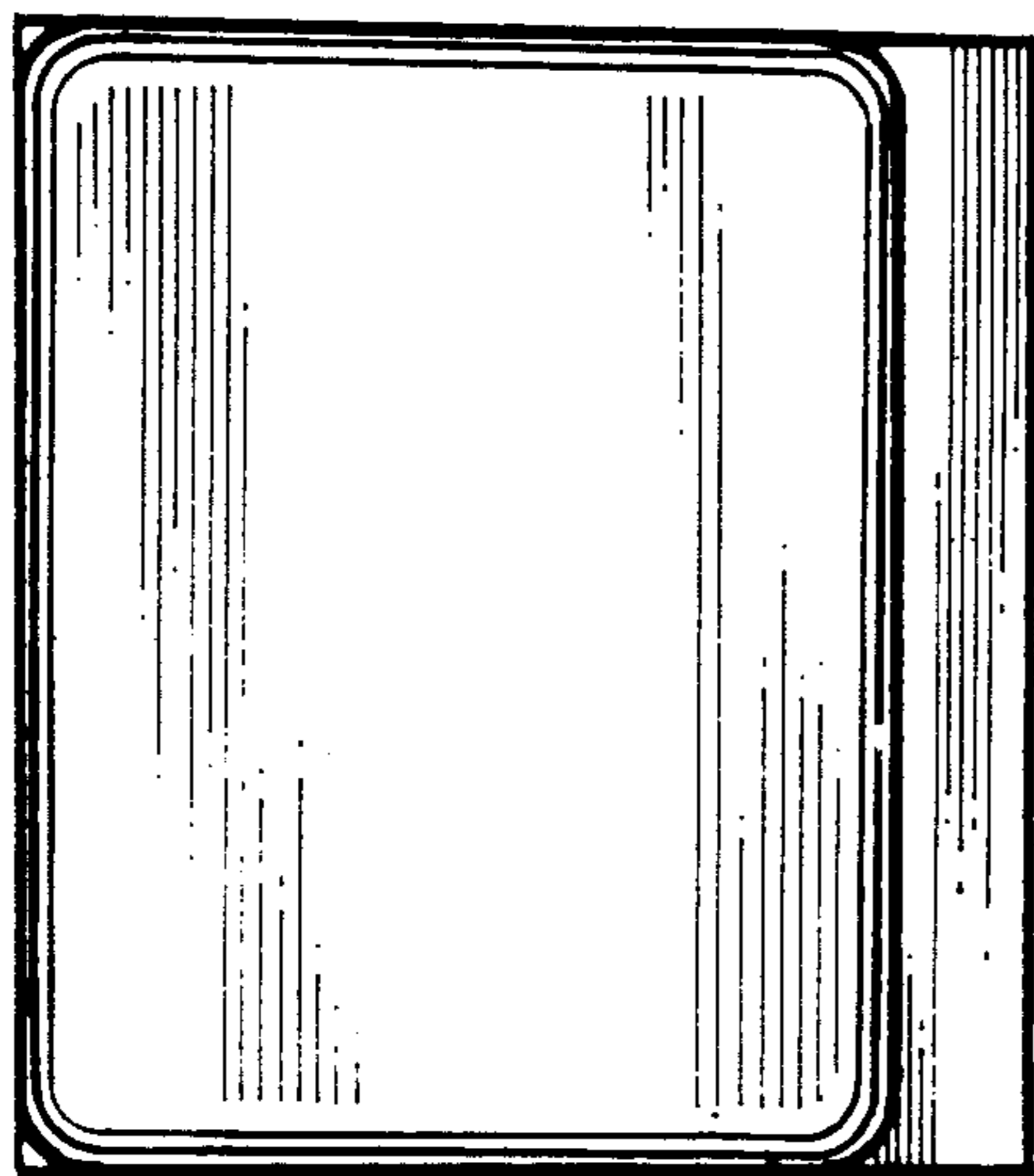


Fig. 1.

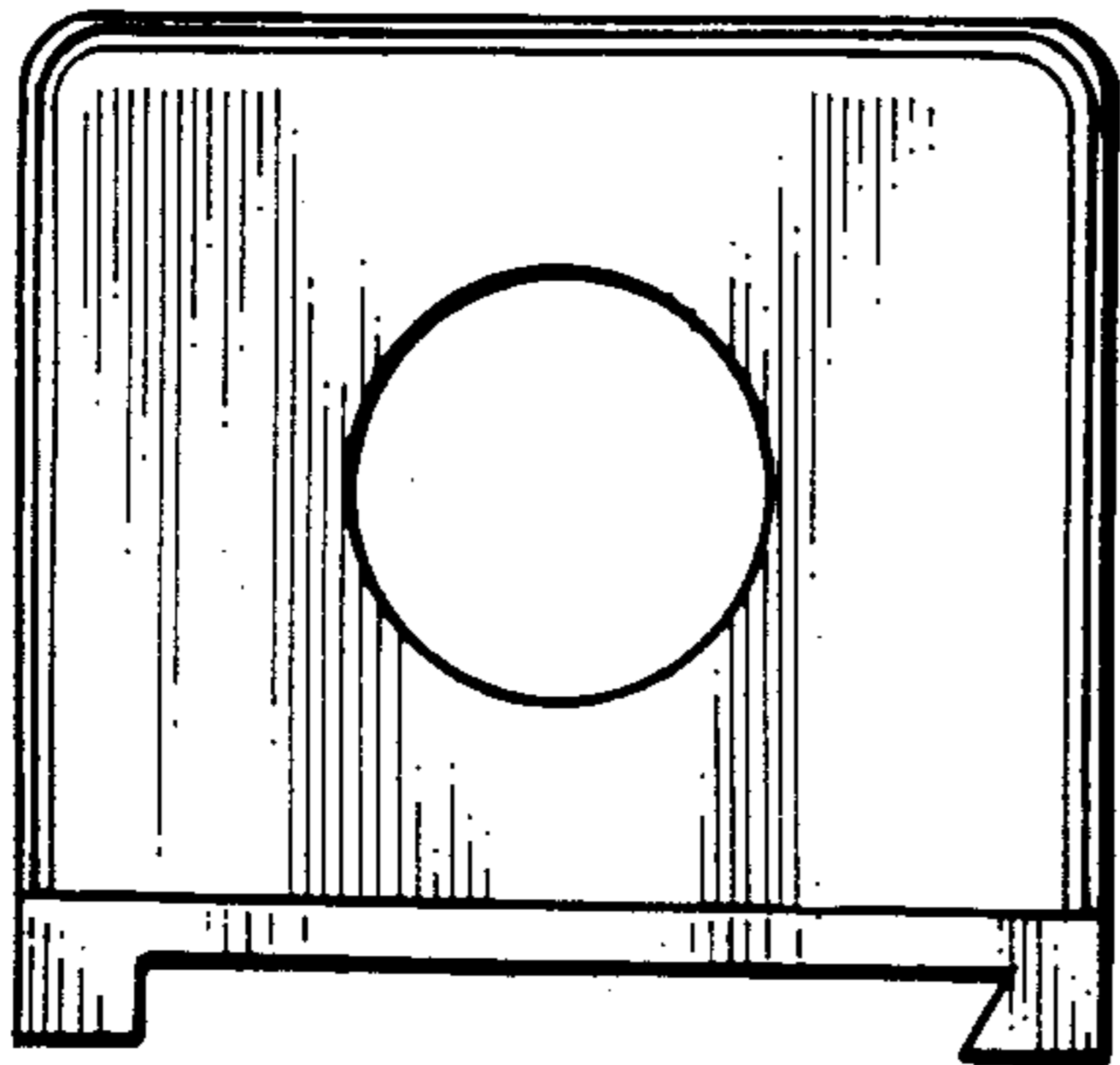


Fig. 2.

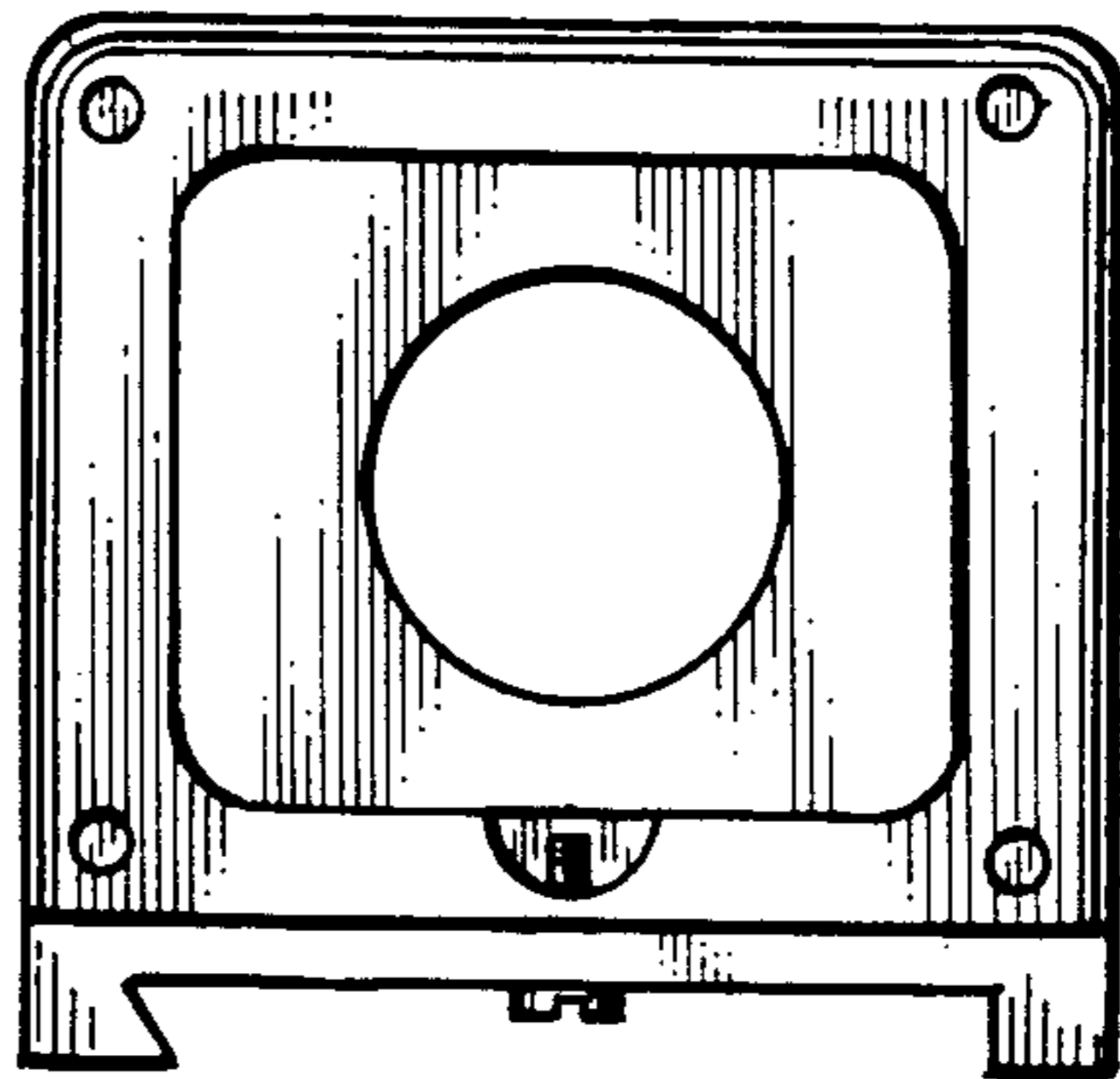


Fig. 3.

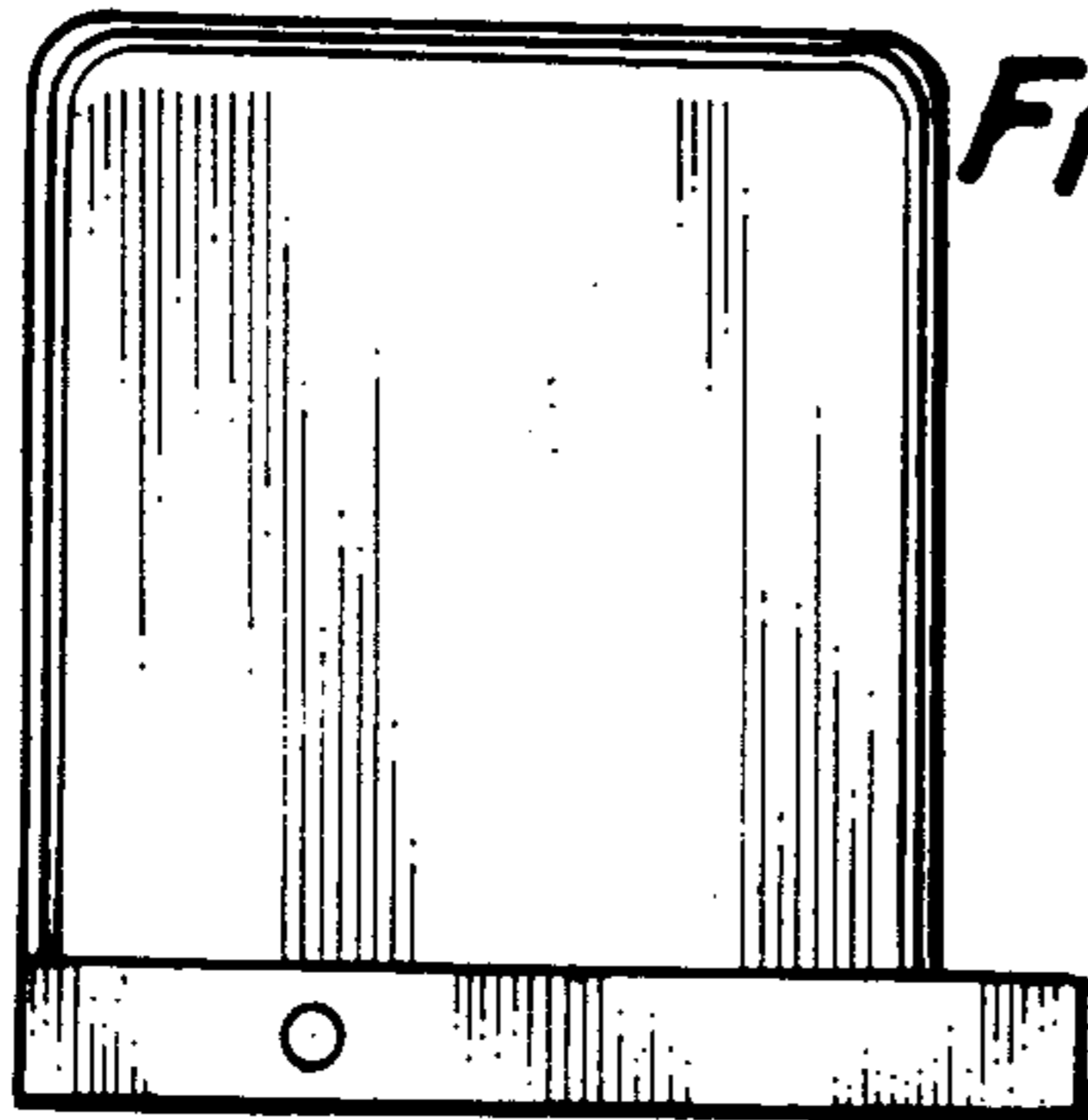


Fig. 4.

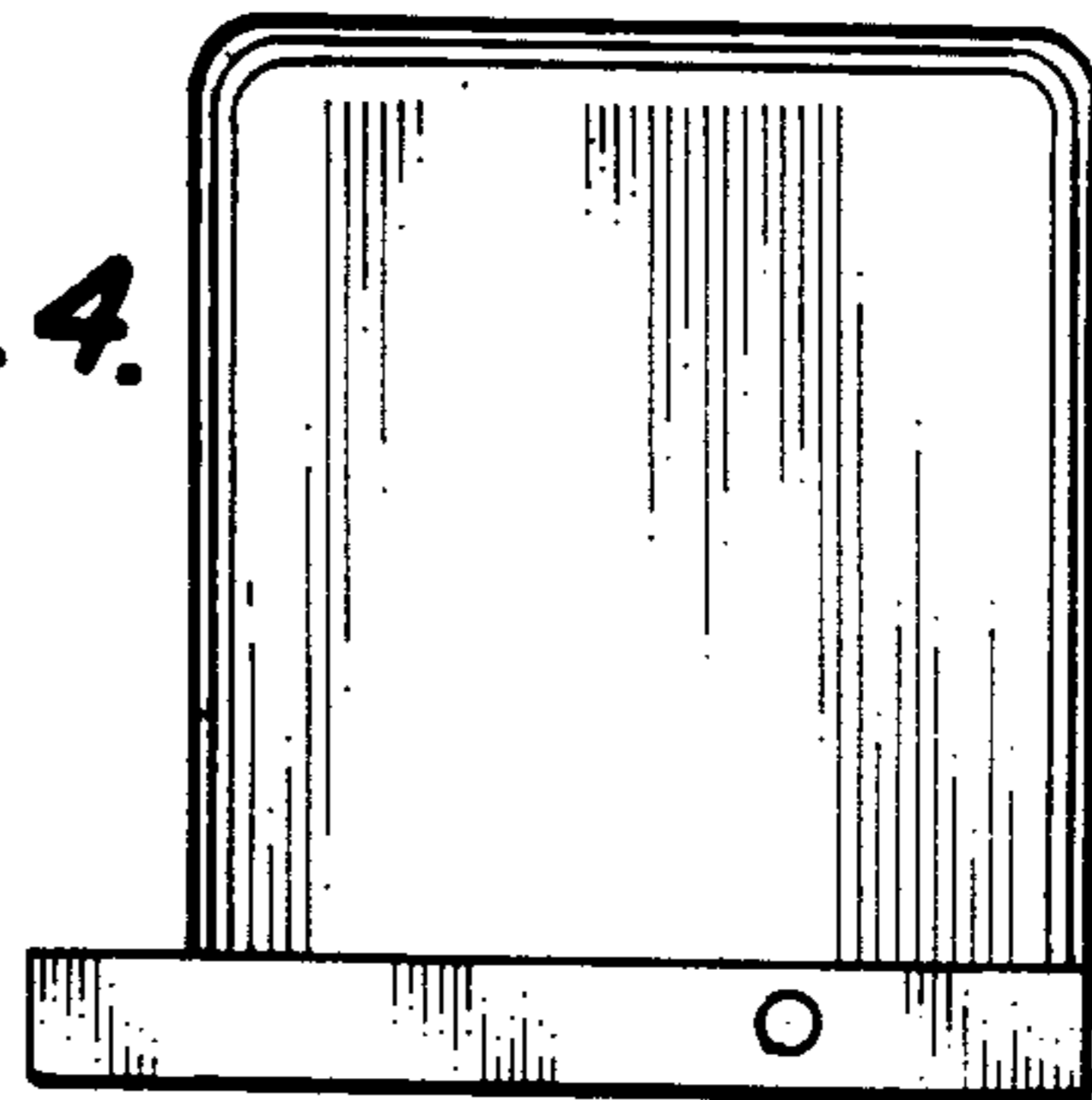


Fig. 5.

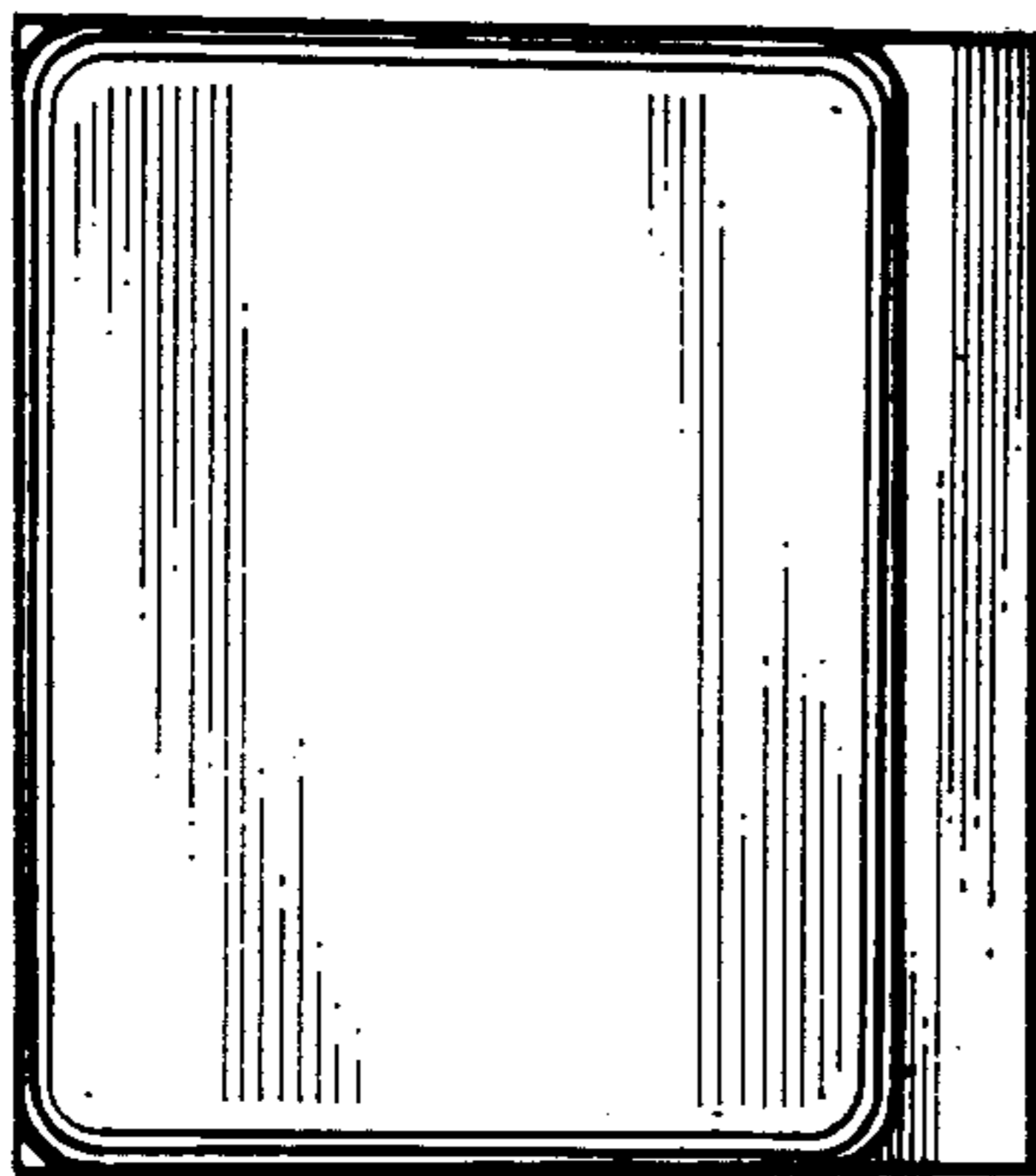


Fig. 6.

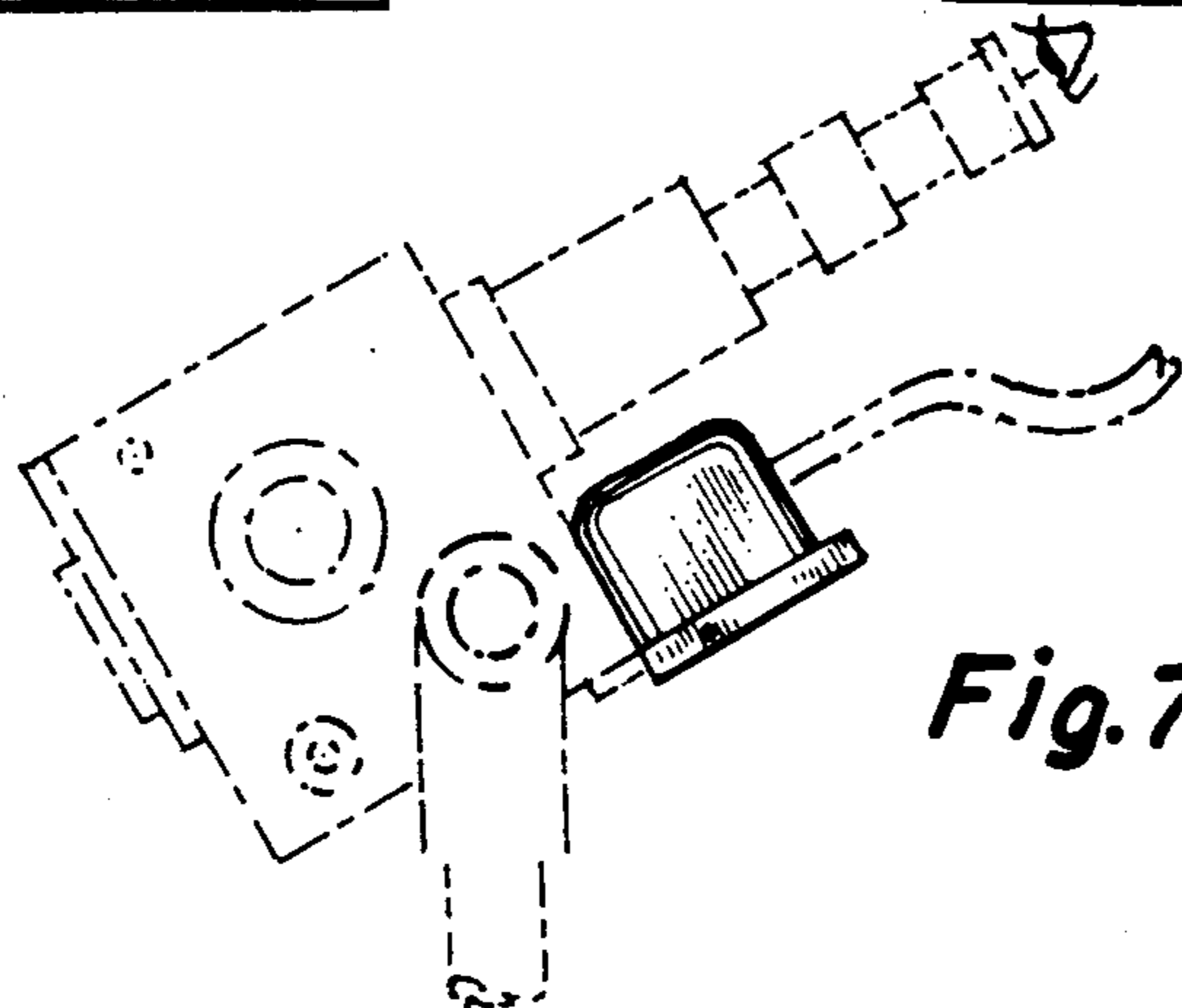
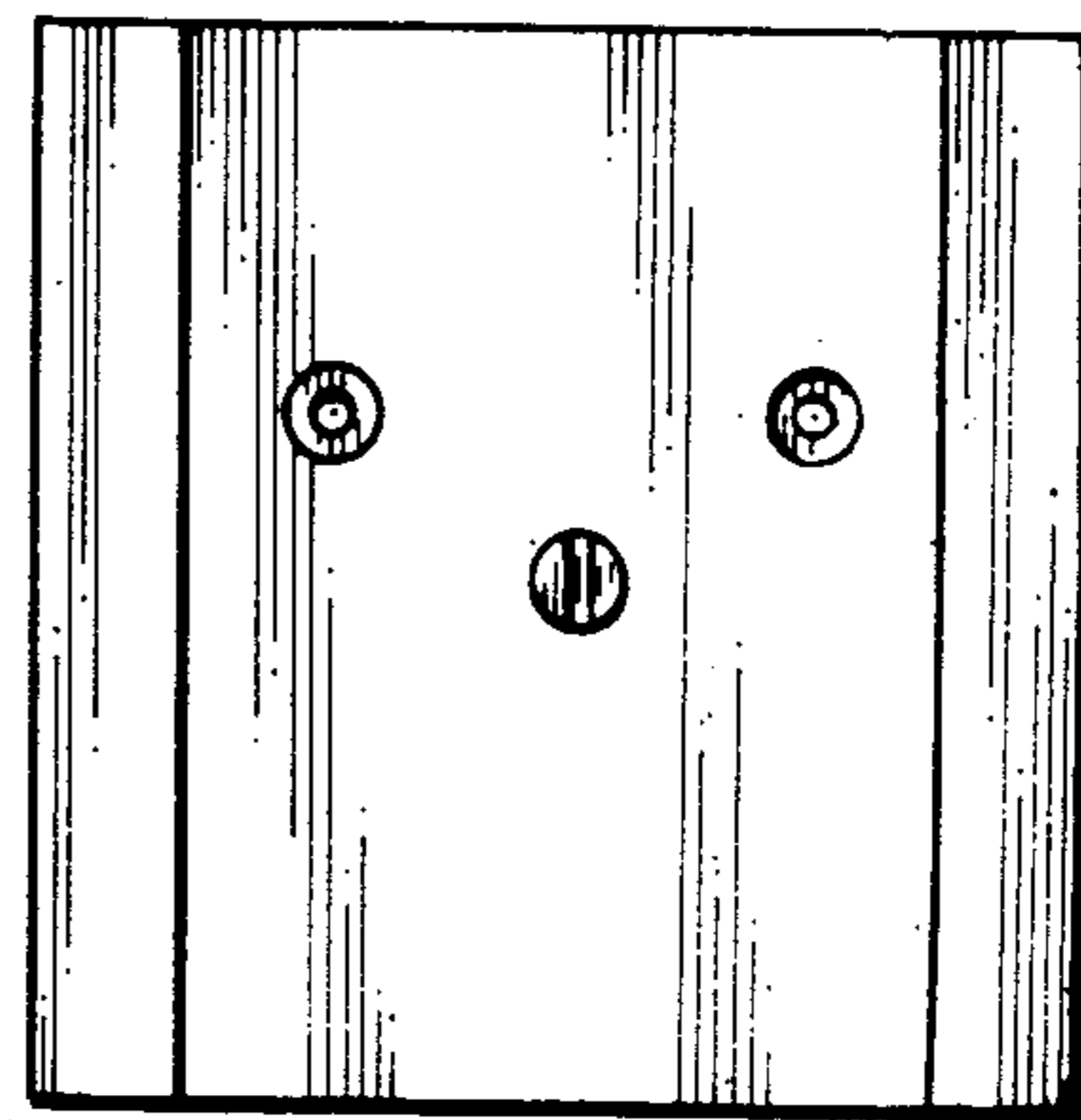


Fig. 7.