

[54] MATERIAL SPREADER AND DISTRIBUTOR

[76] Inventors: James E. Thayer, 423 Franklin St.; Keith Shader, 610 N. Taft Hill Rd., both of Ft. Collins, Colo. 80521

[\*\*] Term: 14 Years

[21] Appl. No.: 827,828

[22] Filed: Aug. 25, 1977

[51] Int. Cl. .... D15-03

[52] U.S. Cl. .... D15/13

[58] Field of Search ..... D15/13; 239/685, 683; 222/614, 623, 608

[56] References Cited

U.S. PATENT DOCUMENTS

991,790	5/1911	Lampke .....	222/623
3,179,297	4/1965	Boglioli .....	222/614
3,648,935	3/1972	Waldrum .....	239/685

FOREIGN PATENT DOCUMENTS

225940 8/1943 Switzerland ..... 222/614

Primary Examiner—James M. Gandy  
Attorney, Agent, or Firm—Hugh H. Drake

[57] CLAIM

The ornamental design for a material spreader and distributor, as shown and described.

DESCRIPTION

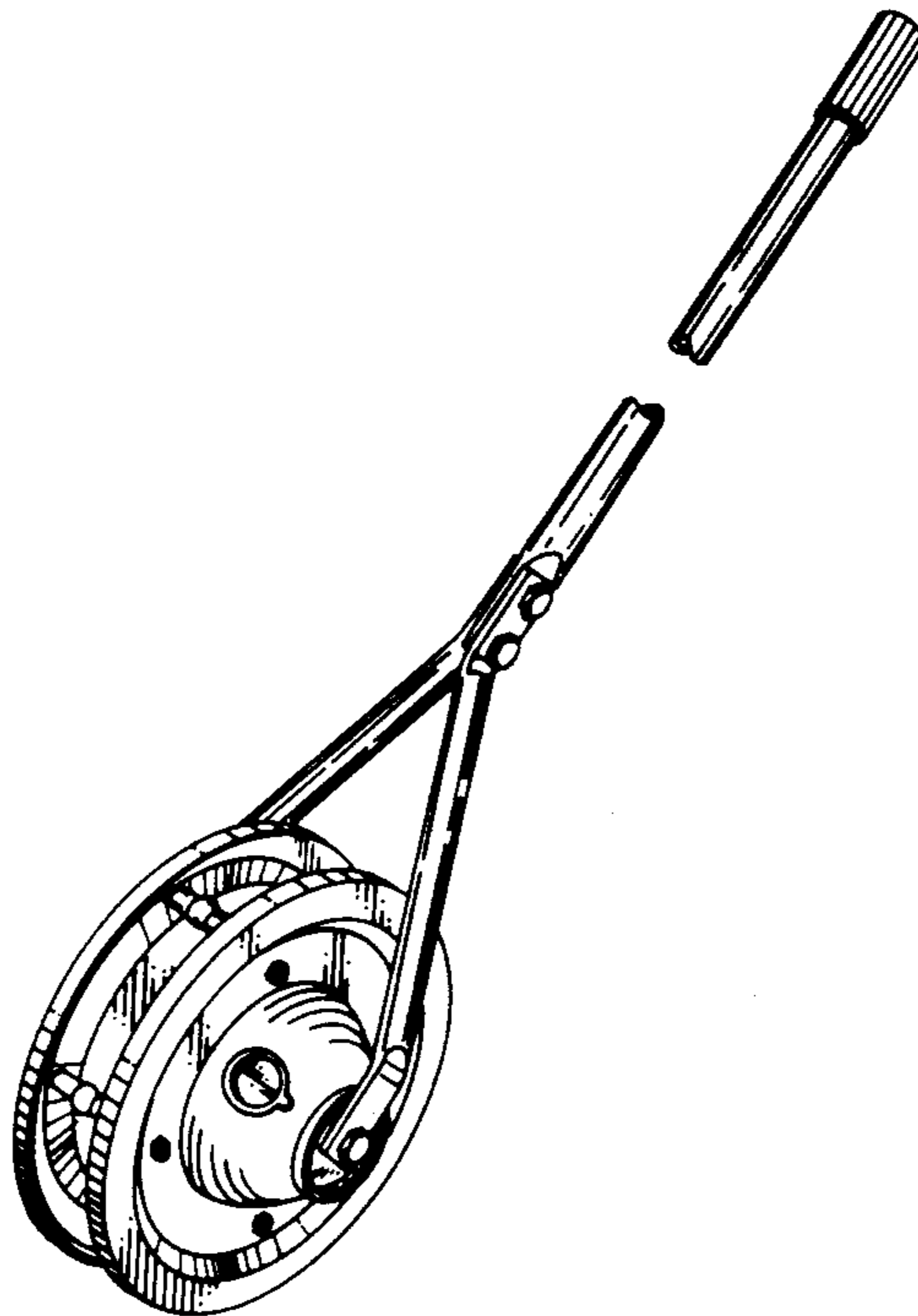
FIG. 1 is a perspective view of a material spreader and distributor showing our new design;

FIG. 2 is an enlarged fragmentary side elevational view thereof of the side opposite that shown in FIG. 1, it being understood that the handle is shown in an alternate position and has been broken away for convenience of illustration;

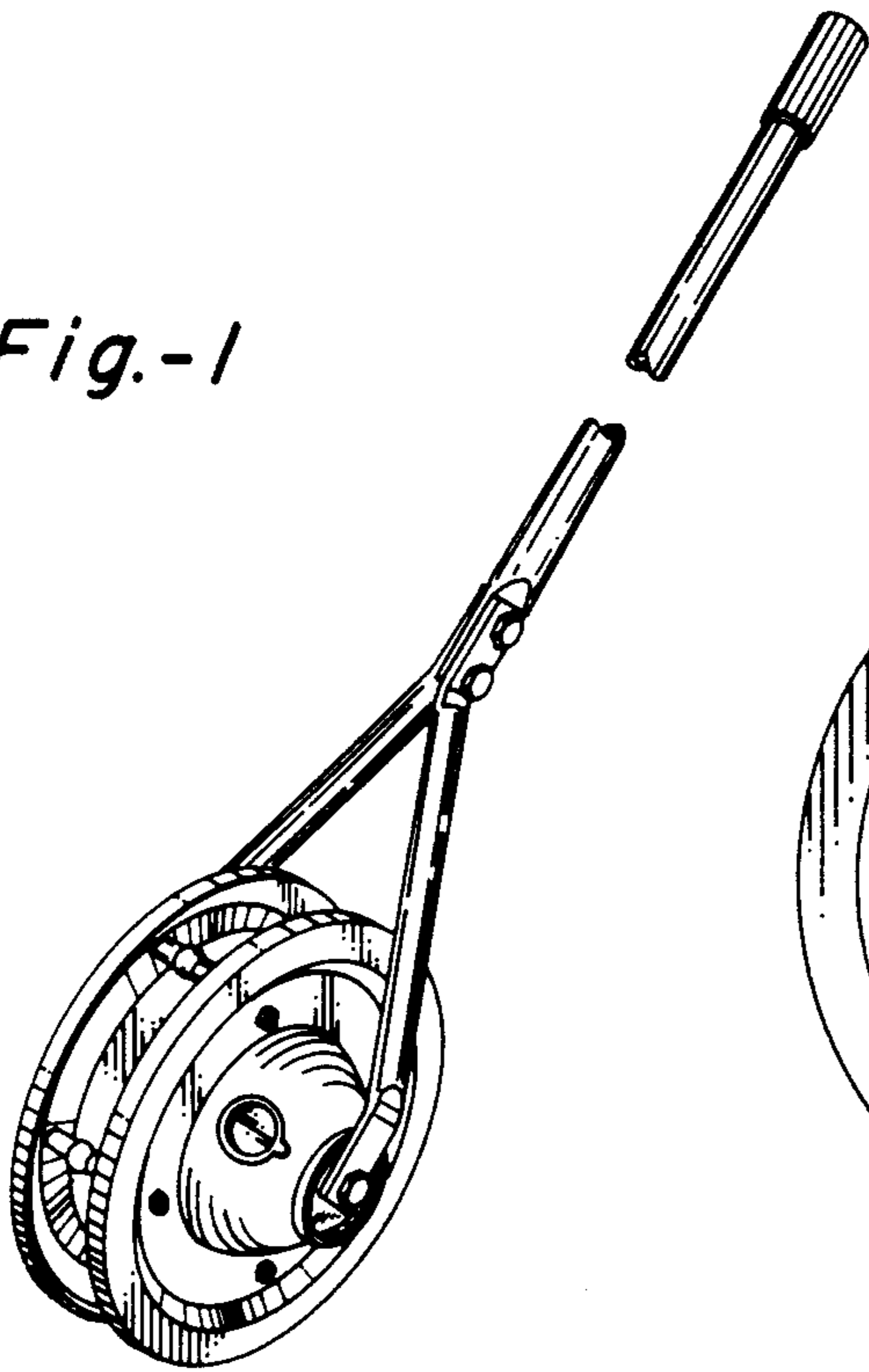
FIG. 3 is an enlarged side elevational view thereof of the side shown in FIG. 1; and

FIG. 4 is an enlarged bottom plan view thereof, it being understood that the top is substantially a mirror image of the bottom.

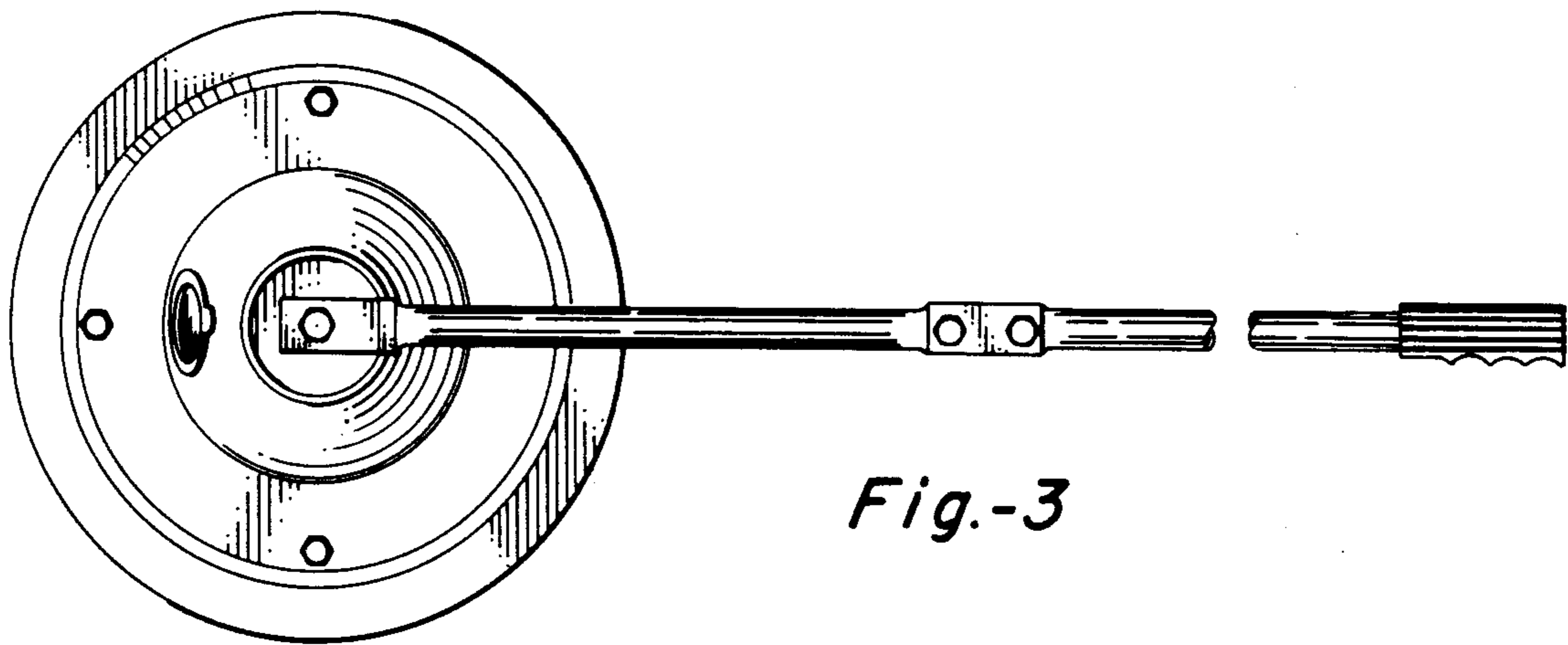
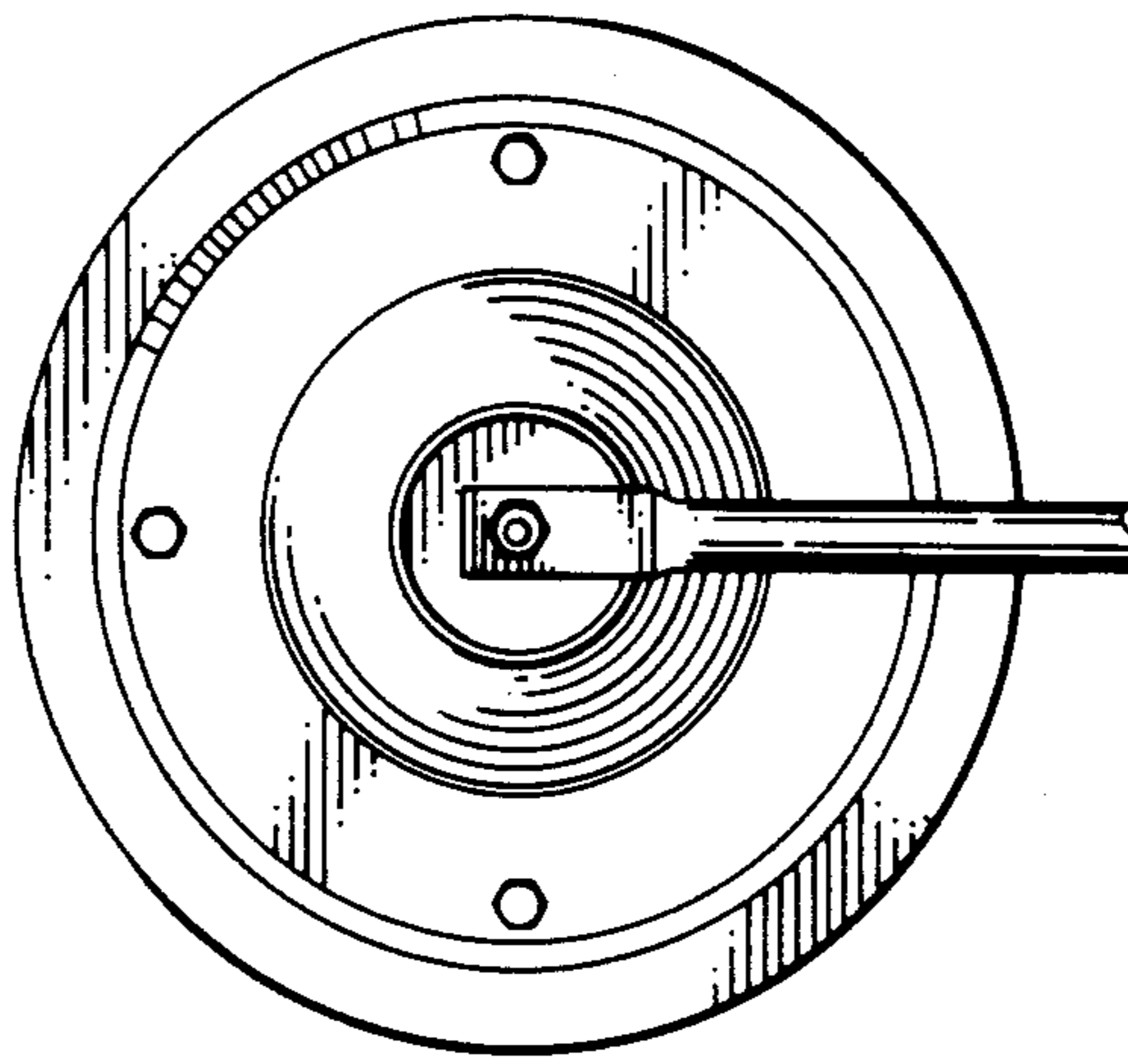
The handle has been broken away in the center in FIGS. 1, 3 and 4 to indicate indeterminate length.



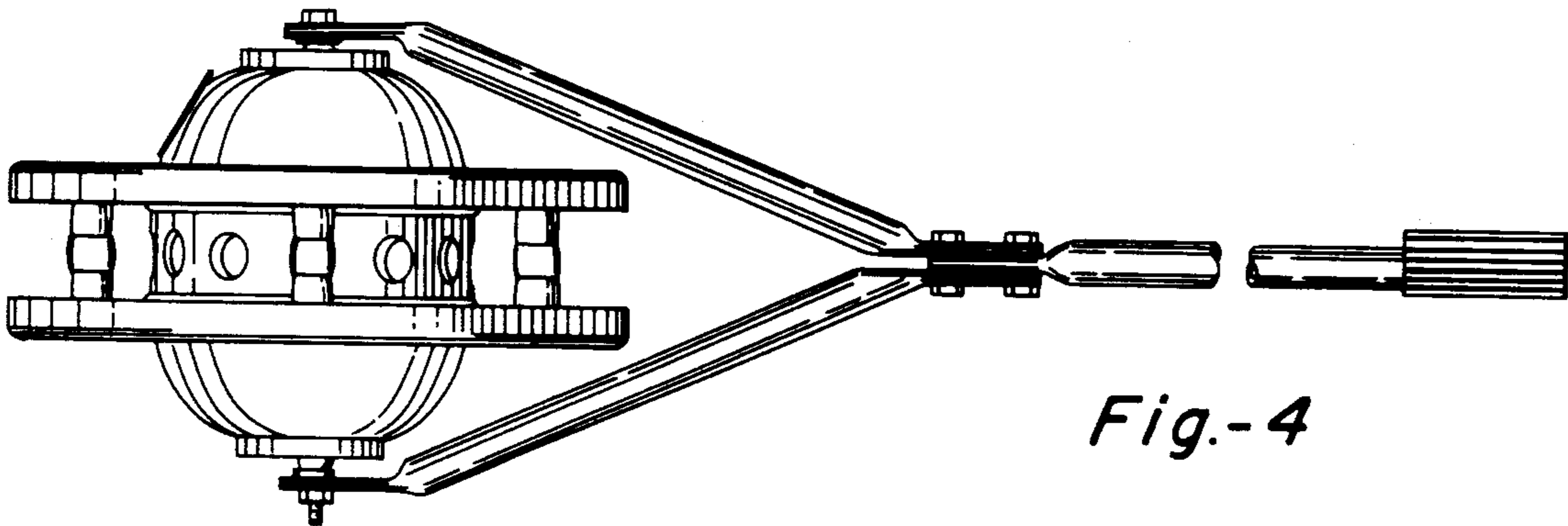
*Fig.-1*



*Fig.-2*



*Fig.-3*



*Fig.-4*