

[54] ANTENNA SUPPORT FOR MODEL AIRPLANE RADIO TRANSMITTERS

2,832,555 4/1958 Terhune ..... 248/170  
2,845,243 7/1958 Mowers et al. .... 248/170 X

[76] Inventor: William J. Colish, 121 Bates Rd., Harrison, N.Y. 10528

Primary Examiner—Bernard Ansher  
Attorney, Agent, or Firm—Jeffrey A. Schwab

[\*\*] Term: 14 Years

[57] CLAIM

[21] Appl. No.: 823,548

The ornamental design for an antenna support for model airplane radio transmitters, substantially as shown and described.

[22] Filed: Aug. 10, 1977

DESCRIPTION

[51] Int. Cl. .... D14-03

[52] U.S. Cl. .... D14/91

[58] Field of Search ..... 248/168, 170, 536, 539; D14/90, 91; D8/57

FIG. 1 is a top plan view of an antenna support for model airplane radial transmitters showing my new design;

FIG. 2 is a side elevation thereof;

FIG. 3 is a front elevation thereof; and

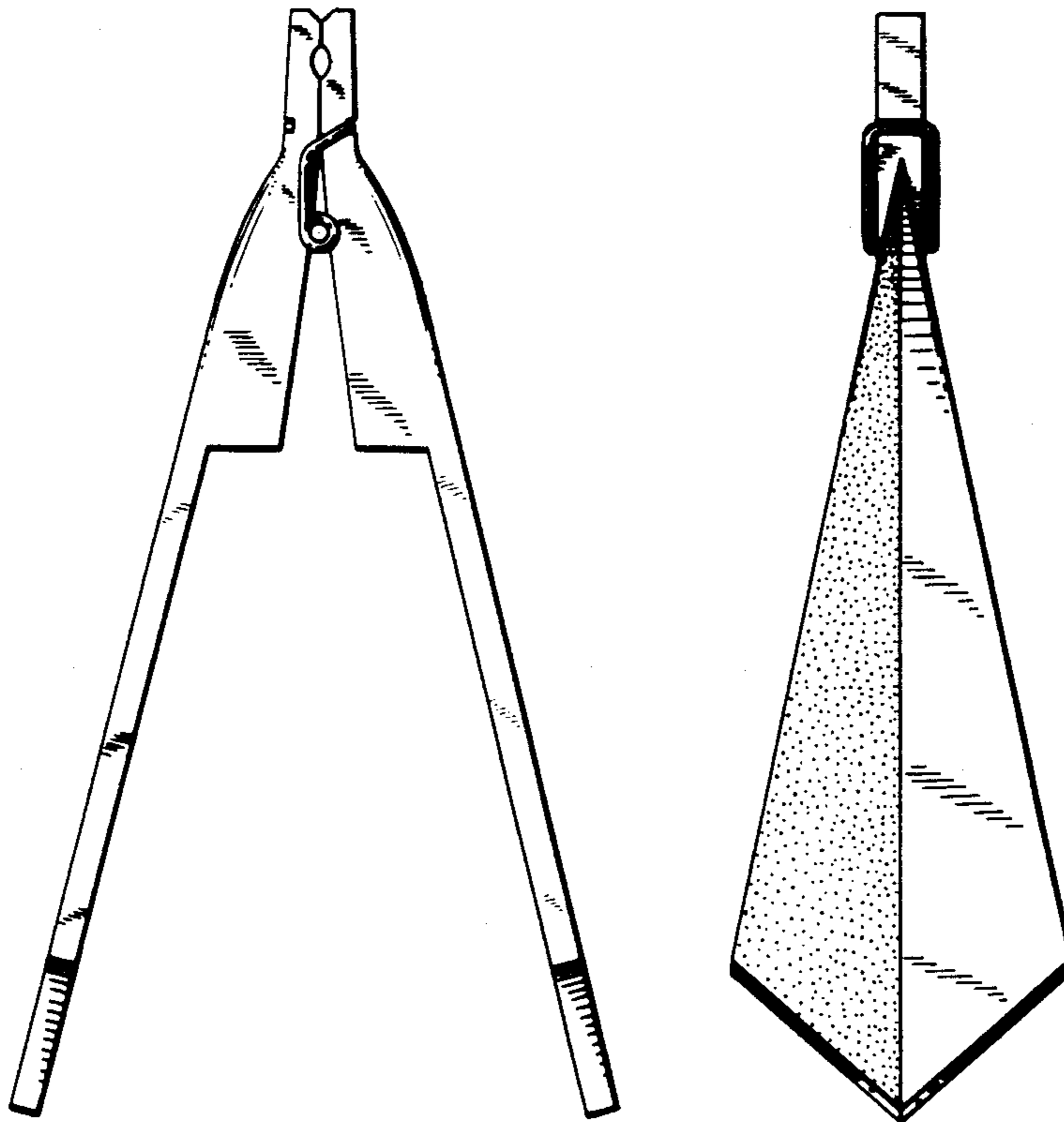
FIG. 4 is a bottom plan view thereof.

The drawings indicate a contrasting surface on the support legs of my antenna support for model airplane radio transmitters.

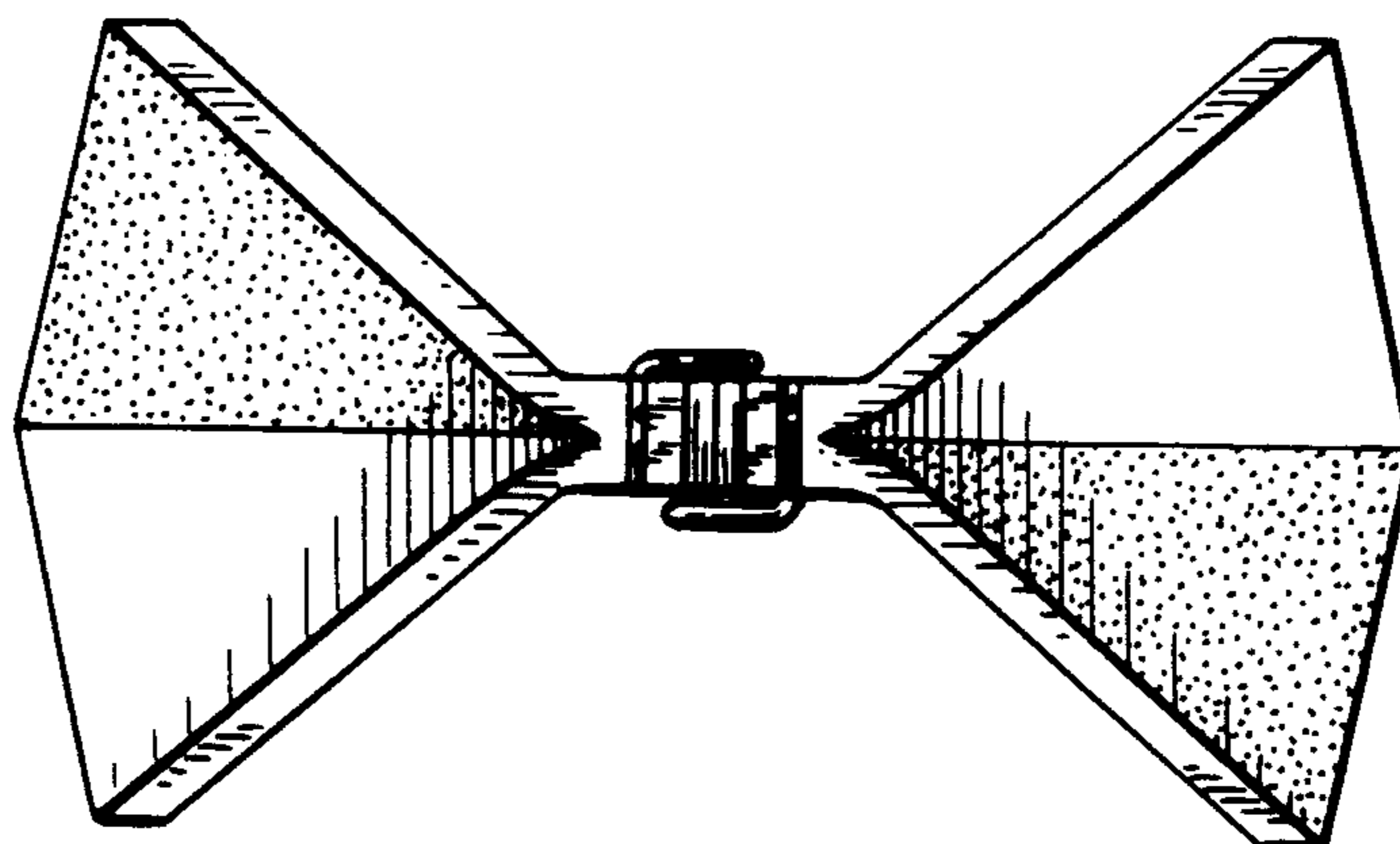
[56] References Cited

U.S. PATENT DOCUMENTS

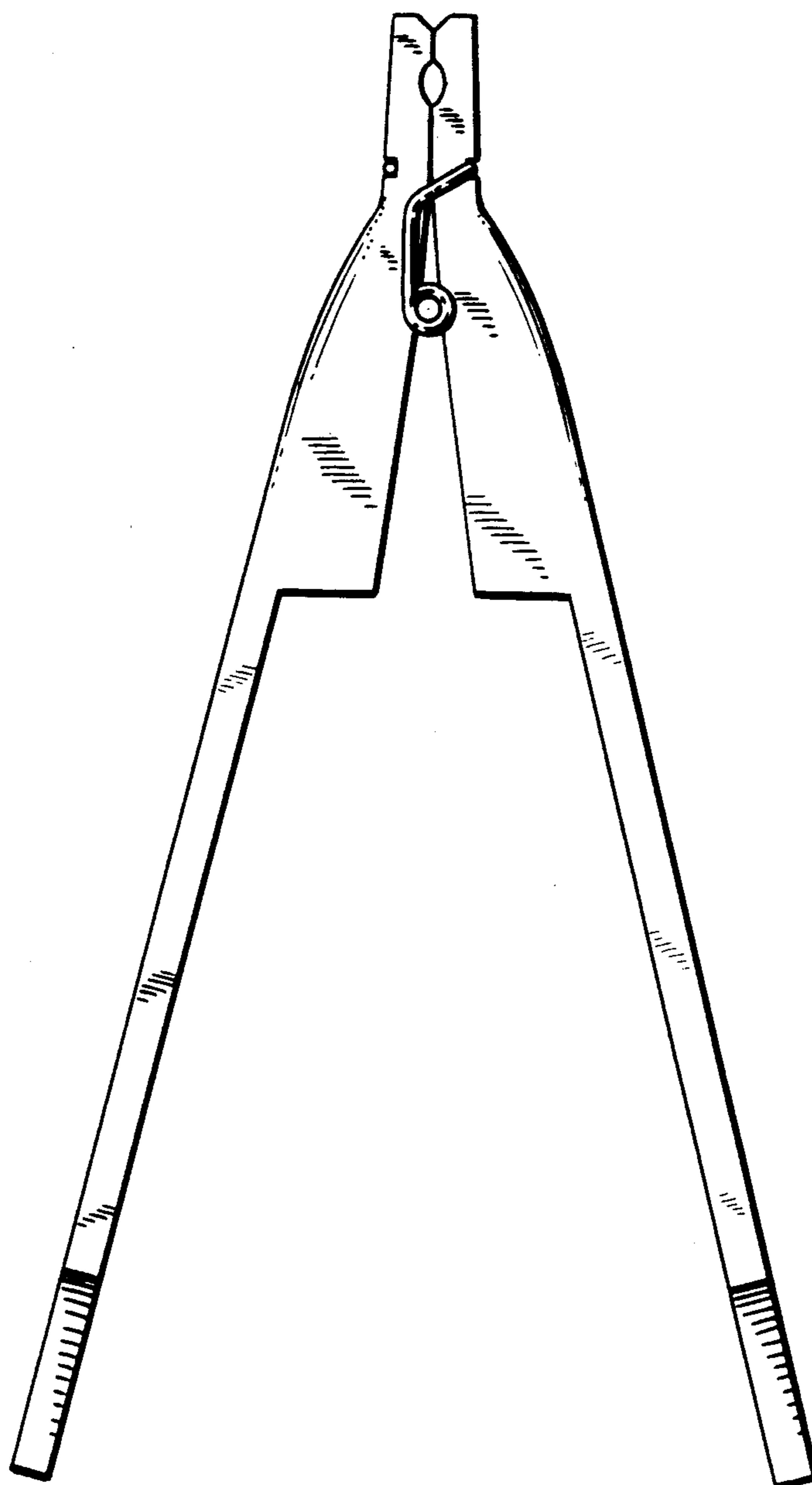
D. 223,638 5/1972 Smith ..... D16/45  
D. 230,607 3/1974 Martin ..... D14/91



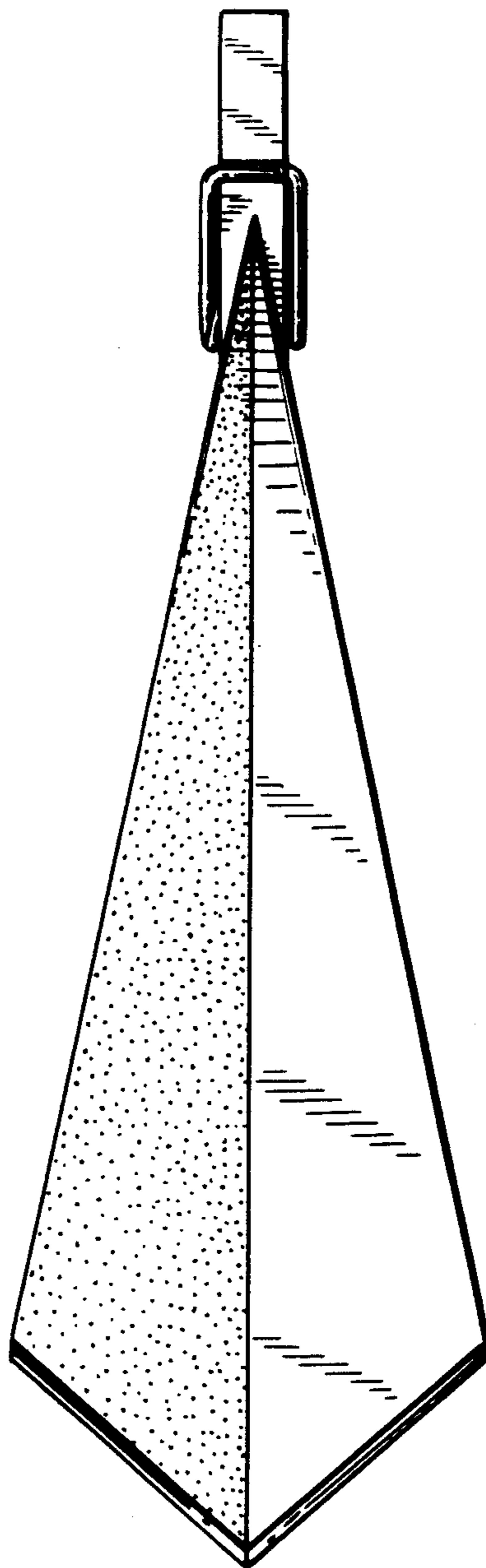
*FIG. 1*



*FIG. 2*



*FIG. 3*



*FIG. 4*

