

[54] SHELF BRACKET

[75] Inventor: Richard C. Smith, Bloomington, Minn.

[73] Assignee: R. C. Smith Company, Bloomington, Minn.

[\*\*] Term: 14 Years

[21] Appl. No.: 874,272

[22] Filed: Feb. 1, 1978

[51] Int. Cl. .... D8-08

[52] U.S. Cl. .... D8/381

[58] Field of Search ..... 248/235, 247, 248, 345.1; D8/380, 381

[56] References Cited

U.S. PATENT DOCUMENTS

3,085,693	4/1963	Shell .....	248/248 X
3,537,671	11/1970	Wenthe .....	248/247
3,707,273	12/1972	Bertz .....	248/345.1 X

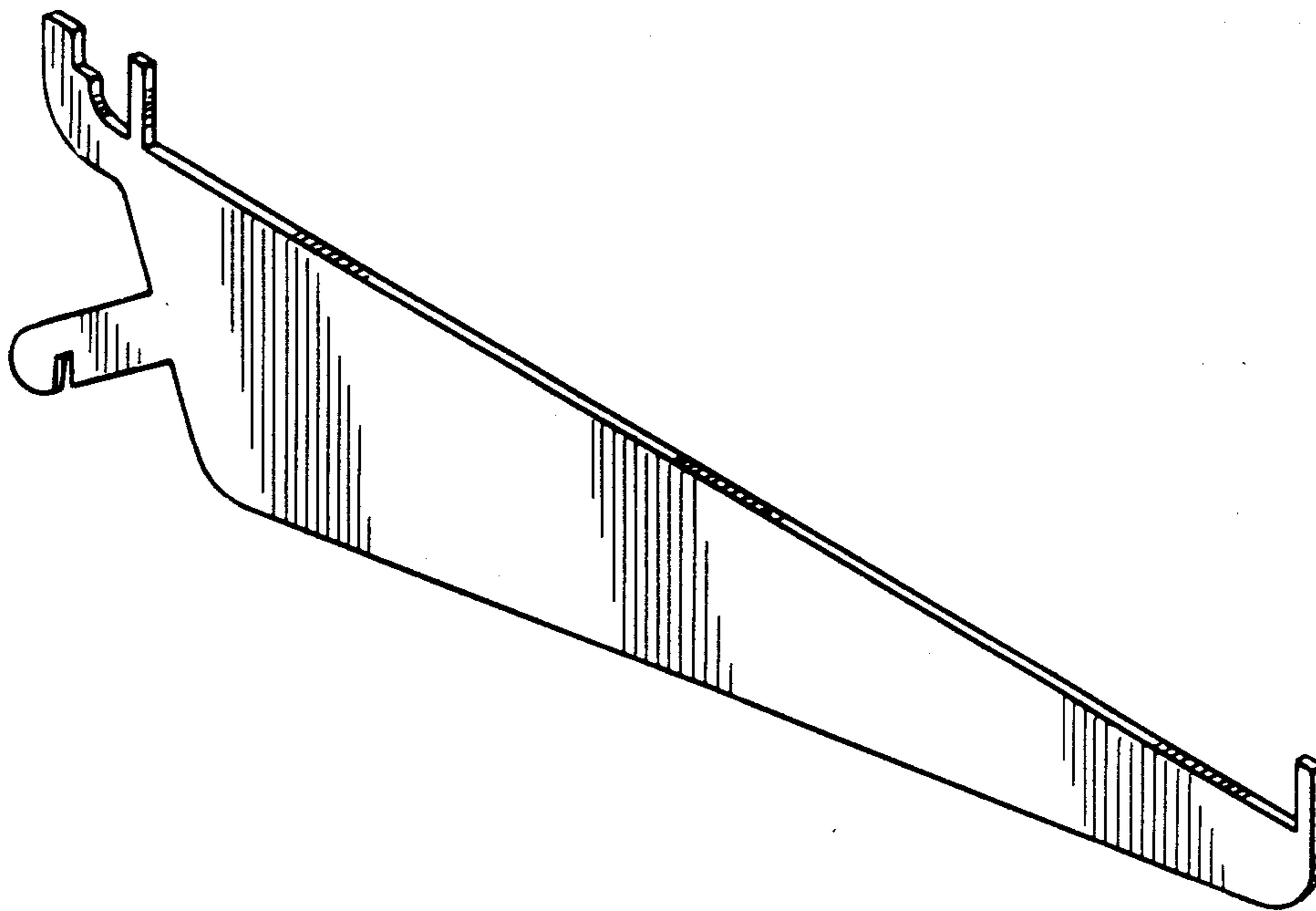
Primary Examiner—A. Hugo Word  
Attorney, Agent, or Firm—James R. Haller

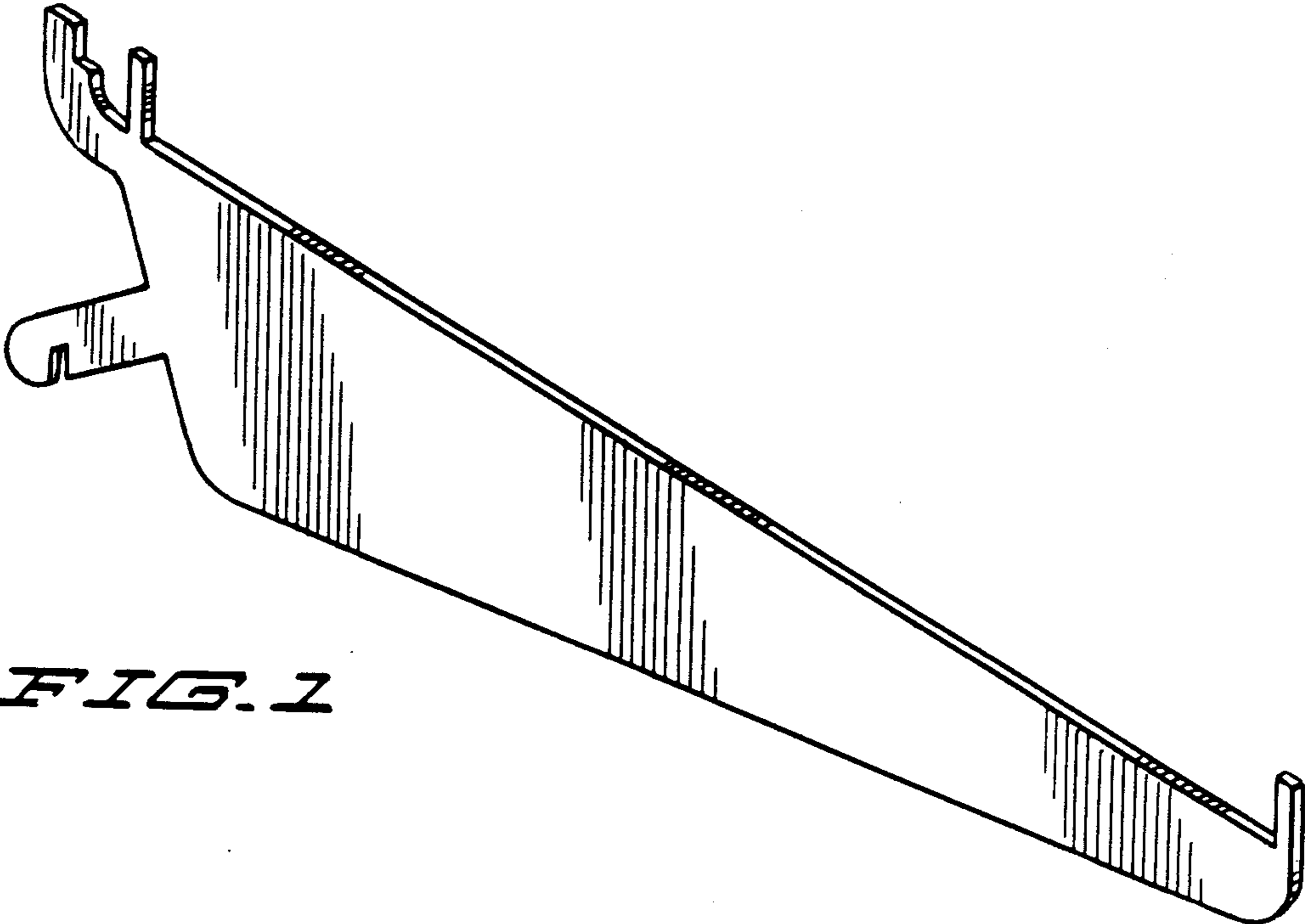
[57] CLAIM

The ornamental design for a shelf bracket, as shown and described.

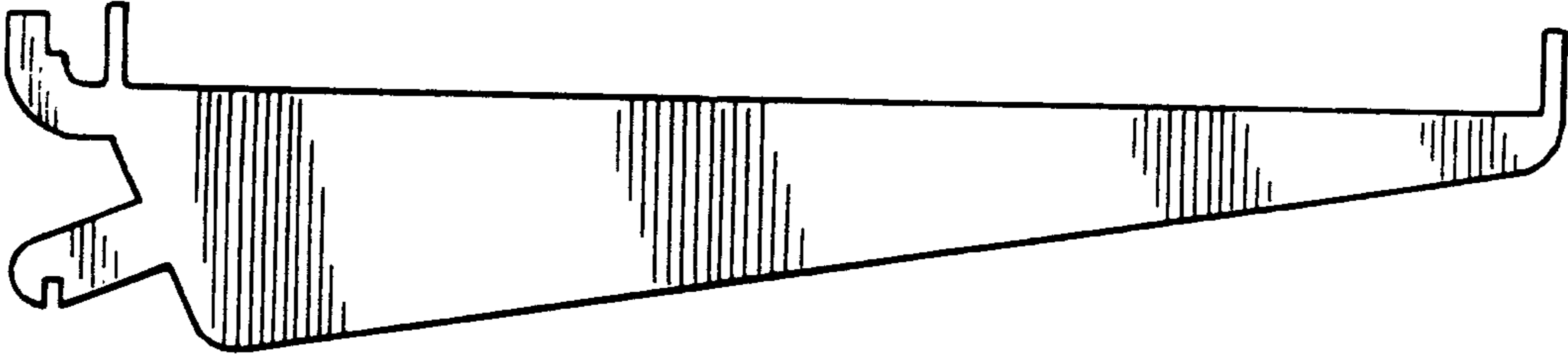
DESCRIPTION

FIG. 1 is a perspective view of the bracket of the invention; and  
FIG. 2 is a side view thereof, the reverse side being a mirror image.





*FIG. 1*



*FIG. 2*