

[54] **BLADE FOR A MORTAR HOE**
 [76] Inventor: **John Polc**, 18 Hemlock St., Bairdford, Pa. 15006
 [51] Int. Cl. **D8-01**
 [52] U.S. Cl. **D8/11**
 [58] Field of Search **D8/11; 172/371; 56/400.19; 294/49, 55**

1,127,440 2/1915 Holmes 172/371
 1,845,222 2/1932 Birn 172/371
 3,672,716 6/1972 Burckhalter 56/400.19

OTHER PUBLICATIONS

Goldblatt Trowel Trade Tools, ©1973, p. 42, Motor Hoe.

Primary Examiner—Bernard Ansher
Attorney, Agent, or Firm—Thomas C. Wettach

CLAIM

The ornamental design for blade for a mortar hoe, as shown.

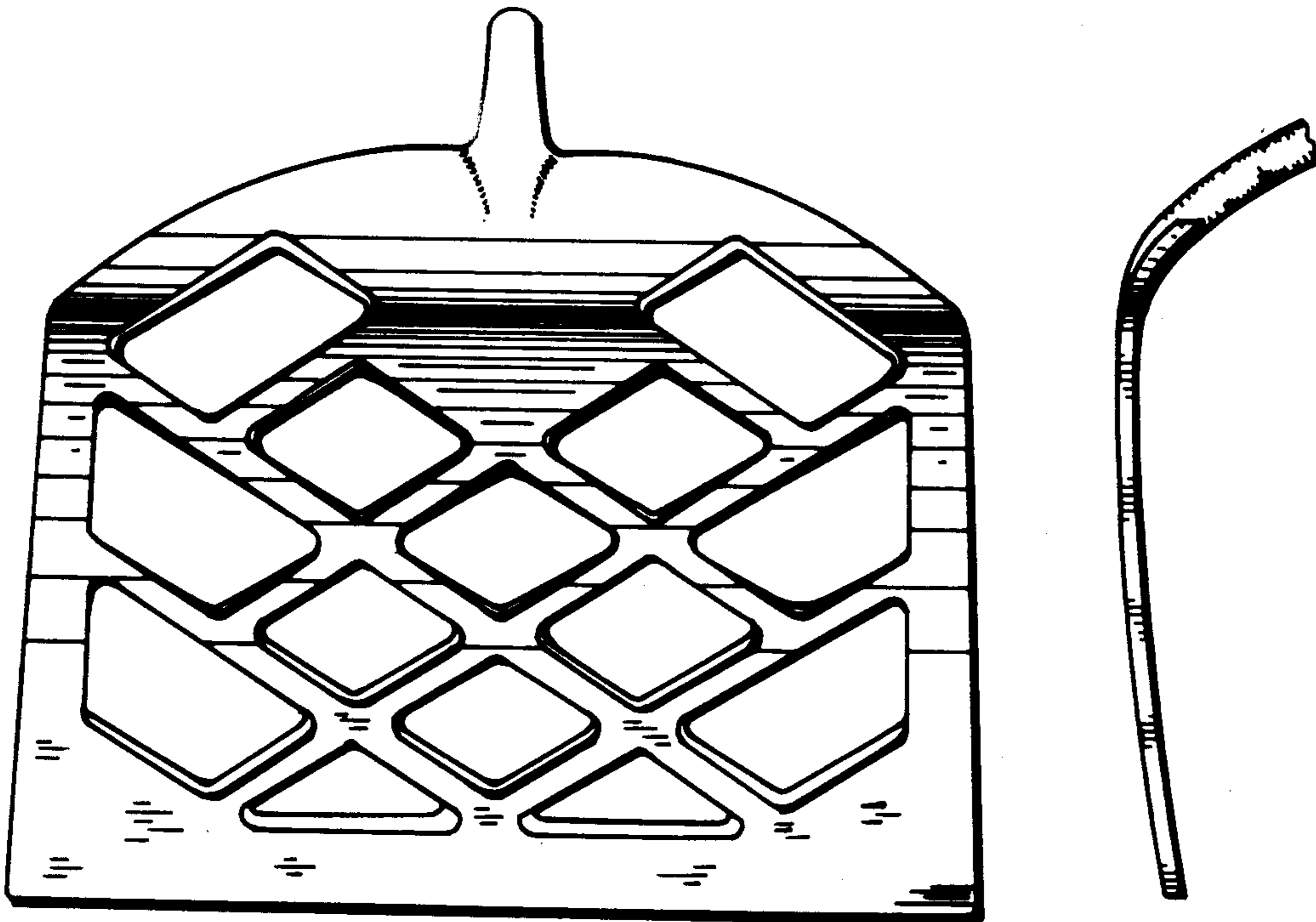
References Cited

U.S. PATENT DOCUMENTS

[56] D. 246,498 11/1977 Polc D8/11
 865,150 9/1907 Anderson 172/371

DESCRIPTION

FIG. 1 is a front elevation of a blade for a mortar hoe showing my new design; and FIG. 2 is a side elevation thereof.



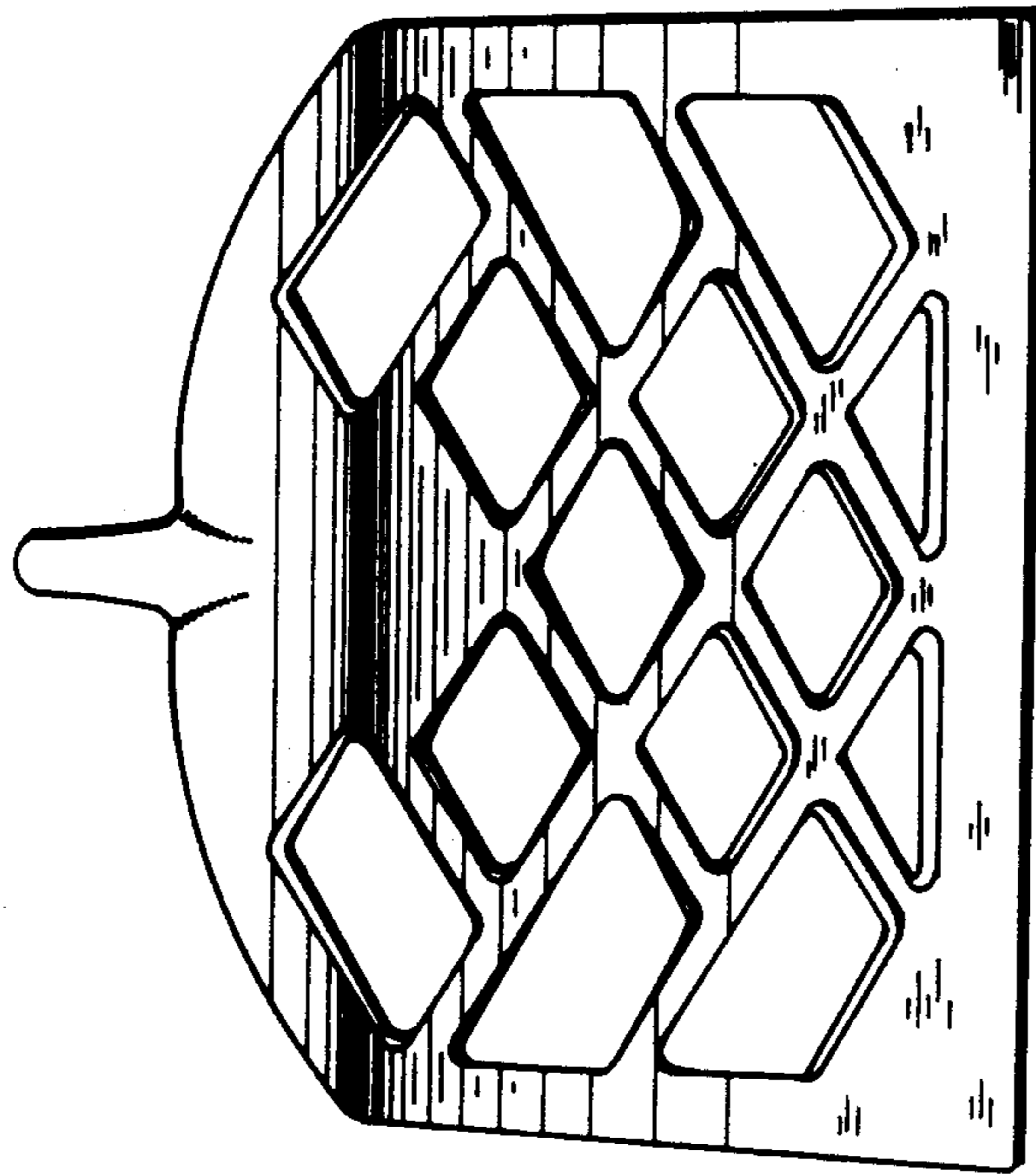


FIG 1



FIG 2