

[54] CABINET FOR A CARD FILE DRAWER

[75] Inventors: Gary A. Dolphin, Sr.; James F. Hampshire; Greg P. Terek, all of Winchester, Va.

[73] Assignee: Rubbermaid Commercial Products Inc., Winchester, Va.

[**] Term: 14 Years

[21] Appl. No.: 856,322

[22] Filed: Dec. 1, 1977

[51] Int. Cl. D6-06

[52] U.S. Cl. D6/191; D19/76

[58] Field of Search D19/65, 75, 76, 78, D19/86, 90, 92, 99; 206/425, 557; D6/158, 167, 191; 220/22.1, 22.5

[56] References Cited

U.S. PATENT DOCUMENTS

D. 225,943	1/1973	Christen	D6/158
D. 248,705	8/1978	Thomas	D6/167
3,049,126	8/1962	Myers	220/22.3

Primary Examiner—Joel Stearman
Assistant Examiner—George P. Word
Attorney, Agent, or Firm—Hamilton, Renner & Kenner

[57] CLAIM

The ornamental design for a cabinet for a card file drawer, as shown and described.

DESCRIPTION

FIG. 1 is a perspective view of a cabinet for a card file drawer showing our new design.

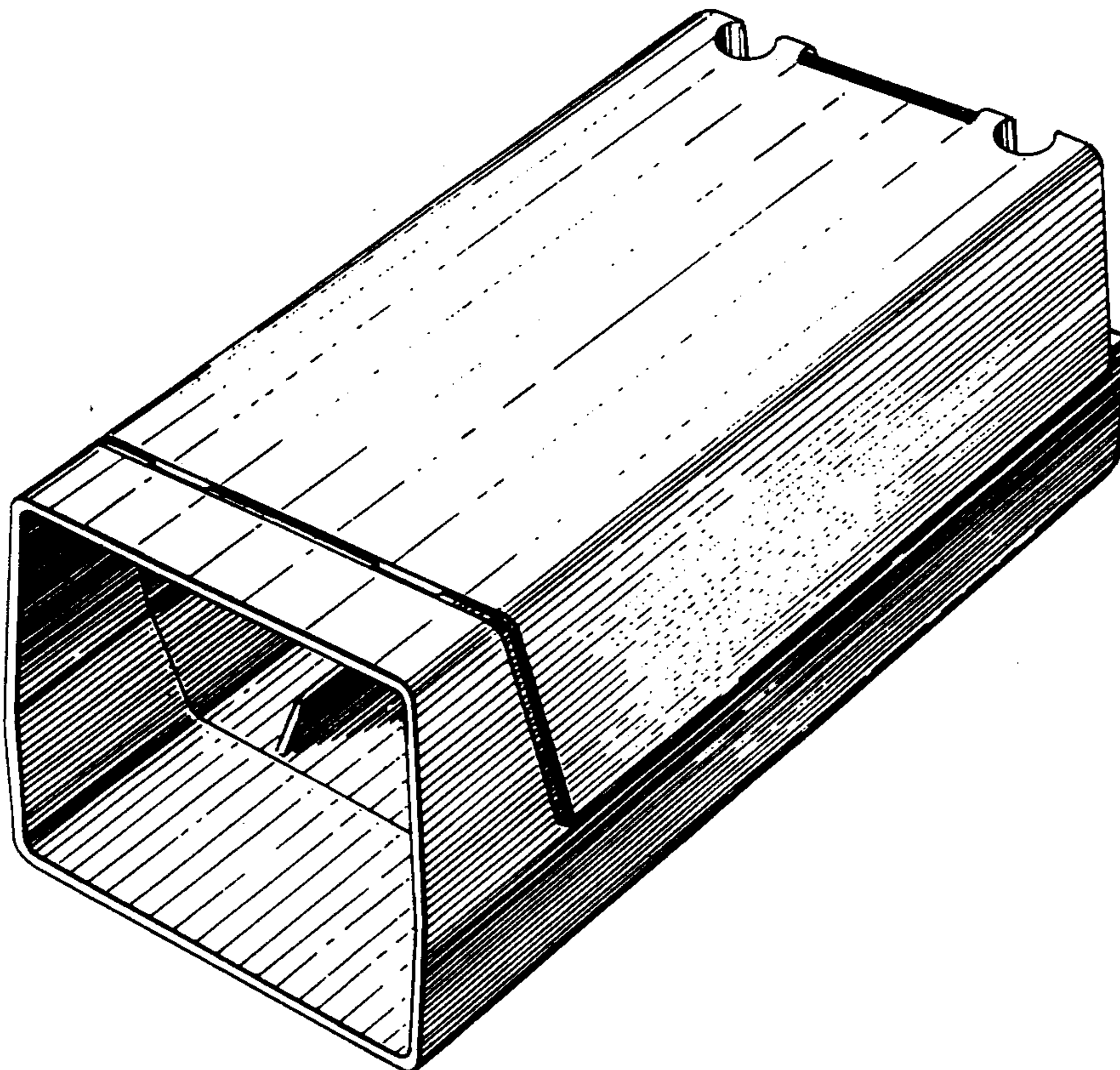
FIG. 2 is an exploded perspective view thereof.

FIG. 3 is a bottom plan view of the top portion.

FIG. 4 is a bottom plan view of the bottom portion.

FIG. 5 is a rear elevational view of FIG. 1.

The near inside surface of the bottom portion in FIG. 2 is provided with a longitudinal vertically disposed rib identical to and parallel with the rib shown.



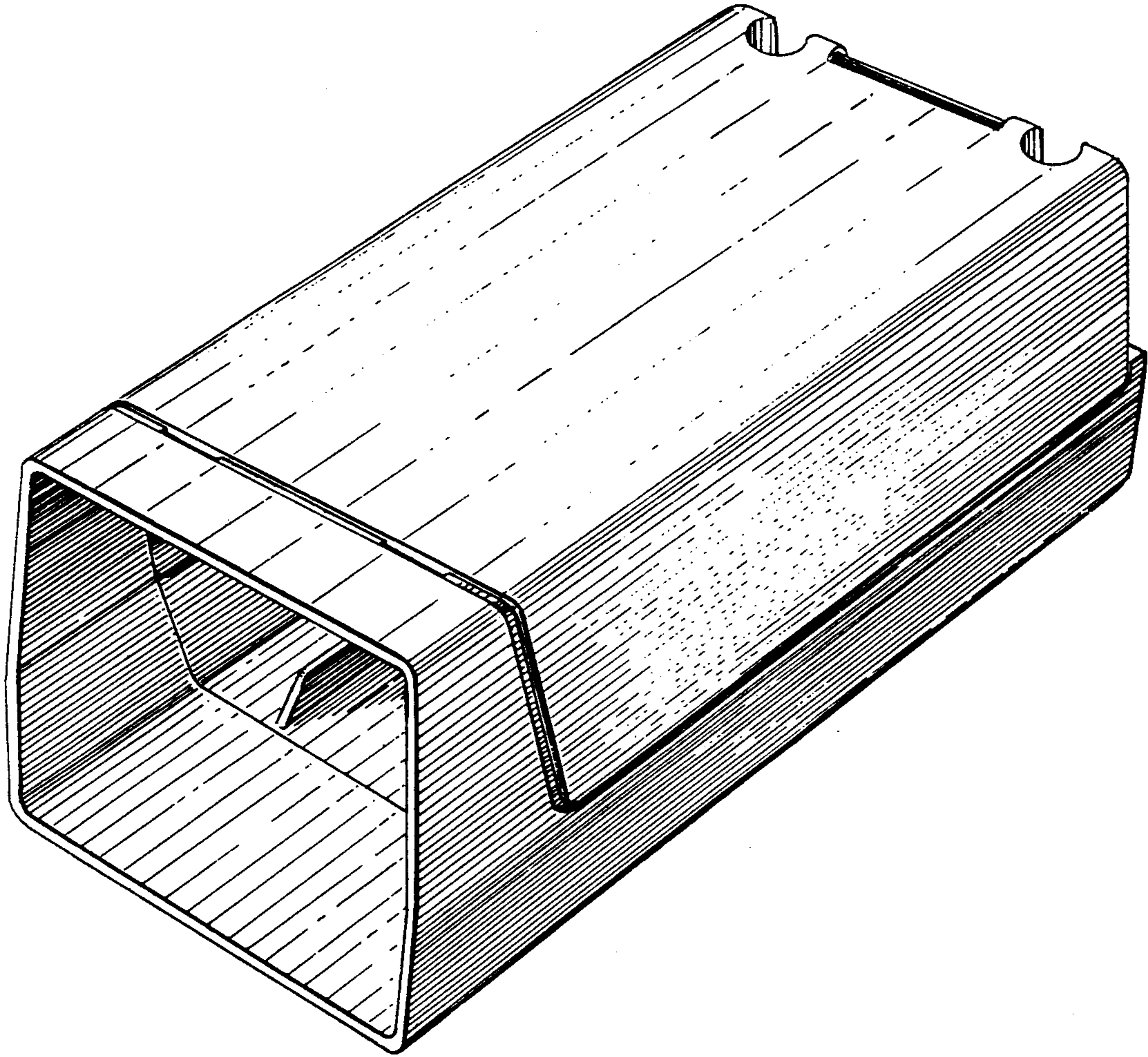


FIG. 1

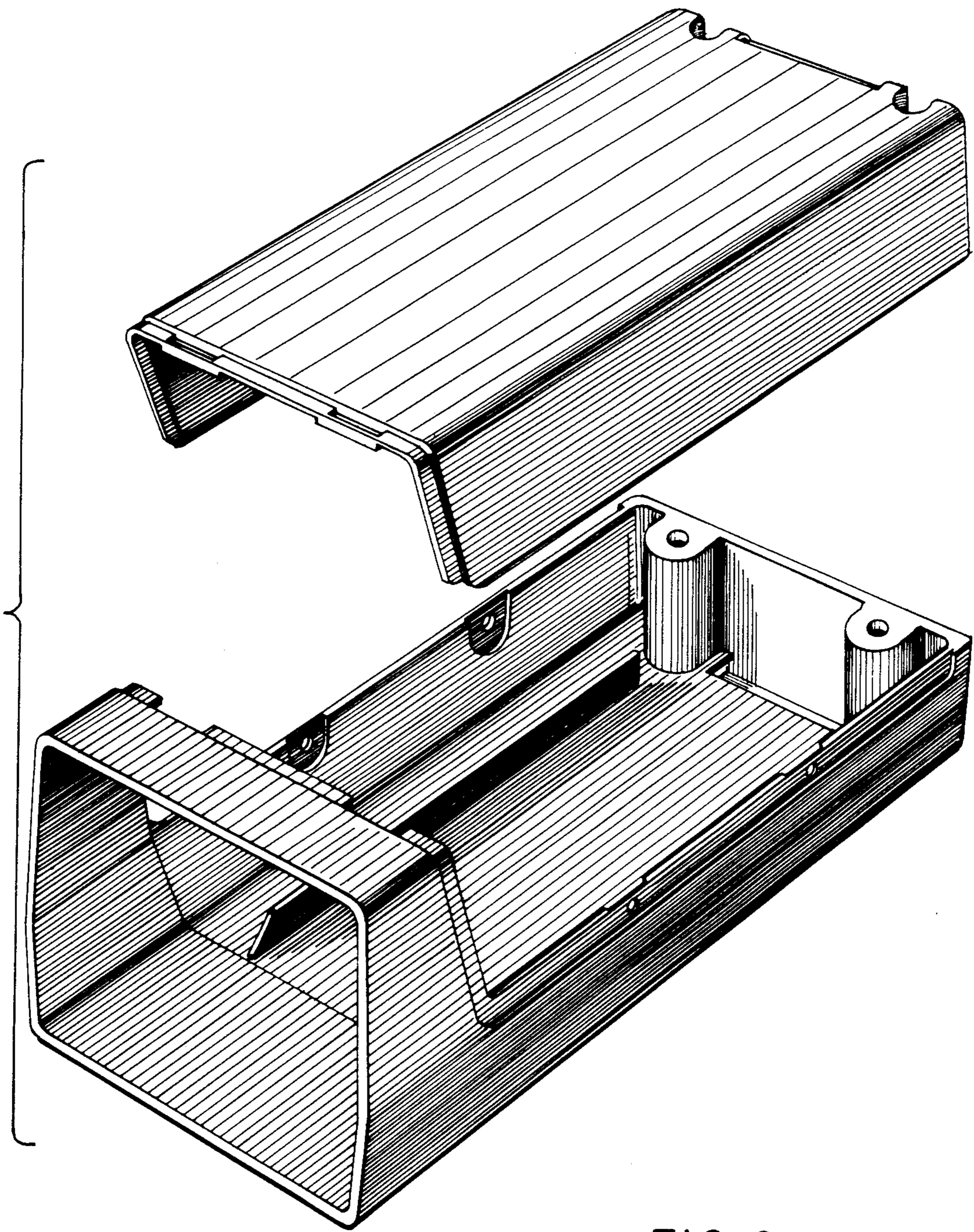


FIG. 2

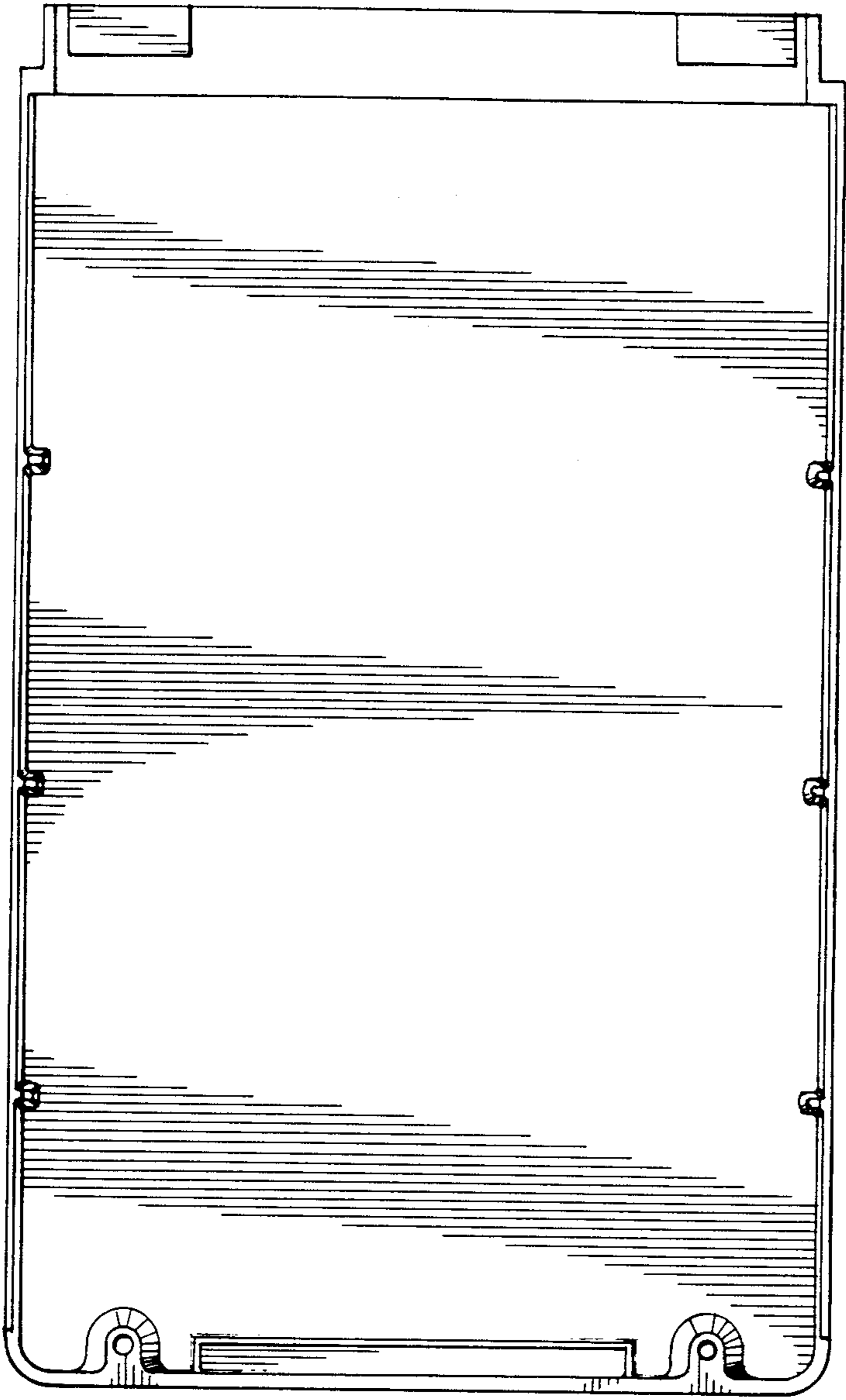


FIG. 3

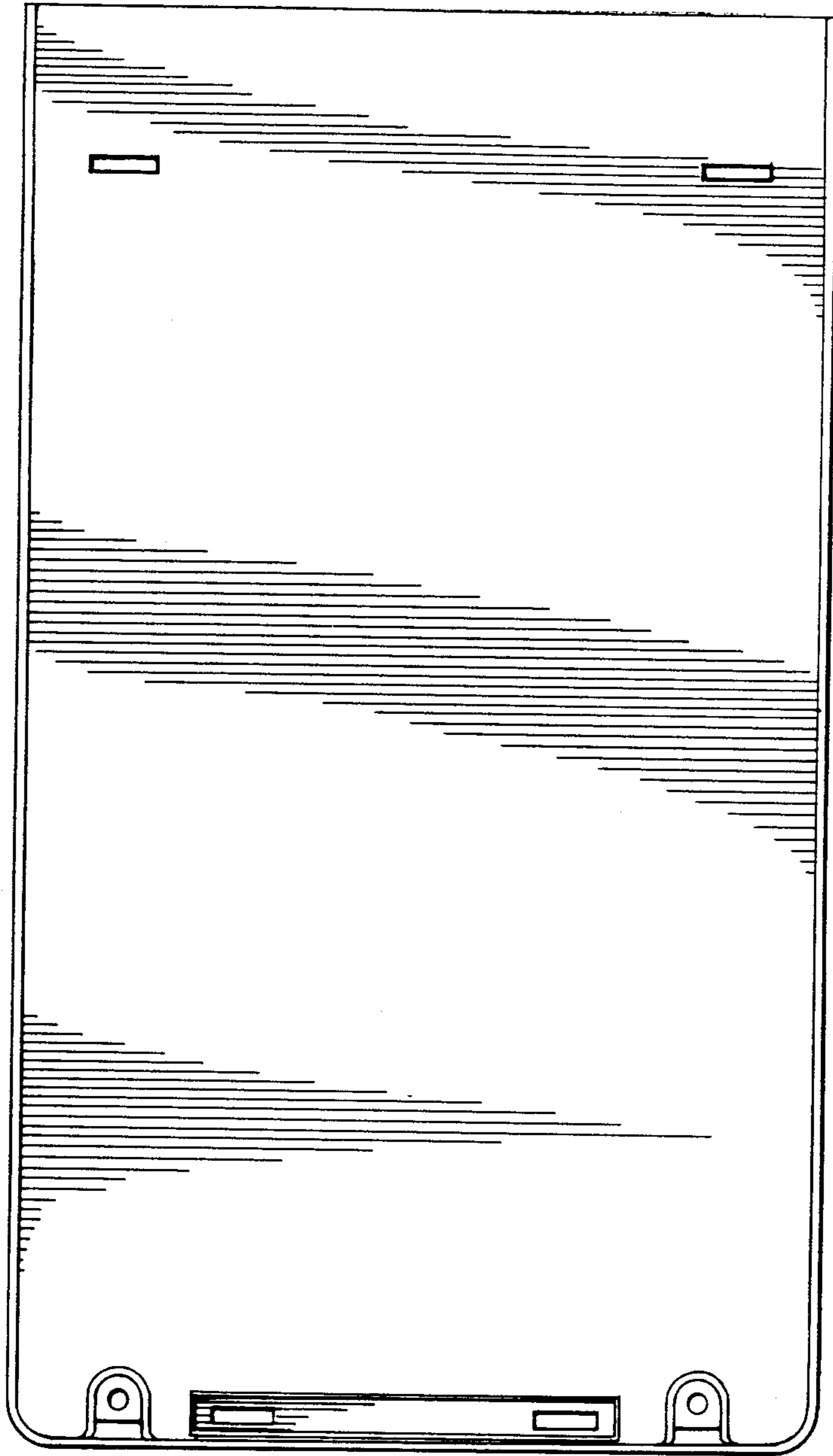


FIG. 4

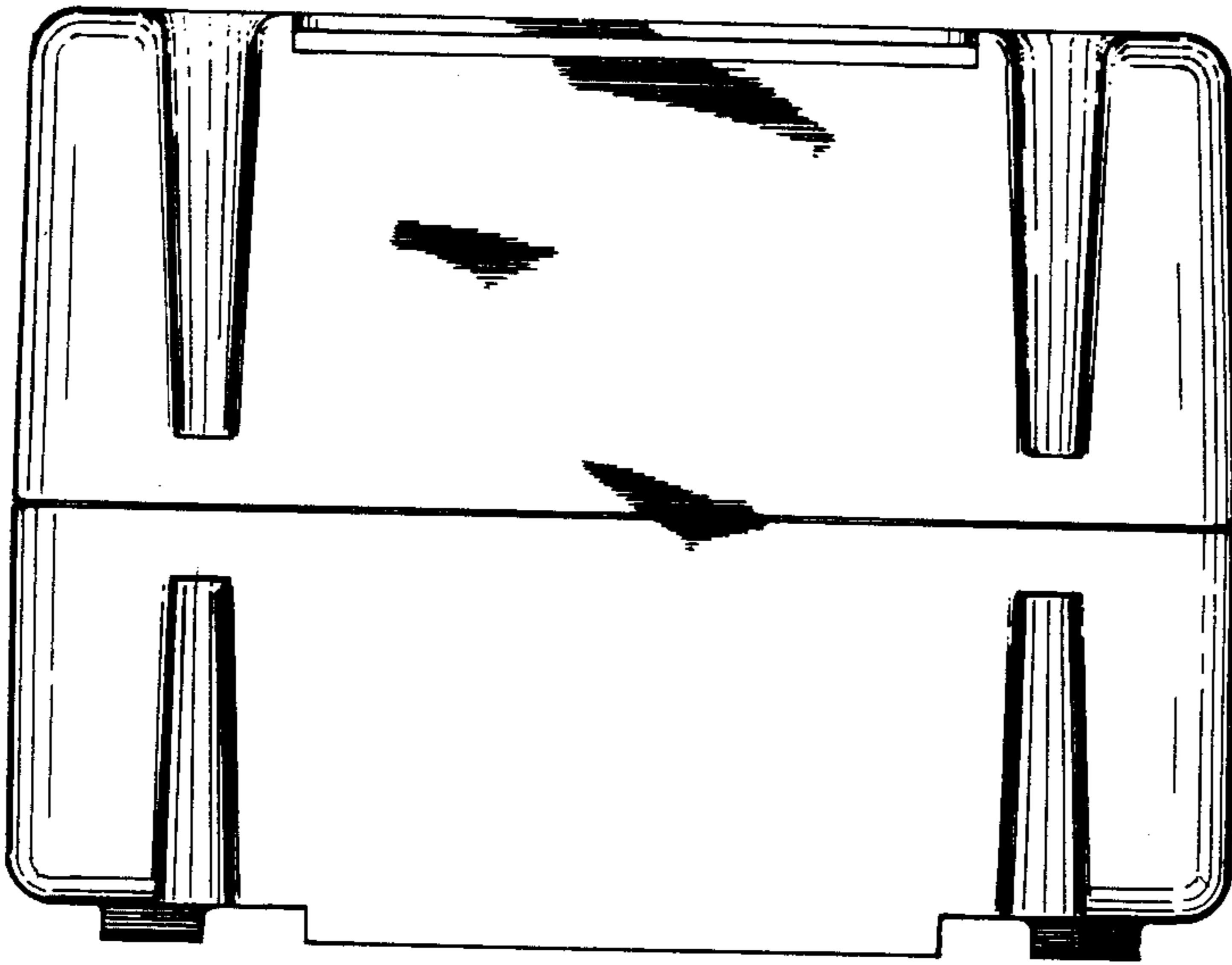


FIG. 5