

[54] WELDING OUTLET

[75] Inventor: John P. Tableriou, Houston, Tex.

[73] Assignee: WFI International, Inc., Houston, Tex.

[**] Term: 14 Years

[21] Appl. No.: 829,644

[22] Filed: Sep. 1, 1977

[51] Int. Cl. D23-01

[52] U.S. Cl. D23/40

[58] Field of Search D23/40-47; 285/189, 286

[56] References Cited

U.S. PATENT DOCUMENTS

D. 243,456 2/1977 Ryan D23/40

D. 243,457	2/1977	Ryan	D23/40
1,457,183	5/1923	Mitchell	285/189
1,787,580	1/1931	Jasper	285/286
1,872,357	8/1932	Straty	285/189
1,924,121	8/1933	Jasper	285/189
1,933,772	11/1933	Stresau	285/286 X
2,011,719	8/1935	Kidd	285/286 X
2,496,677	2/1950	Reedy	285/189
3,254,909	6/1966	Ver Nooy	285/189

Primary Examiner—James R. Largen

[57] CLAIM

The ornamental design for a welding outlet, substantially as shown.

DESCRIPTION

FIG. 1 is an isometric view taken from one end and one side of a welding outlet showing my new design; and FIG. 2 is an isometric view taken from the end and side opposite that shown in FIG. 1.

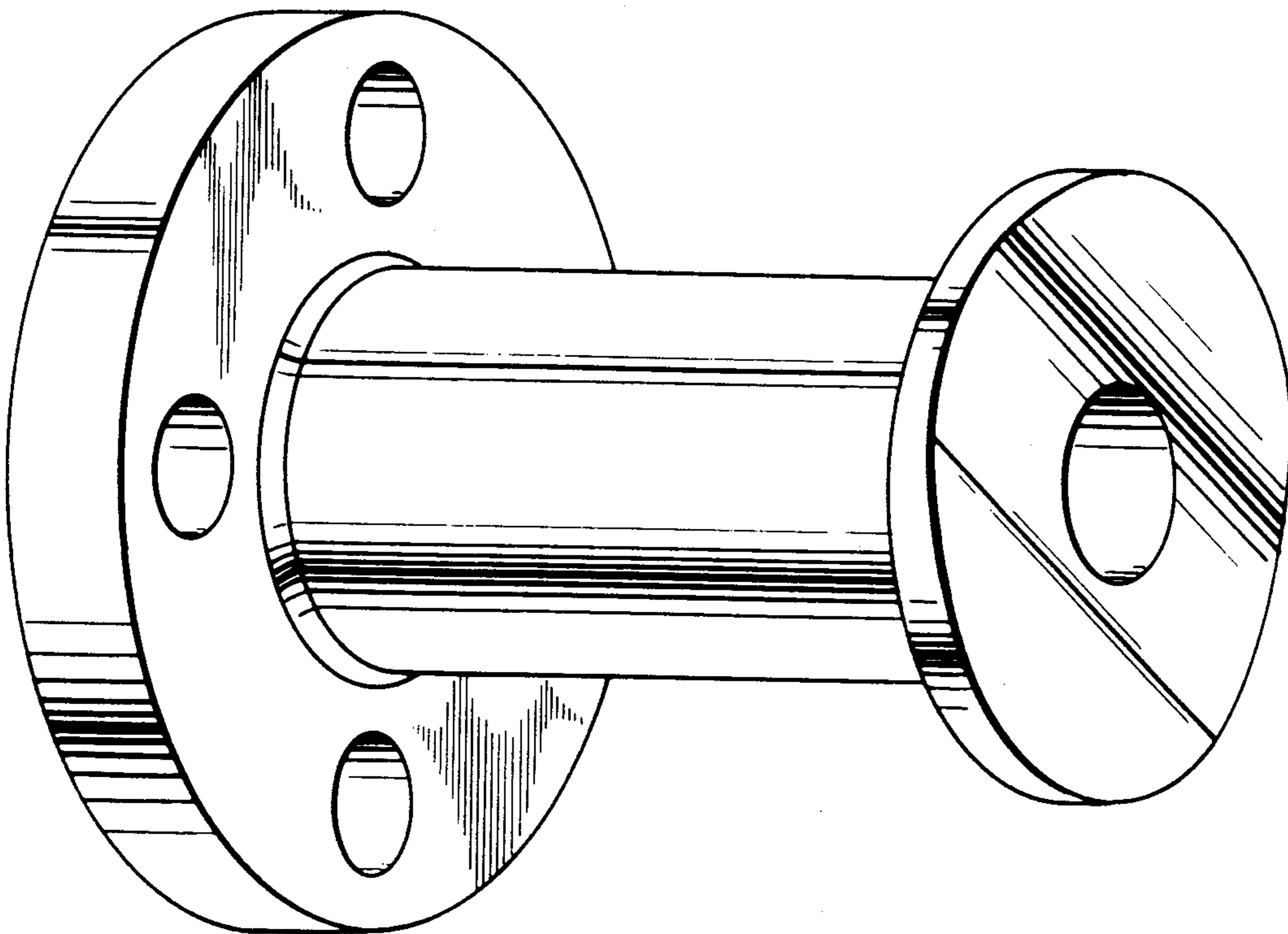


Fig. 1

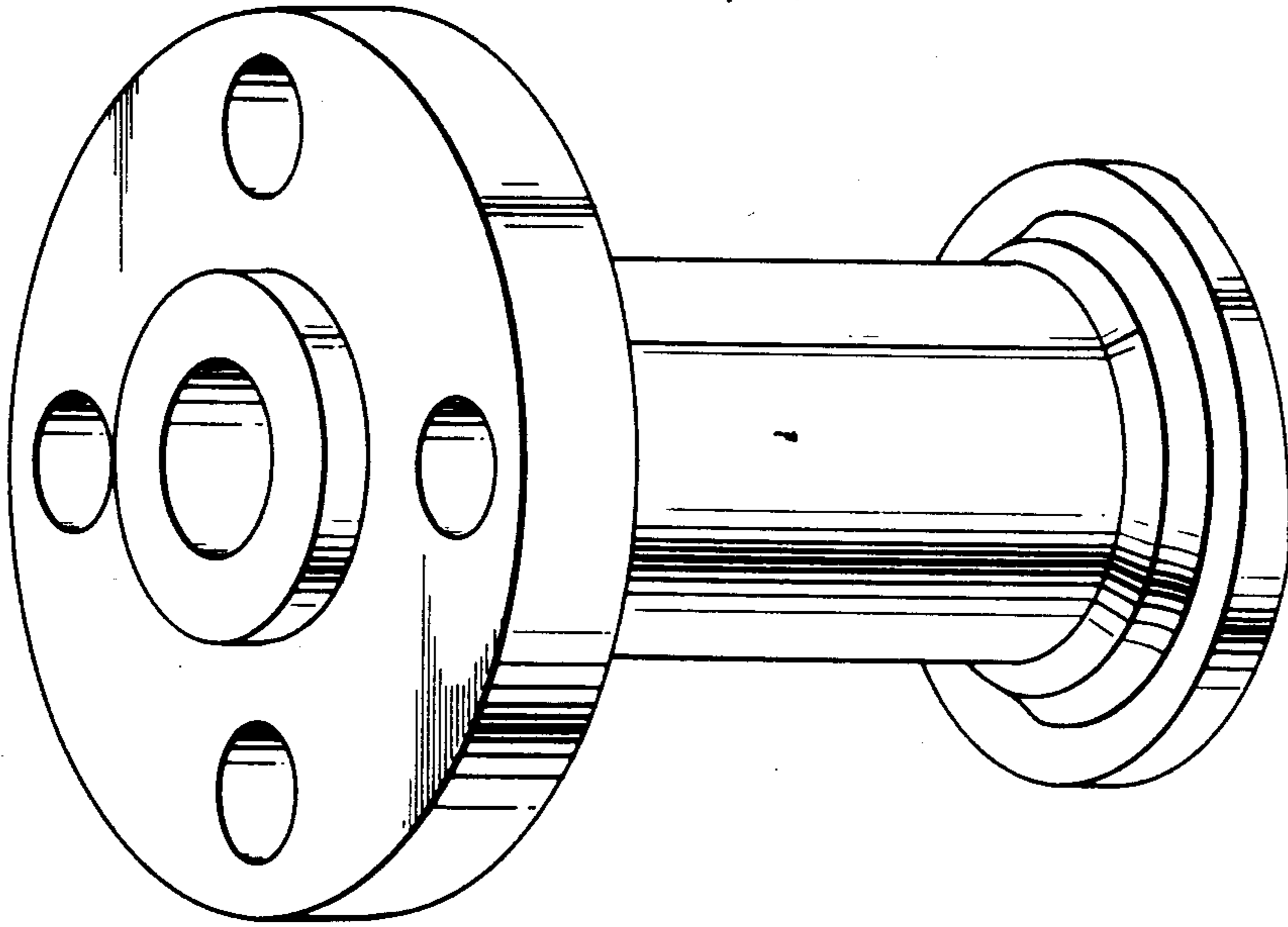


Fig. 2

