

[54] TOY VEHICLE

[75] Inventor: James R. Swearingen, Cincinnati, Ohio

[73] Assignee: CPG Products Corp., Minneapolis, Minn.

[\*\*] Term: 14 Years

[21] Appl. No.: 794,764

[22] Filed: May 9, 1977

[51] Int. Cl. .... D21-01

[52] U.S. Cl. .... D21/76

[58] Field of Search ..... D34/15 AJ, 15 AT, 14 A; D12/107, 108, 110; D21/76; 280/87.01, 87.02 W, 87.02 R, 87.03, 87.04, 87.05

[56] References Cited  
PUBLICATIONS

Sears Wish Book, 1976, p. 437, Item #5, "Roaring Chopper".

J. C. Penney Christmas Catalog, 1972, p. 367, Item #E, "Zoomcycle".

Primary Examiner—Joel Stearman

Assistant Examiner—Charles A. Rademaker

Attorney, Agent, or Firm—Gene O. Enockson

[57] CLAIM

The ornamental design for a toy vehicle, substantially as shown and described.

DESCRIPTION

FIG. 1 is a perspective view of a toy vehicle showing my new design;

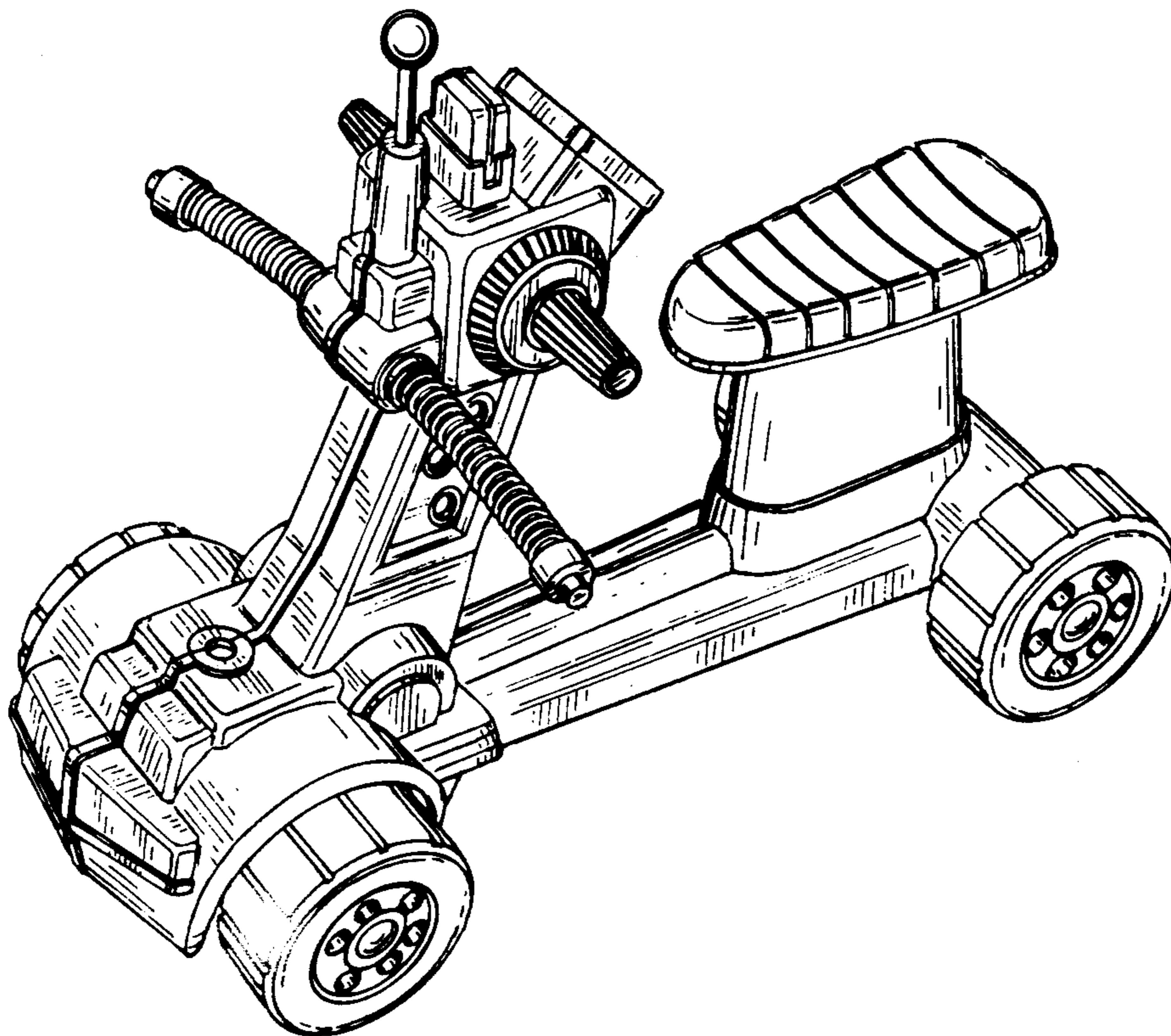
FIG. 2 is a right side elevational view thereof, the side opposite being substantially a mirror image;

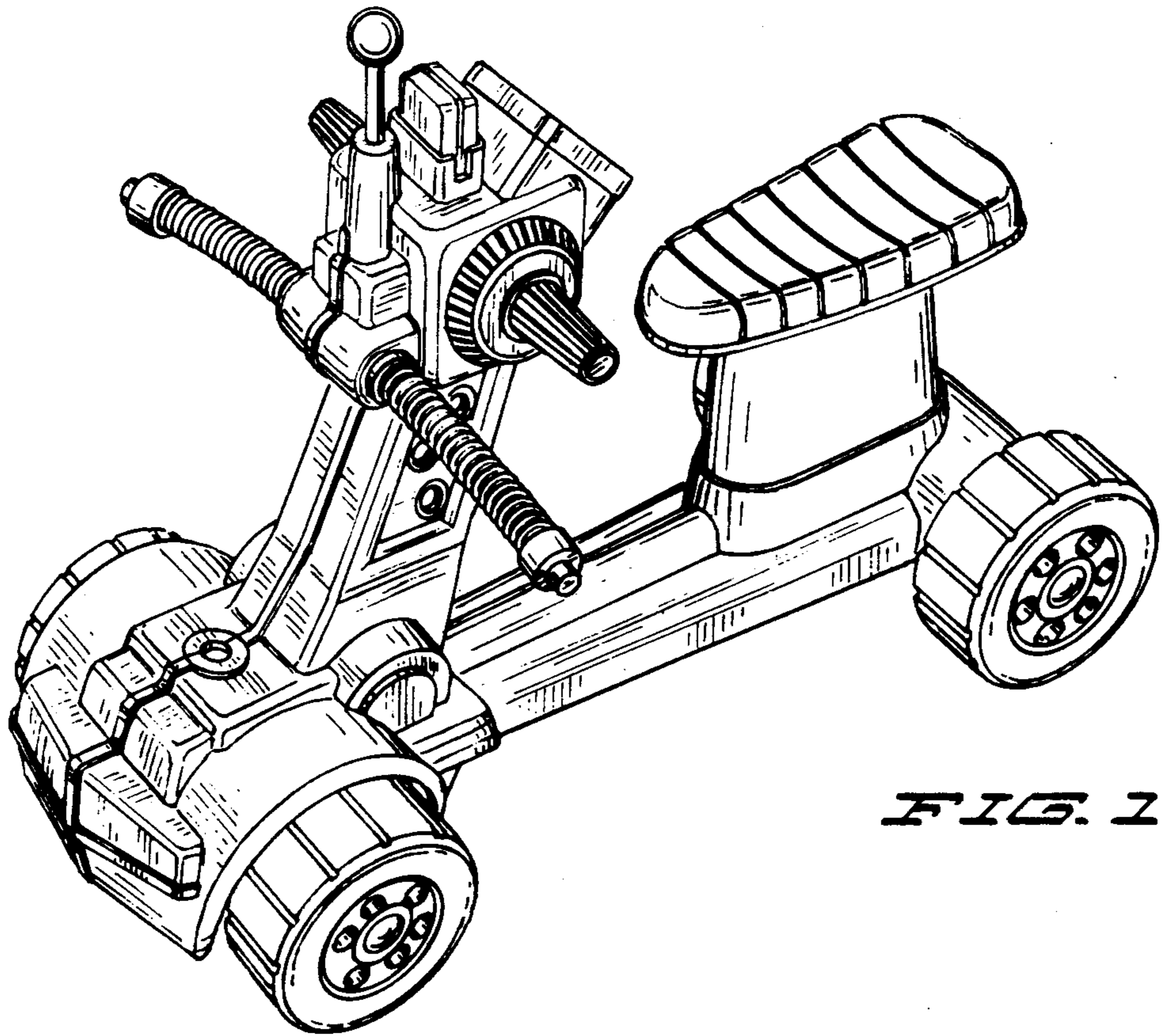
FIG. 3 is a top plan view thereof;

FIG. 4 is a bottom plan view thereof;

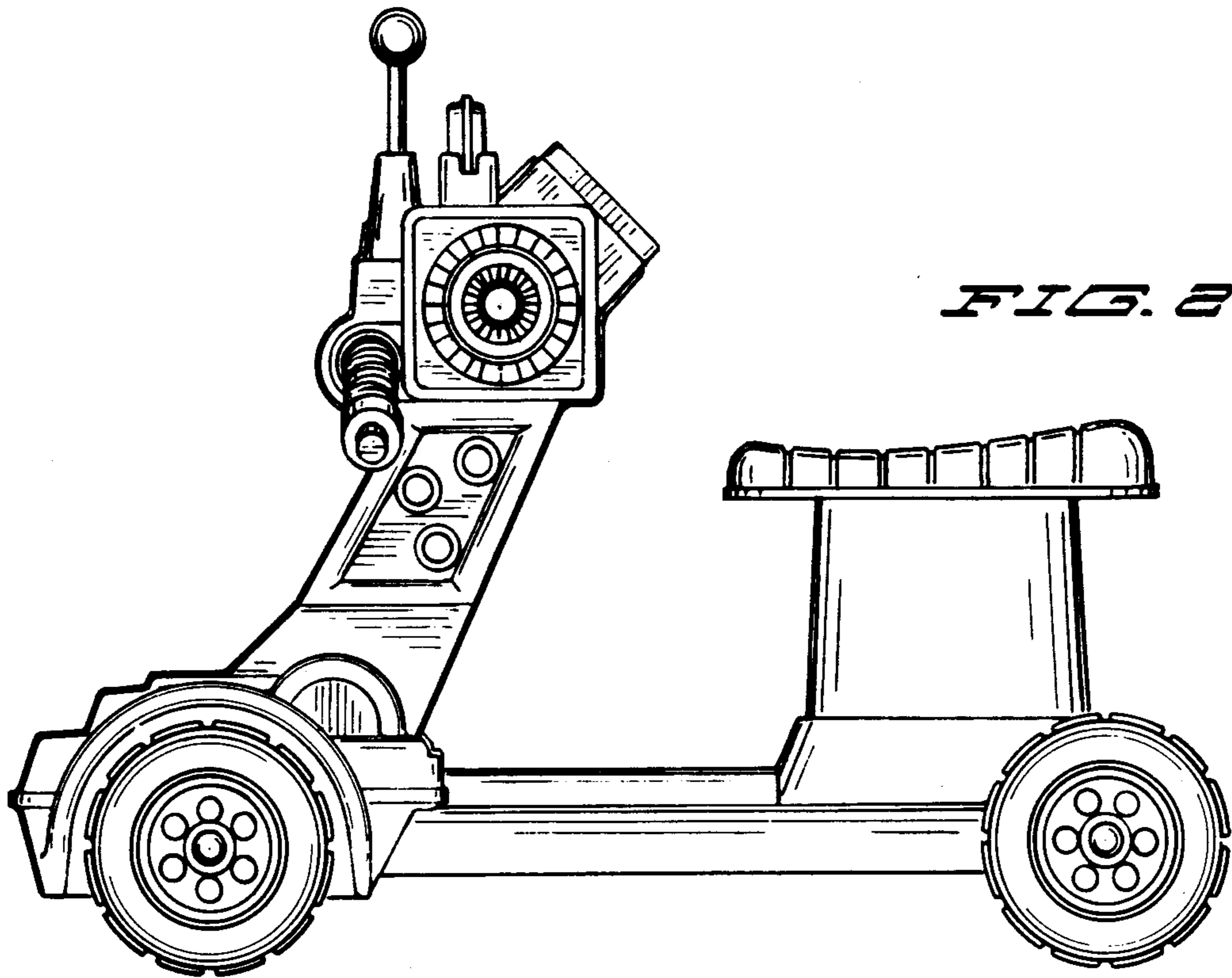
FIG. 5 is a front elevational view thereof; and

FIG. 6 is a rear elevational view thereof.



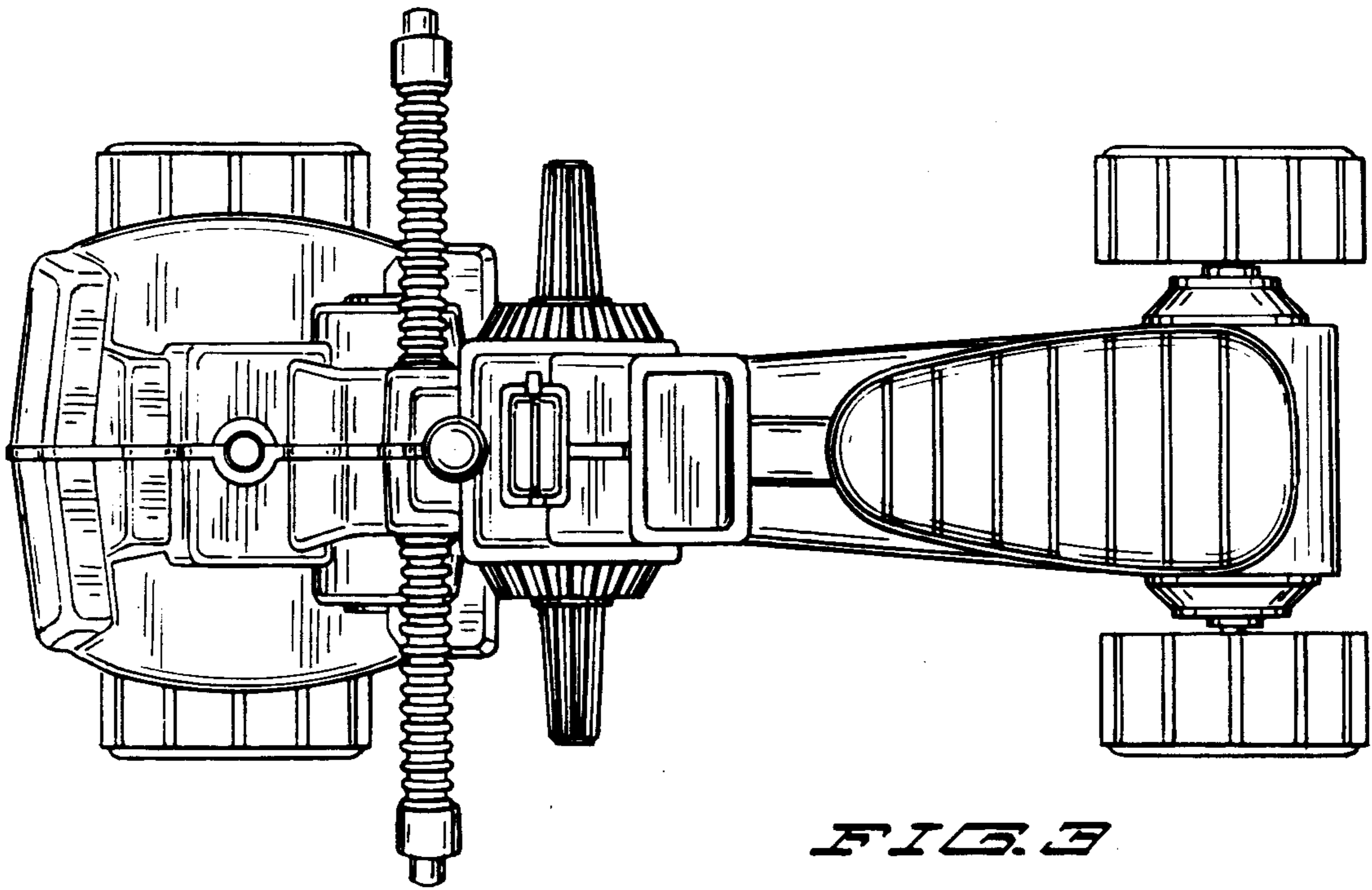


*FIG. 1*

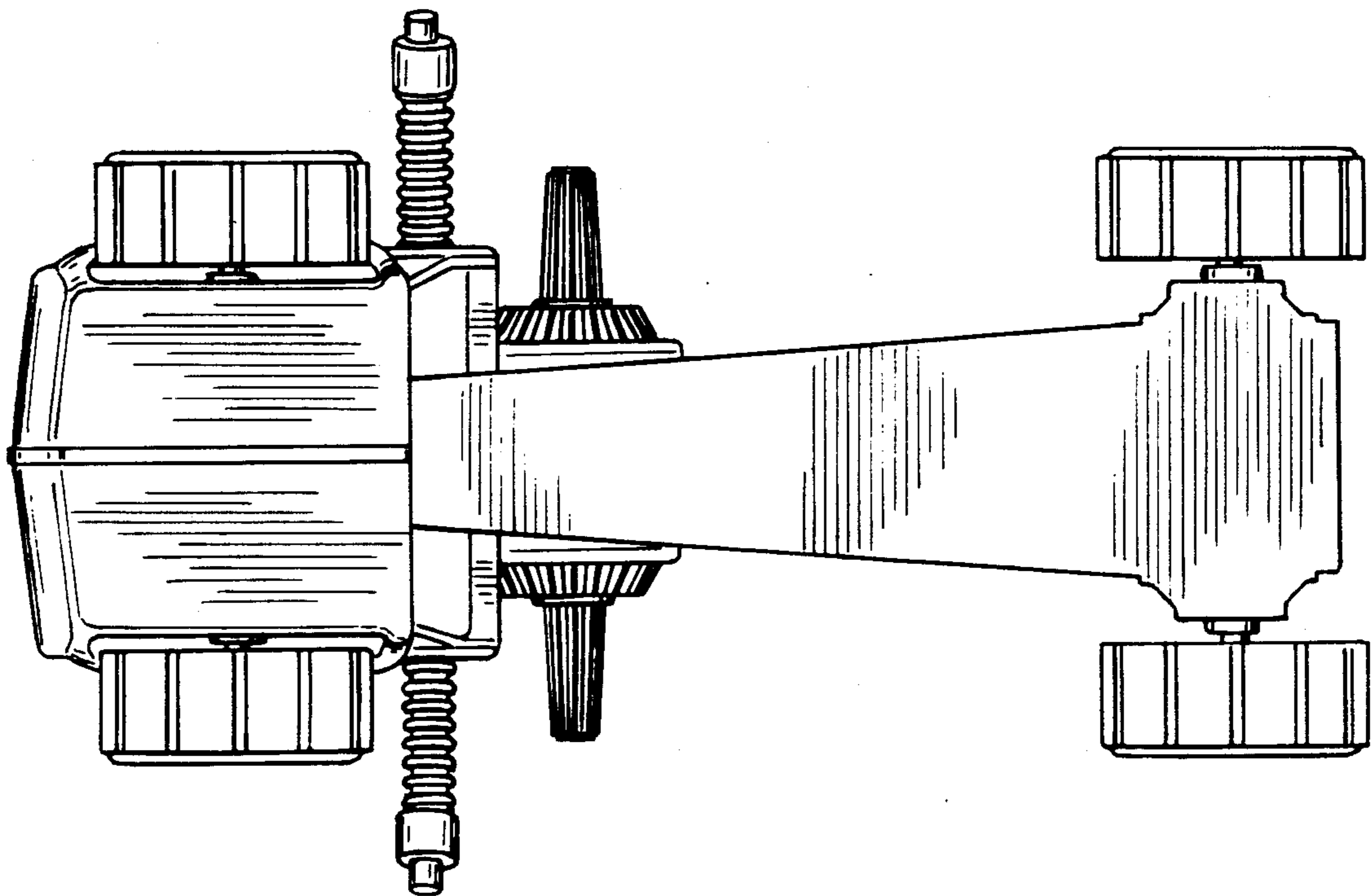


*FIG. 2*

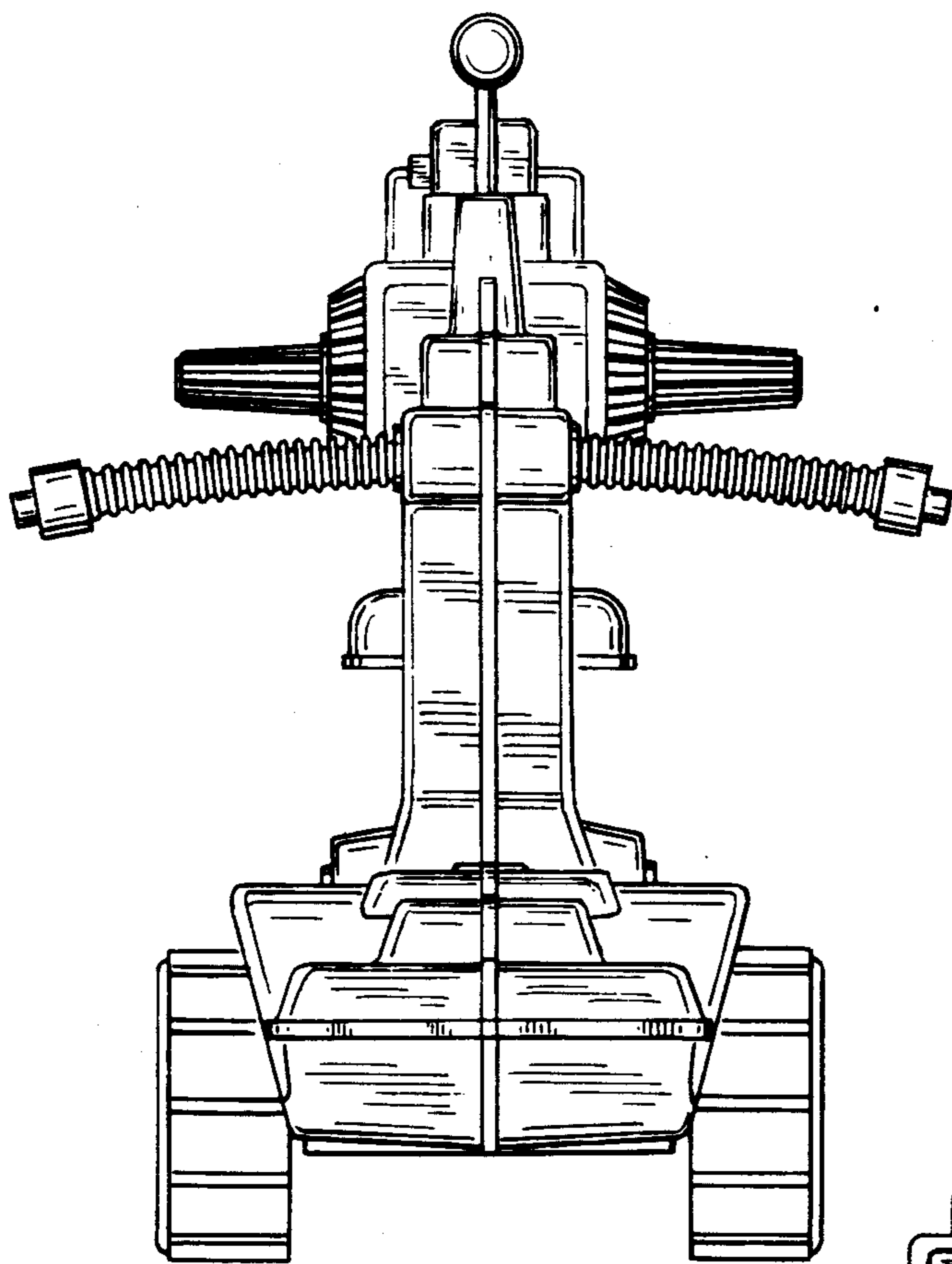




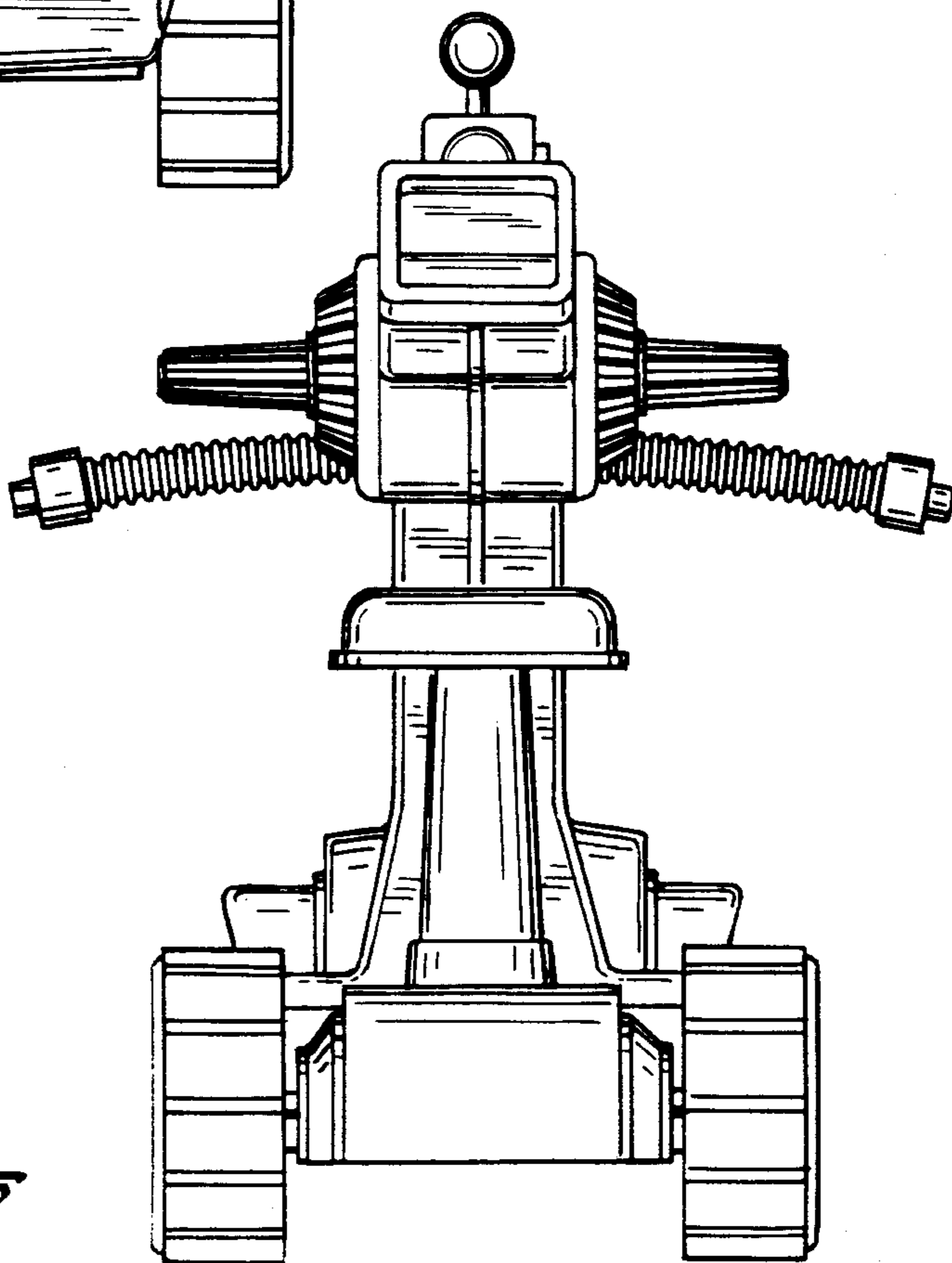
*FIG. 3*



*FIG. 4*



*FIG. 5*



*FIG. 6*