

[54] ROCK CRUSHER TABLE LINER

[75] Inventors: Stephen B. Ackers, Portland, Oreg.; Neil M. Rose, Vancouver, Wash.

[73] Assignee: Canica Crushers, Ltd., Vancouver, Wash.

[**] Term: 14 Years

[21] Appl. No.: 790,750

[22] Filed: Apr. 25, 1977

[51] Int. Cl. D15-99; D8-99

[52] U.S. Cl. D15/123; D8/403

[58] Field of Search 241/275; D15/123; D8/402, 403

[56] References Cited

U.S. PATENT DOCUMENTS

D. 221,958	9/1971	Finebaum	D8/403
D. 229,028	11/1973	Mestre	D8/402
3,074,657	1/1963	Bridgewater	241/275
4,090,673	5/1978	Ackers et al.	241/275

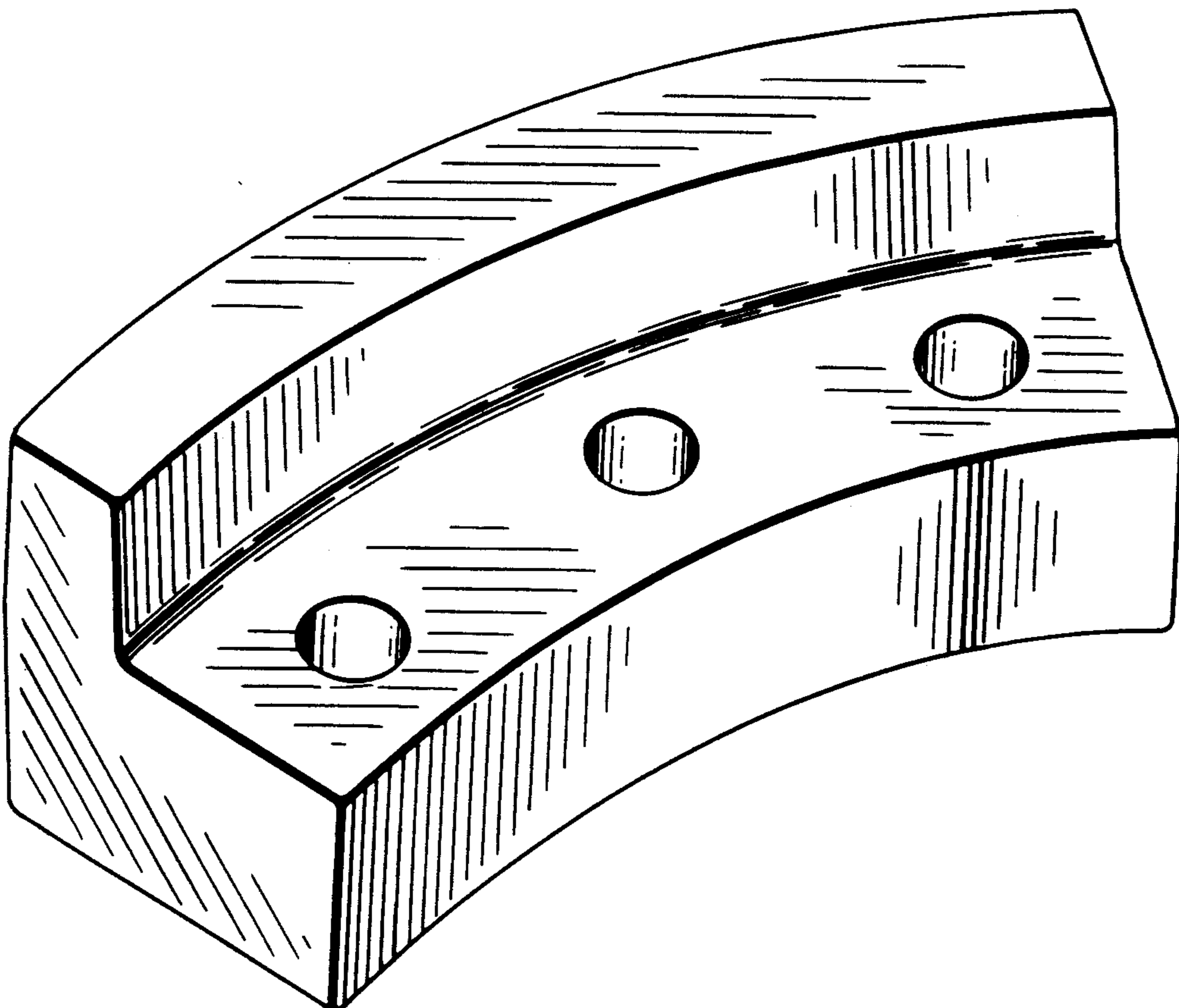
Primary Examiner—Bernard Ansher
Attorney, Agent, or Firm—Charles D. McClung

[57] CLAIM

The ornamental design for a rock crusher table liner, as shown and described.

DESCRIPTION

FIG. 1 is a perspective view of a table liner embodying the features of our new invention, looking from above; FIG. 2 is a perspective view of the table liner of FIG. 1 looking from the rear; and FIG. 3 is a perspective view of the table liner of FIG. 1 looking from below.



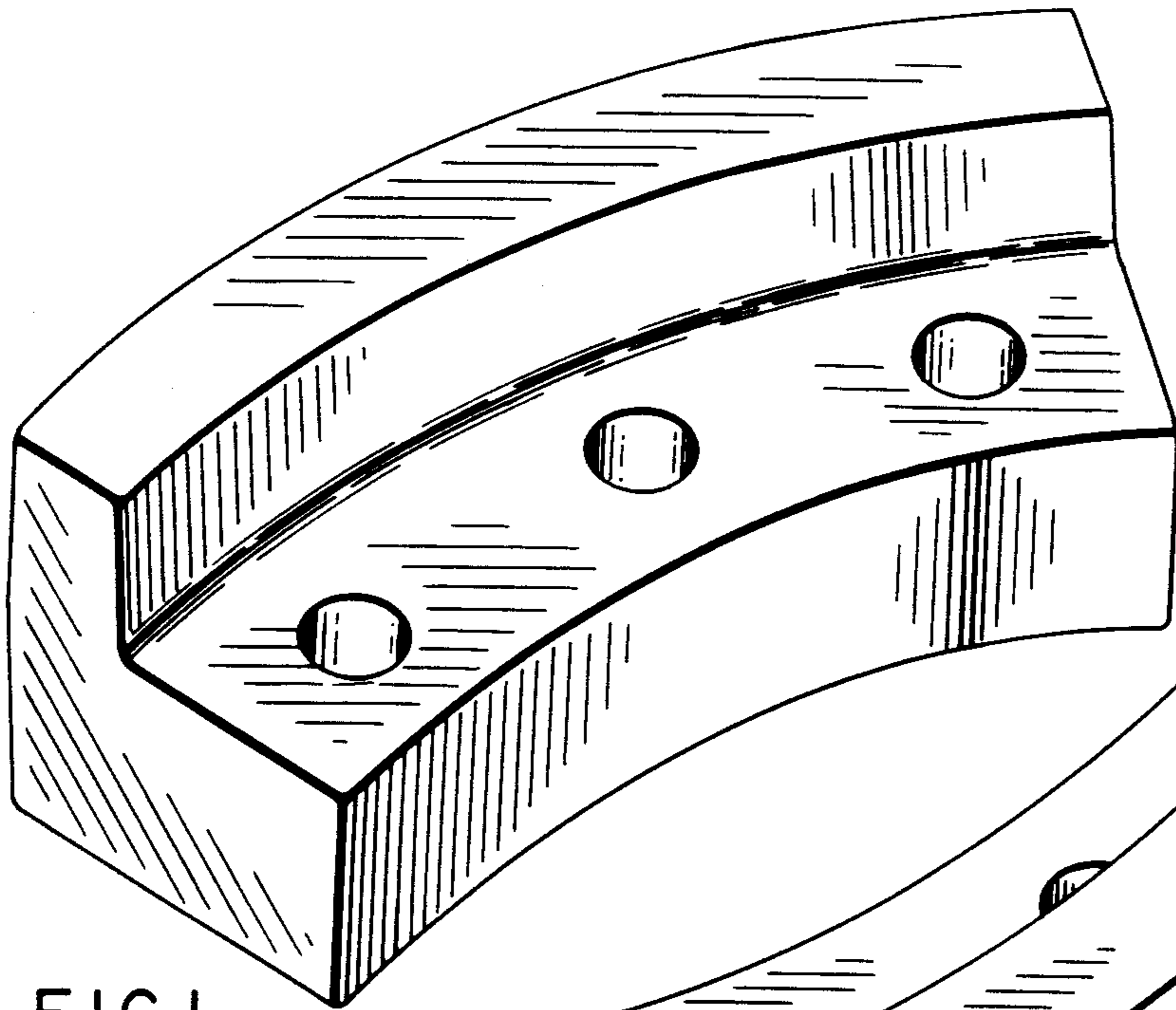


FIG. 1

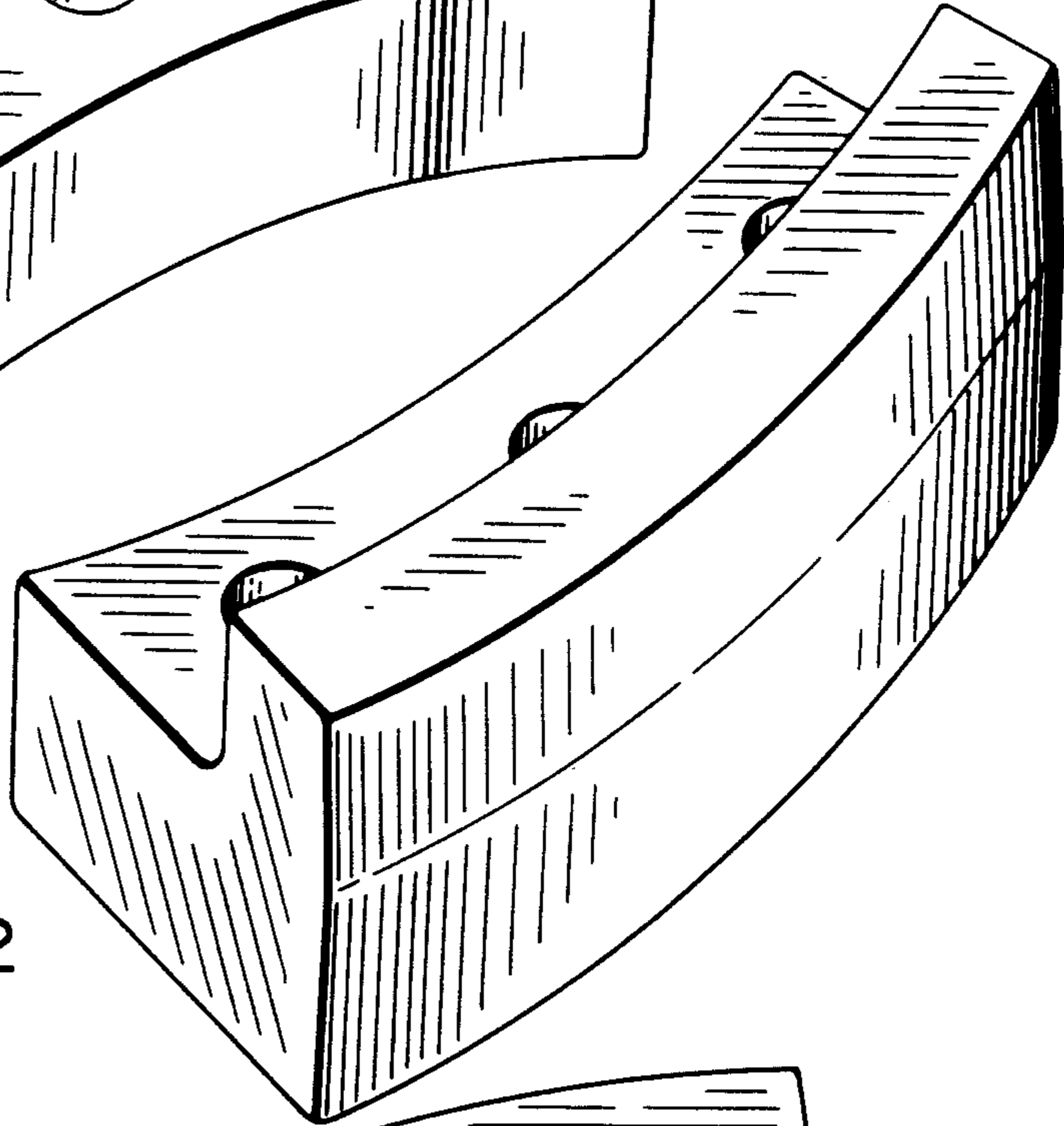


FIG. 2

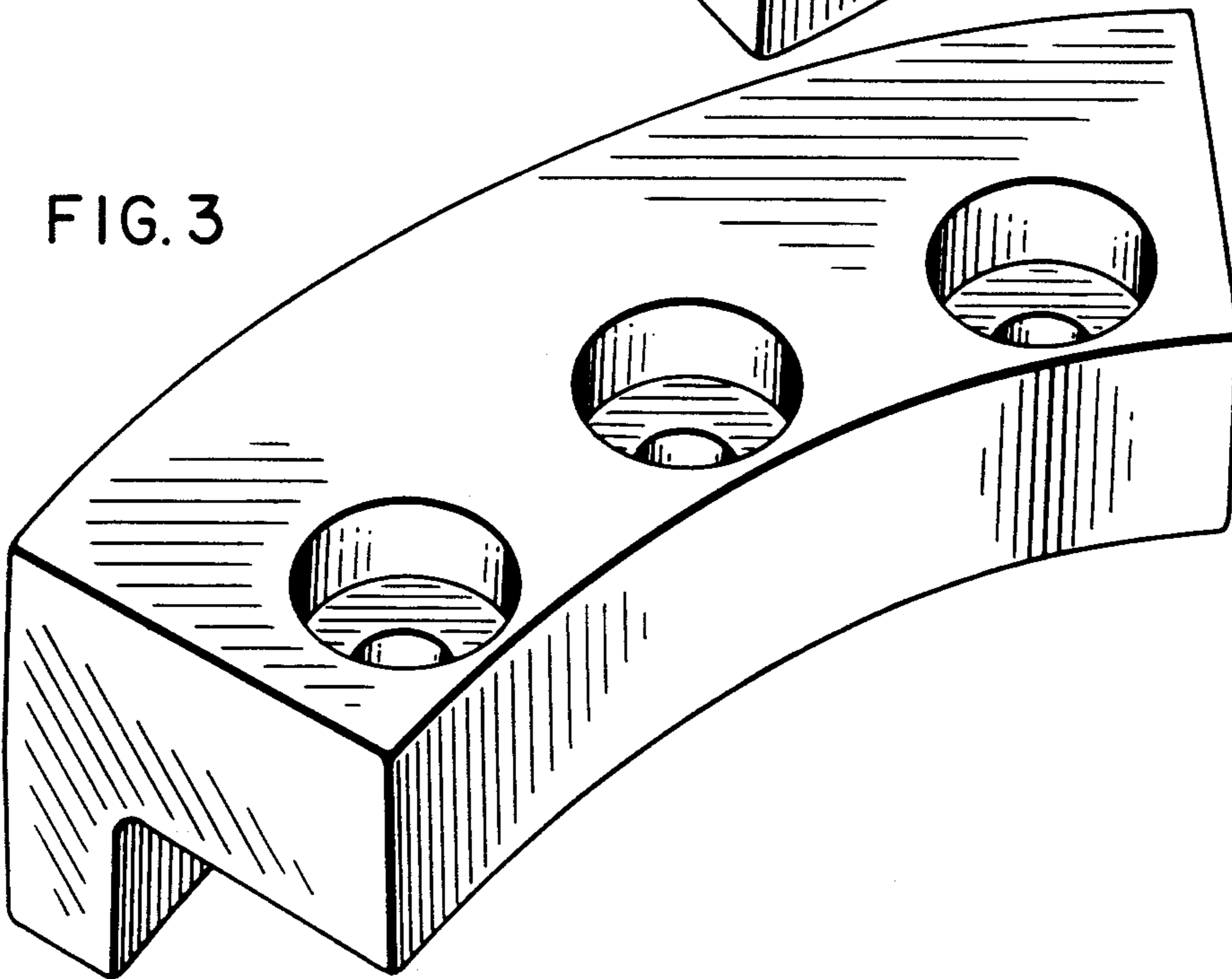


FIG. 3