

[54] **COMBINED WALL TELEPHONE SUPPORT,  
MEMORANDUM PAD AND PENCIL  
HOLDER**

[76] Inventor: **Ellis R. Haley**, 385 Old Connecticut  
Path, Framingham, Mass. 01701

[\*\*] Term: **14 Years**

[21] Appl. No.: **832,807**

[22] Filed: **Sep. 12, 1977**

[51] Int. Cl. .... **D14-03**

[52] U.S. Cl. .... **D14/65**

[58] Field of Search ..... D14/65, 99; D19/87,  
D19/86; 179/146 R; 248/447; 40/336, 335;  
D6/88, 125

[56] **References Cited**

**U.S. PATENT DOCUMENTS**

- D. 183,724 10/1958 Du Bois ..... D14/65
- D. 184,411 2/1959 Schoen ..... D14/65

- D. 242,808 12/1976 Moberg ..... D19/87 X
- 3,085,134 4/1953 Bissonnette et al. .... 179/146 R

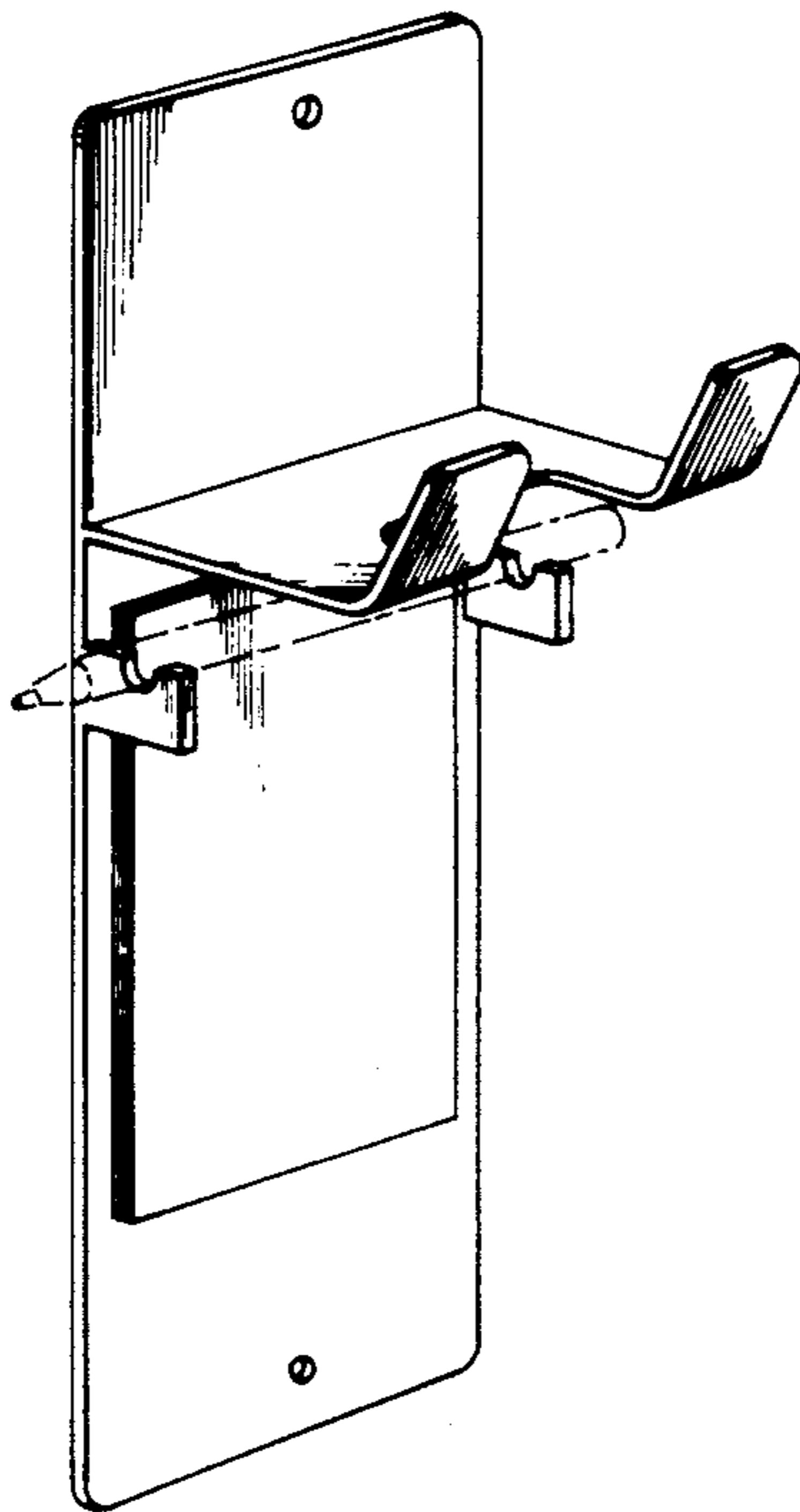
*Primary Examiner*—Bernard Ansher  
*Attorney, Agent, or Firm*—Abbott Spear

[57] **CLAIM**

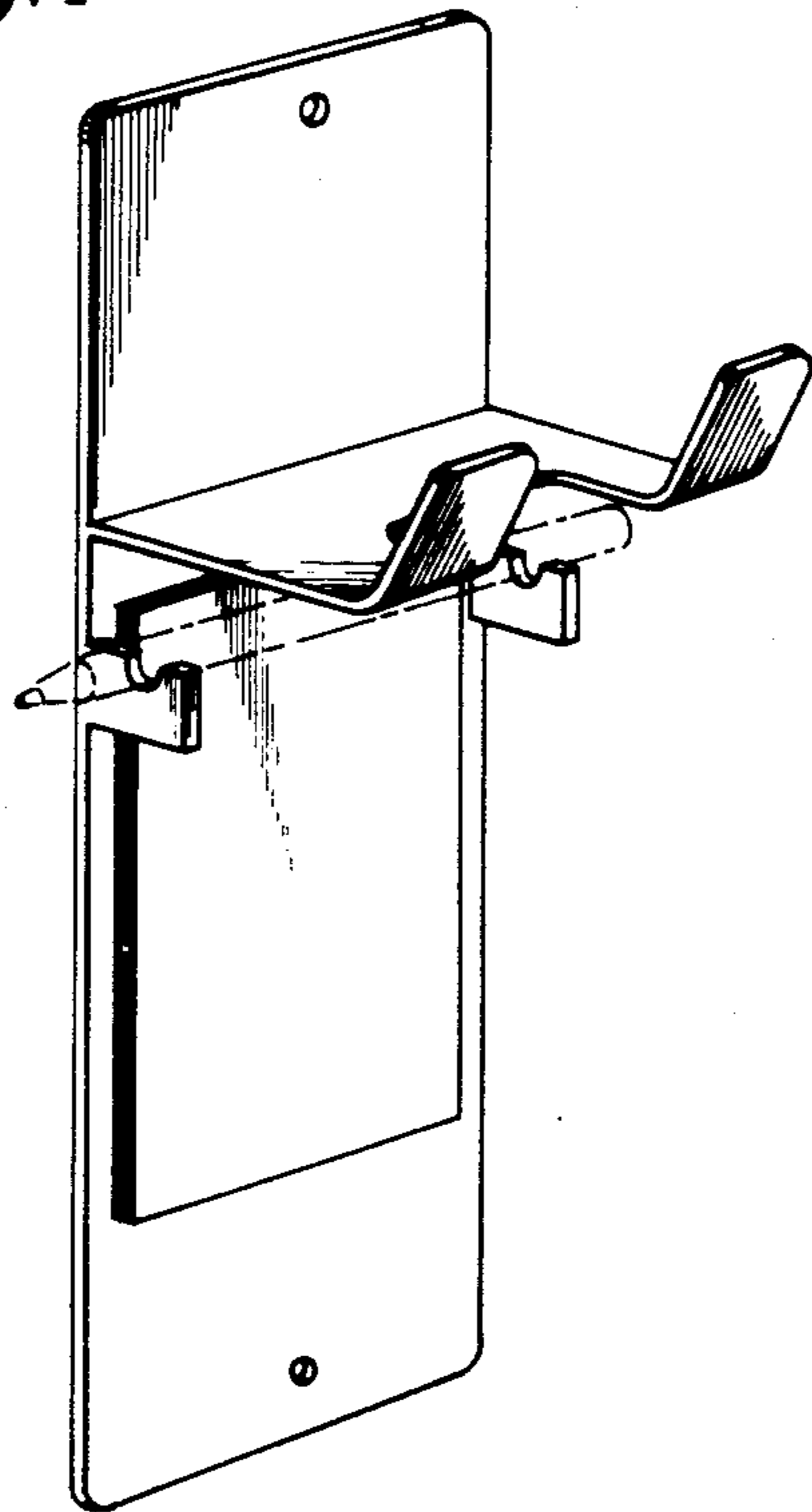
The ornamental design of a combined wall telephone support, memorandum pad and pencil holder, as shown and described.

**DESCRIPTION**

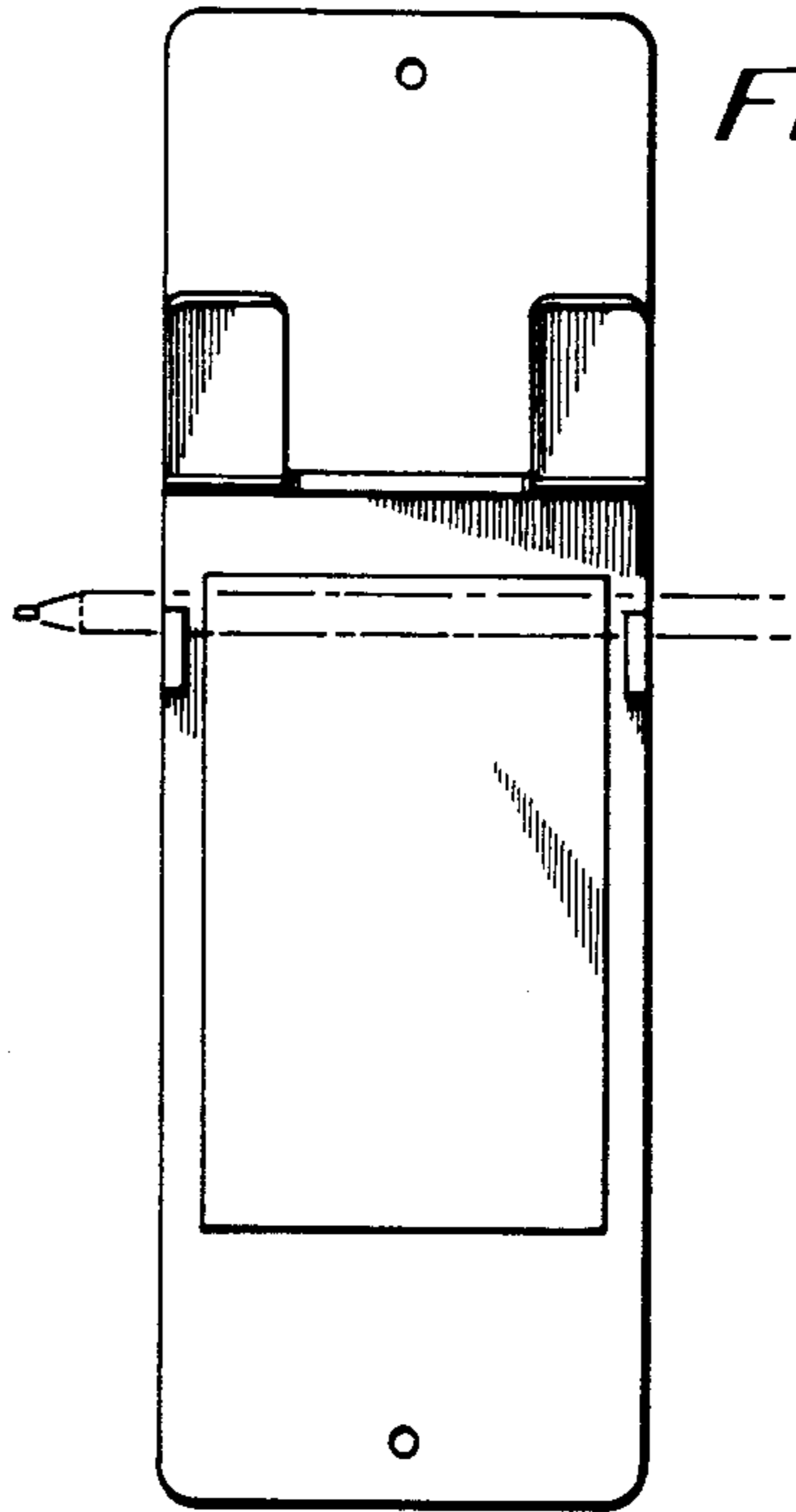
FIG. 1 is a front perspective view of a combined wall telephone support, memorandum pad and pencil holder, showing my new design;  
 FIG. 2 is a front elevation thereof;  
 FIG. 3 is a side elevation thereof;  
 FIG. 4 is a rear elevation thereof;  
 FIG. 5 is a top plan view thereof; and  
 FIG. 6 is a bottom plan view thereof.  
 The broken lines are showing for illustrative purposes only.



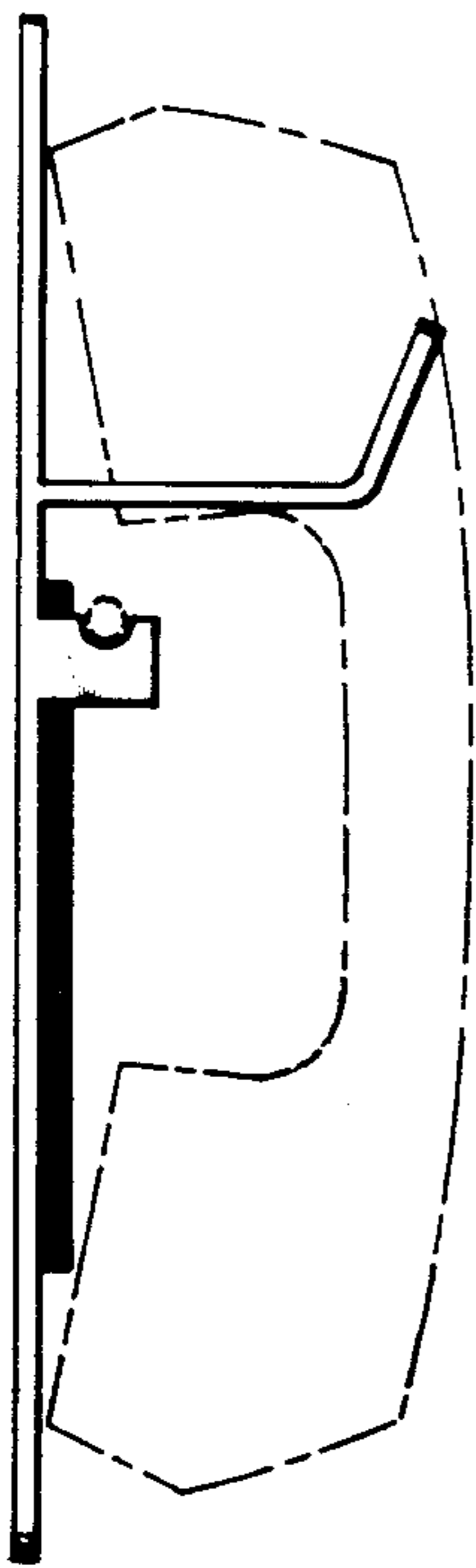
*Fig. 1*



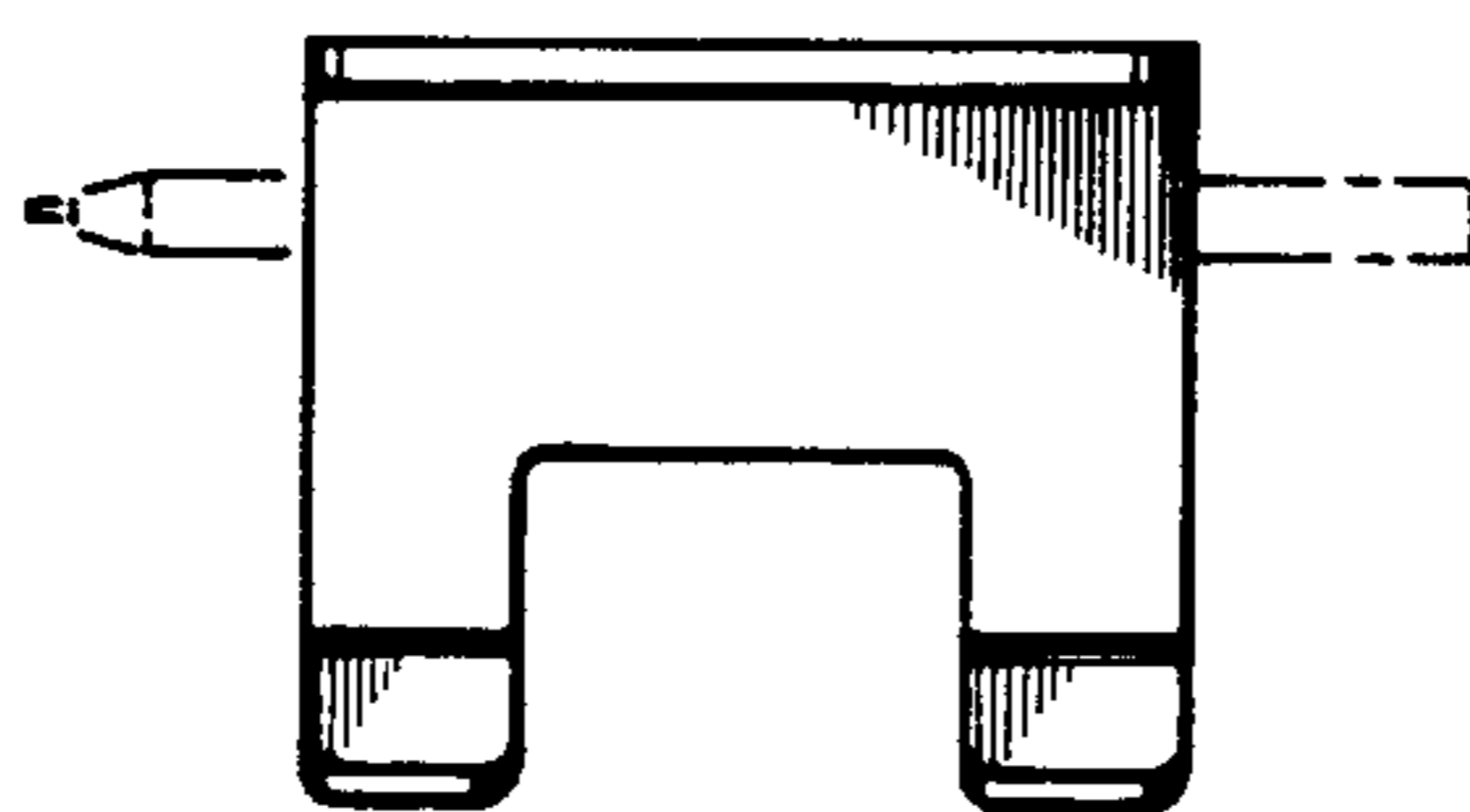
*Fig. 2*



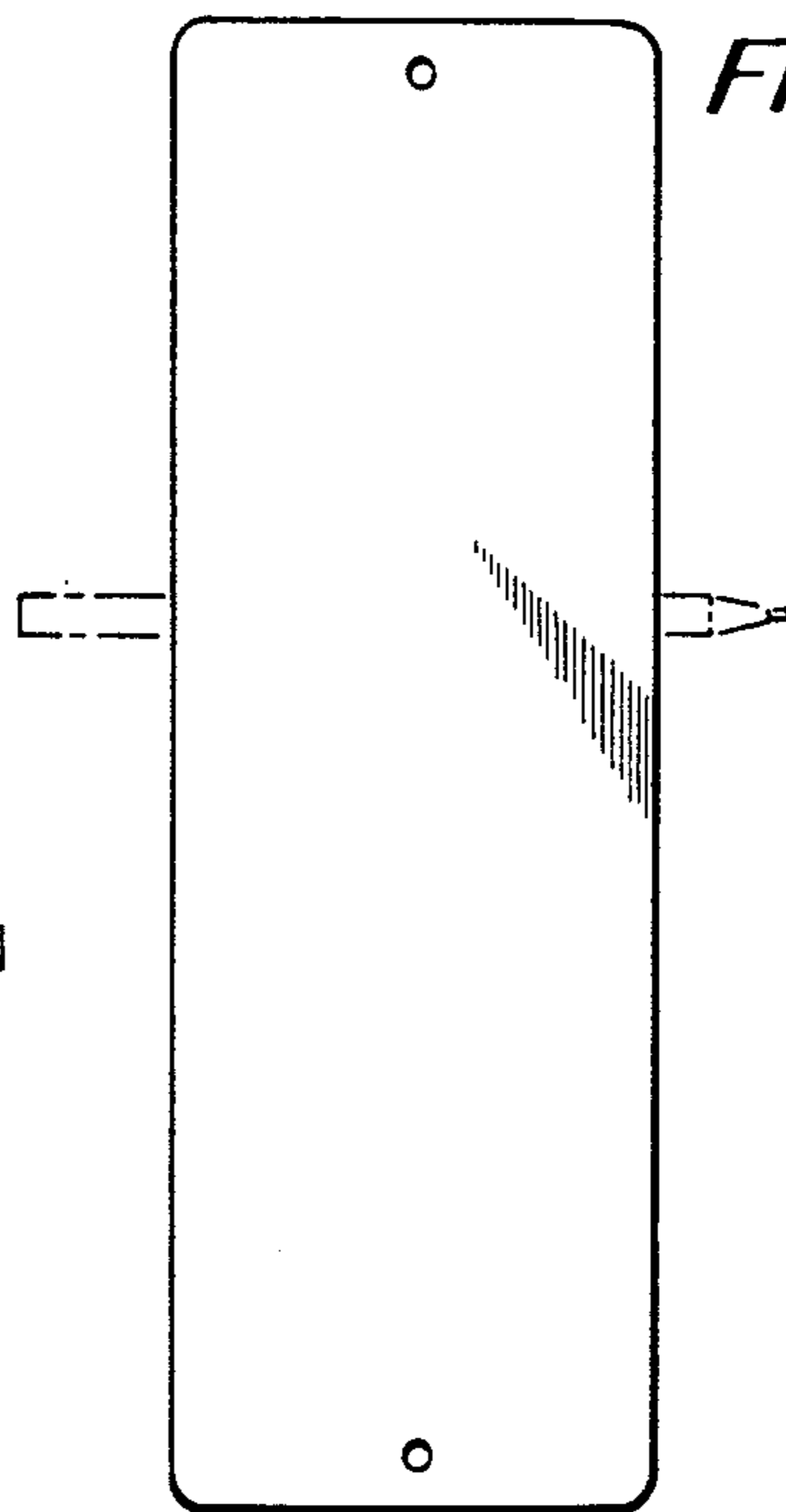
*Fig. 3*



*Fig. 5*



*Fig. 4*



*Fig. 6*

