

[54] LOUDSPEAKER

[75] Inventor: Hideyuki Matsubara, Tokyo, Japan

[73] Assignee: Pioneer Kabushiki Kaisha, Tokyo, Japan

[**] Term: 14 Years

[21] Appl. No.: 959,374

[22] Filed: Nov. 9, 1978

[30] Foreign Application Priority Data

May 10, 1978 [JP] Japan 53-19177

[51] Int. Cl. D14-03

[52] U.S. Cl. D14/30; 181/157

[58] Field of Search 181/157; 179/116, 1 E,
179/178; D14/30, 39, 23, 24, 33, 34

[56] References Cited

U.S. PATENT DOCUMENTS

D. 188,542	8/1960	Levy et al.	D14/30
D. 197,716	3/1964	Boldt et al.	D14/30
D. 198,377	6/1964	Wassmann	D14/30
2,857,478	10/1958	Harris	179/116

Primary Examiner—Bernard Ansher
Attorney, Agent, or Firm—James E. Armstrong, III

[57] CLAIM

The ornamental design for loudspeaker, as shown and described.

DESCRIPTION

FIG. 1 is a front elevation view of a loudspeaker incorporating my new design;
FIG. 2 is a rear elevation view of the loudspeaker;
FIG. 3 is a top plan view of the loudspeaker;
FIG. 4 is a right side elevation view of the loudspeaker; and
FIG. 5 is a perspective view of the loudspeaker.

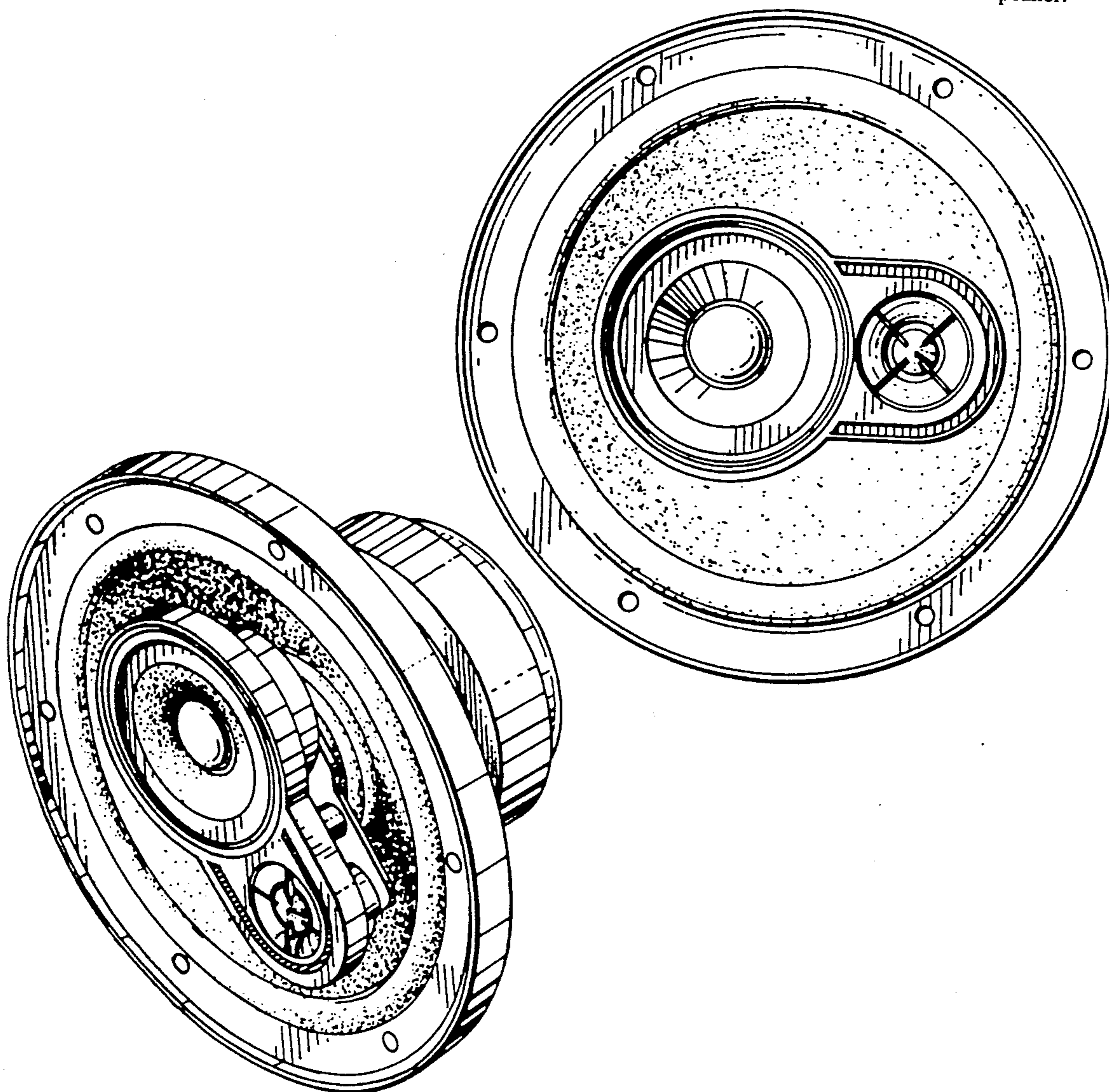


FIG. 1

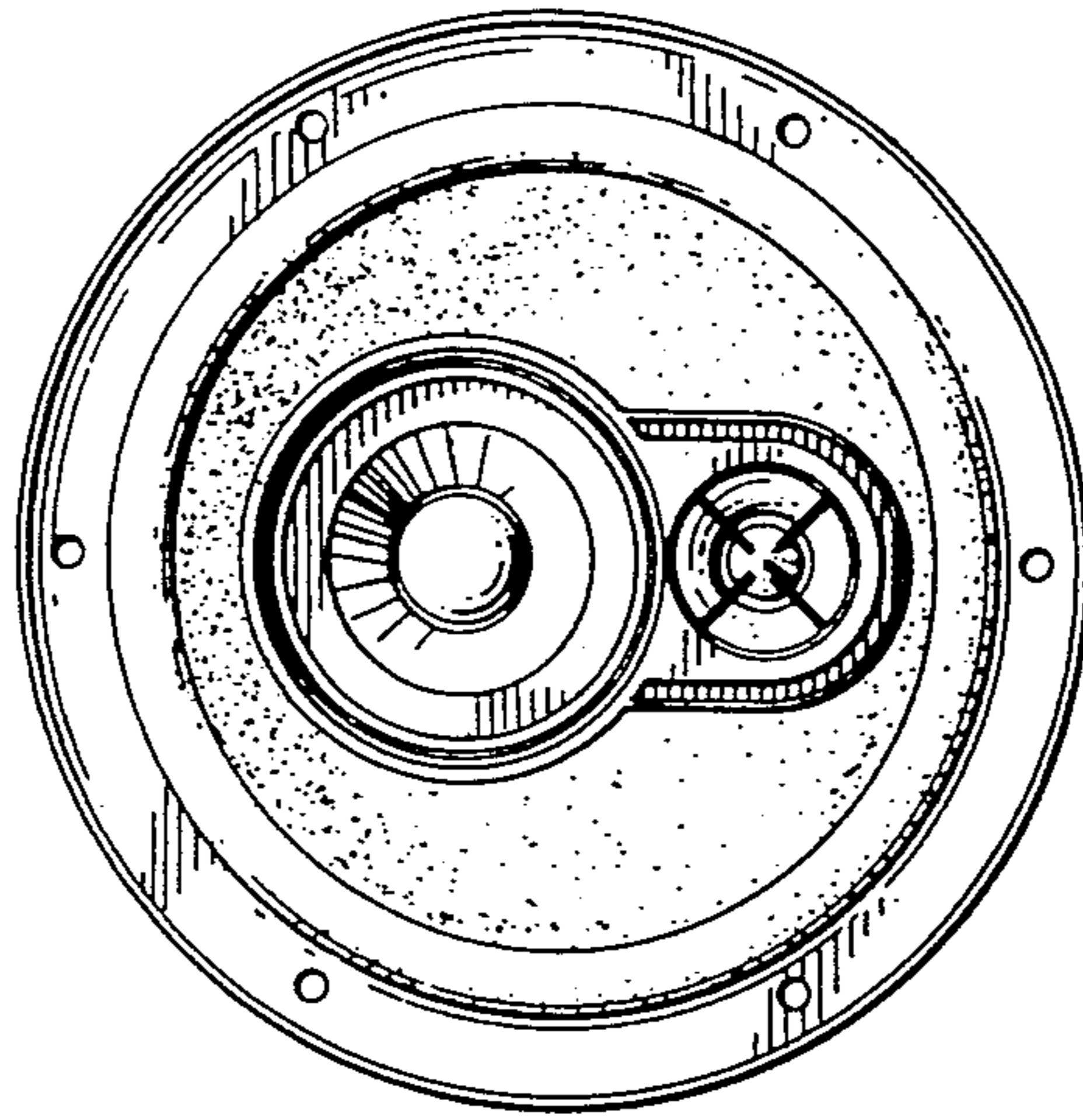
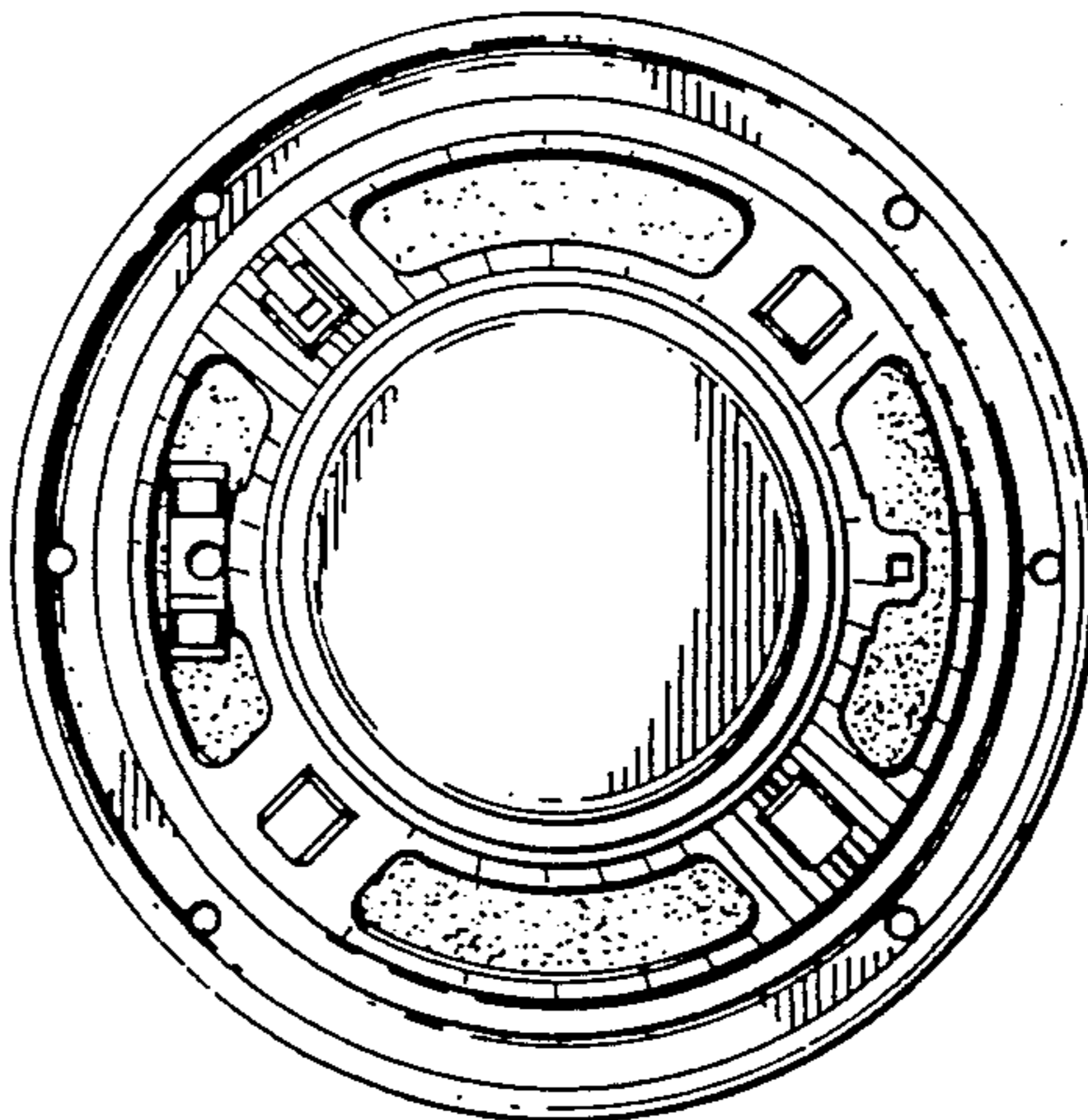


FIG. 2



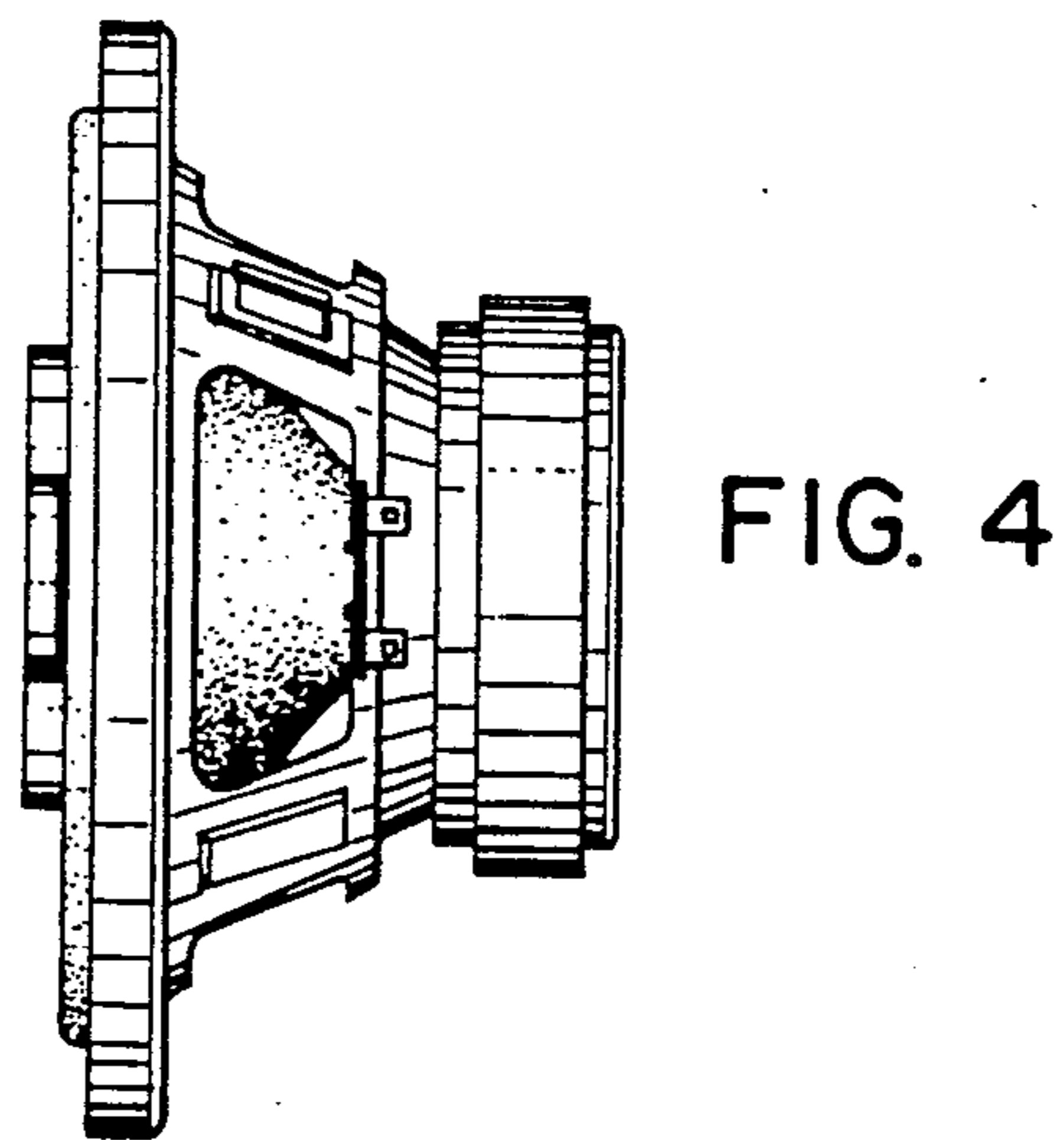
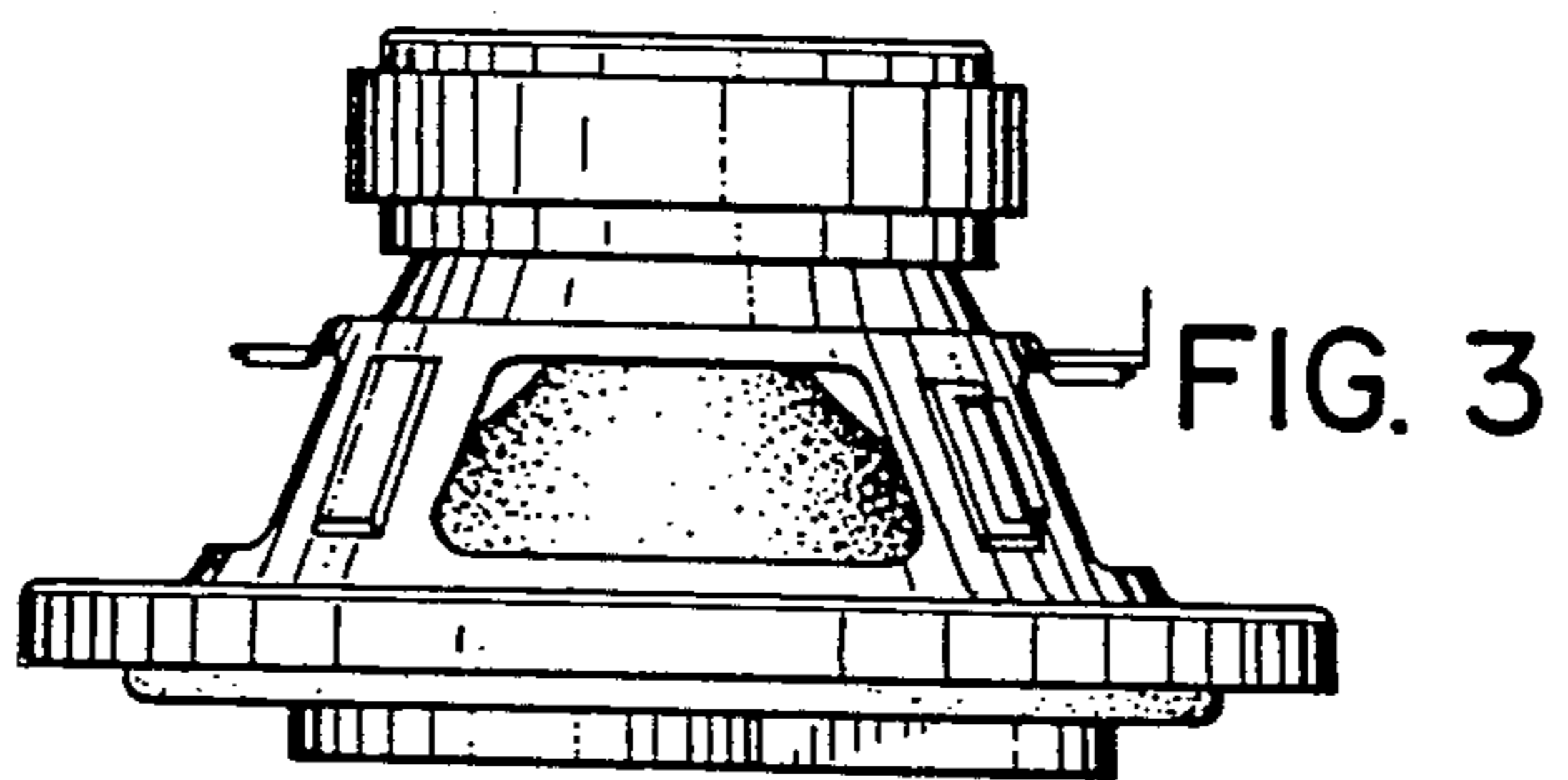


FIG. 5

