

[54] JUG

[76] Inventor: **Andre Morin**, 59 Place Mansfield,
Dollard des Ormeaux, Quebec,
Canada

[**] Term: **14 Years**

[21] Appl. No.: **898,503**

[22] Filed: **Apr. 20, 1978**

[51] Int. Cl. **D7-01**

[52] U.S. Cl. **D7/65**

[58] Field of Search **D7/59, 60, 61, 62, 63,
D7/64, 65, 67, 41, 77, 3, 17**

[56] **References Cited**

U.S. PATENT DOCUMENTS

- D. 224,752 9/1972 Bonzer D7/62
- D. 229,657 12/1973 Cyren D7/65

OTHER PUBLICATIONS

Design, 10-1964, p. 59, Adv. at bottom—"Manhattan" by Reppel & Vollmann—Germany, Jug shown at right.
Housewares Review, Apr. 1967, p. 57, Classic Flair by Loma Industries, Jug shown in lower middle.
Tableware International, Nov./ Dec. 1975, p. 48, Clear Plastic Carafe—top left, Guzzini Fratelli.
Domus, 11-1964, p. 51, Carafe shown in lower half of page.

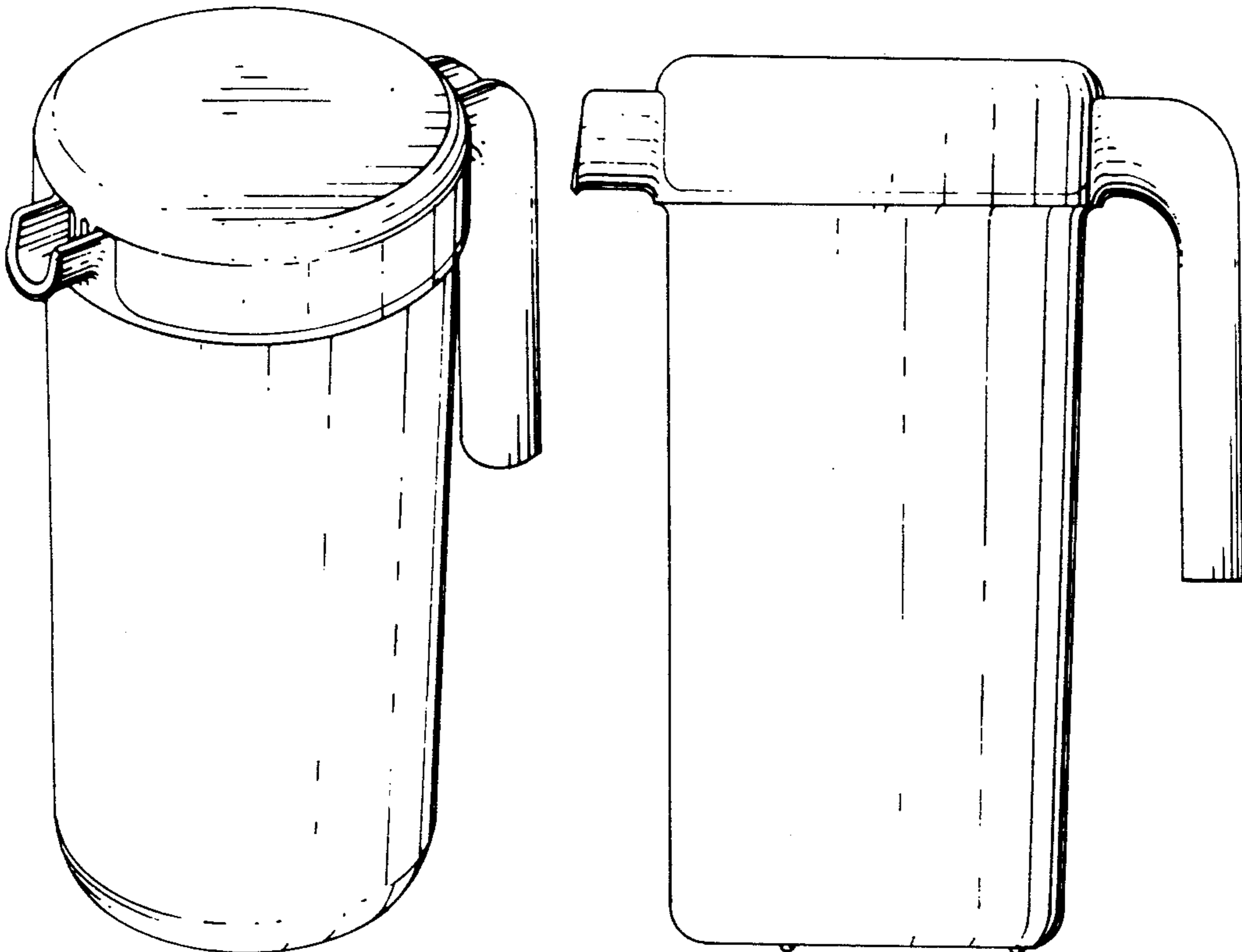
Primary Examiner—Winifred E. Herrmann
Attorney, Agent, or Firm—Goudreau, Gage & Dubuc

[57] **CLAIM**

The ornamental design for a jug, as shown.

DESCRIPTION

FIG. 1 is a perspective view of a jug showing my new design;
 FIG. 2 is a front elevation view thereof;
 FIG. 3 is a side elevation view thereof;
 FIG. 4 is a rear elevation view thereof;
 FIG. 5 is a top view thereof; and
 FIG. 6 is a bottom view thereof.



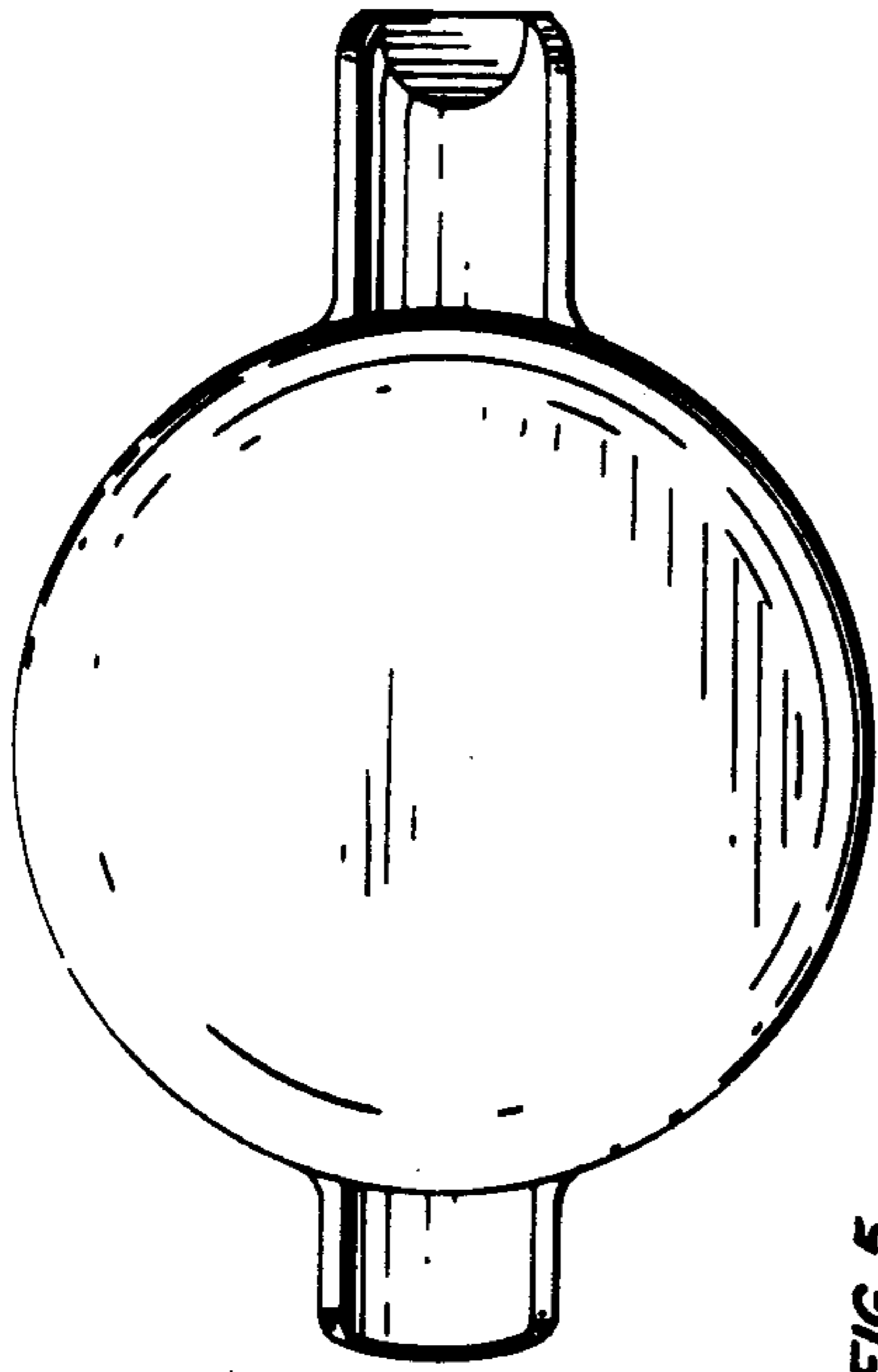


FIG. 5

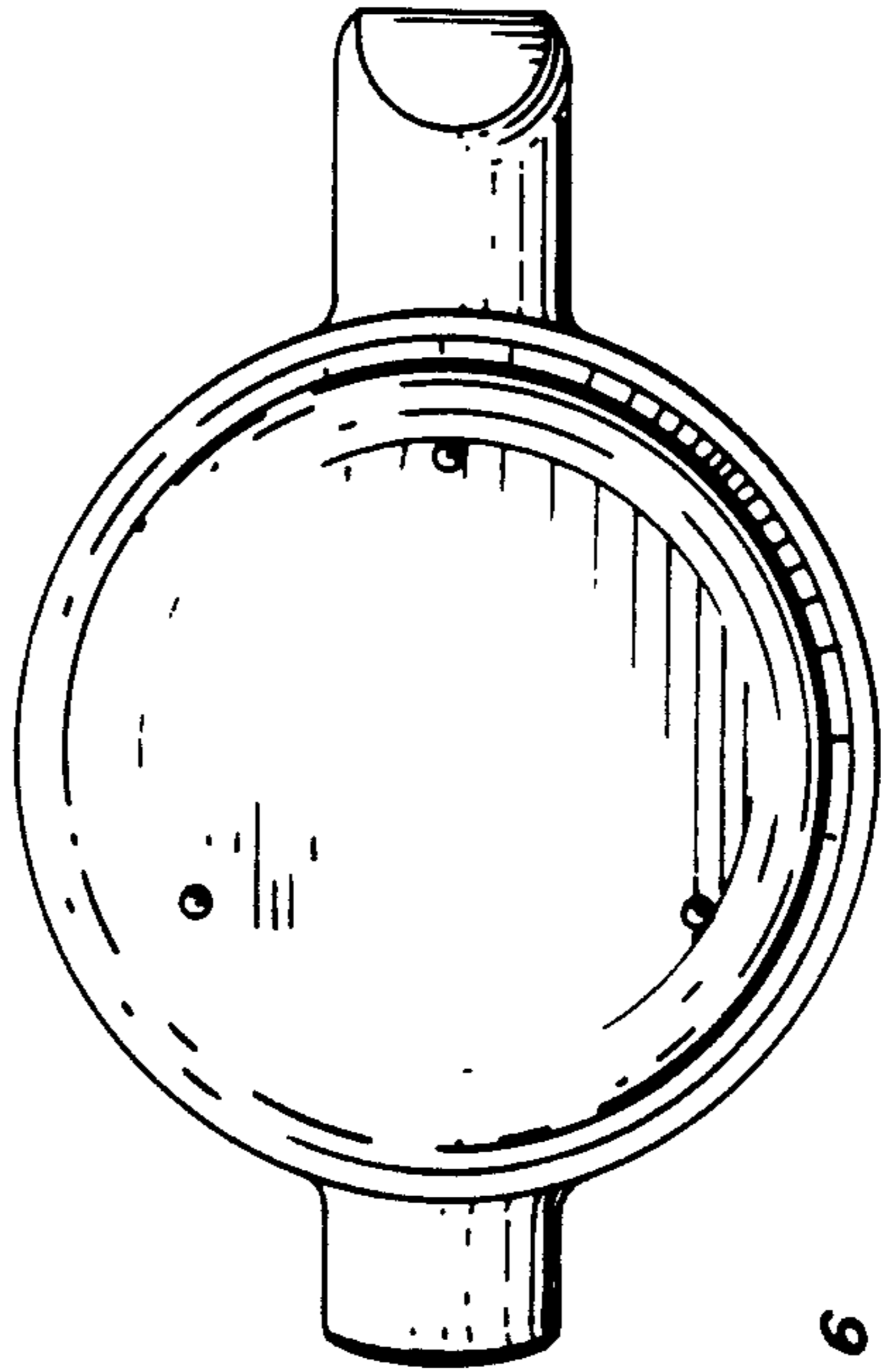


FIG. 6

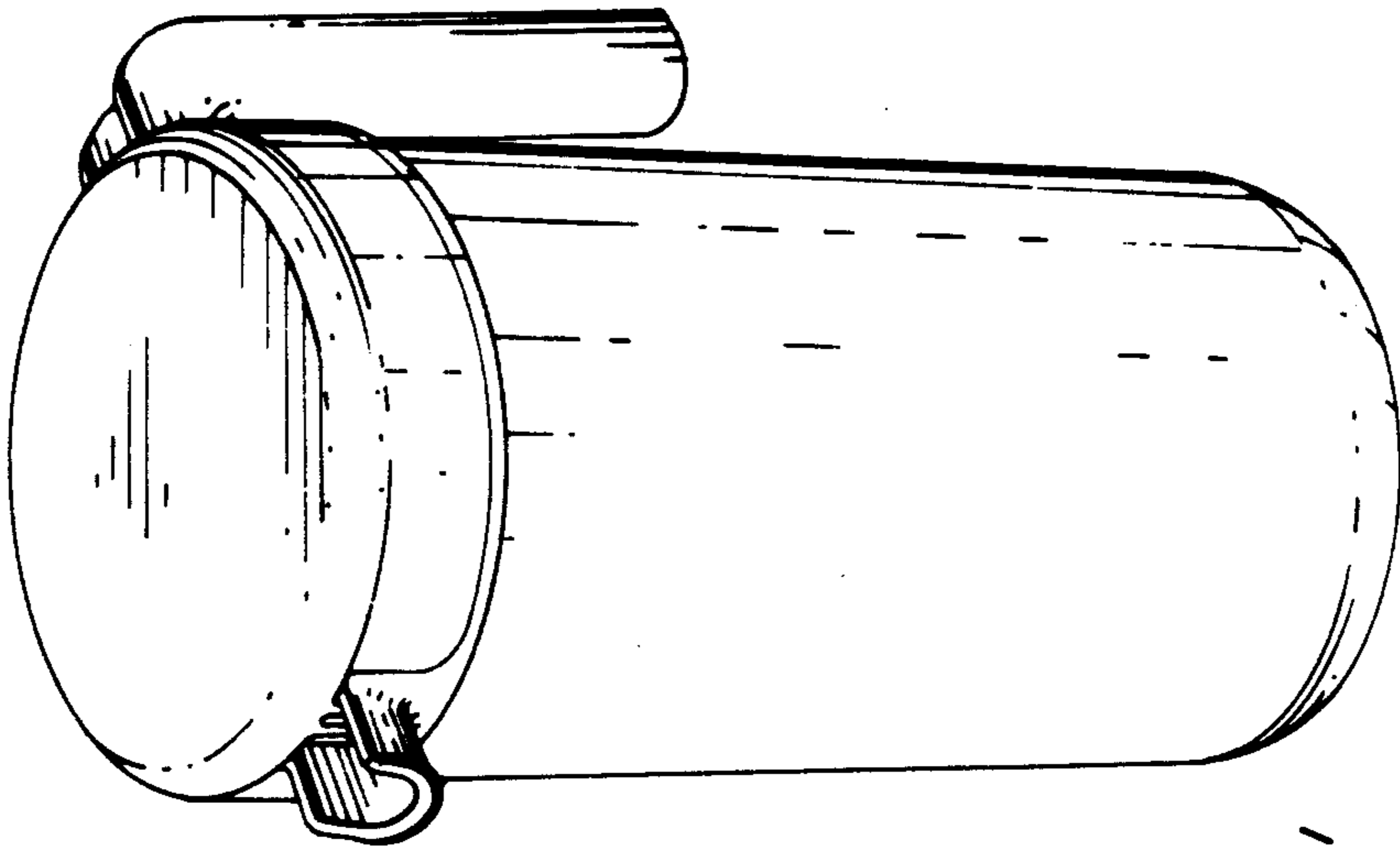


FIG. 1

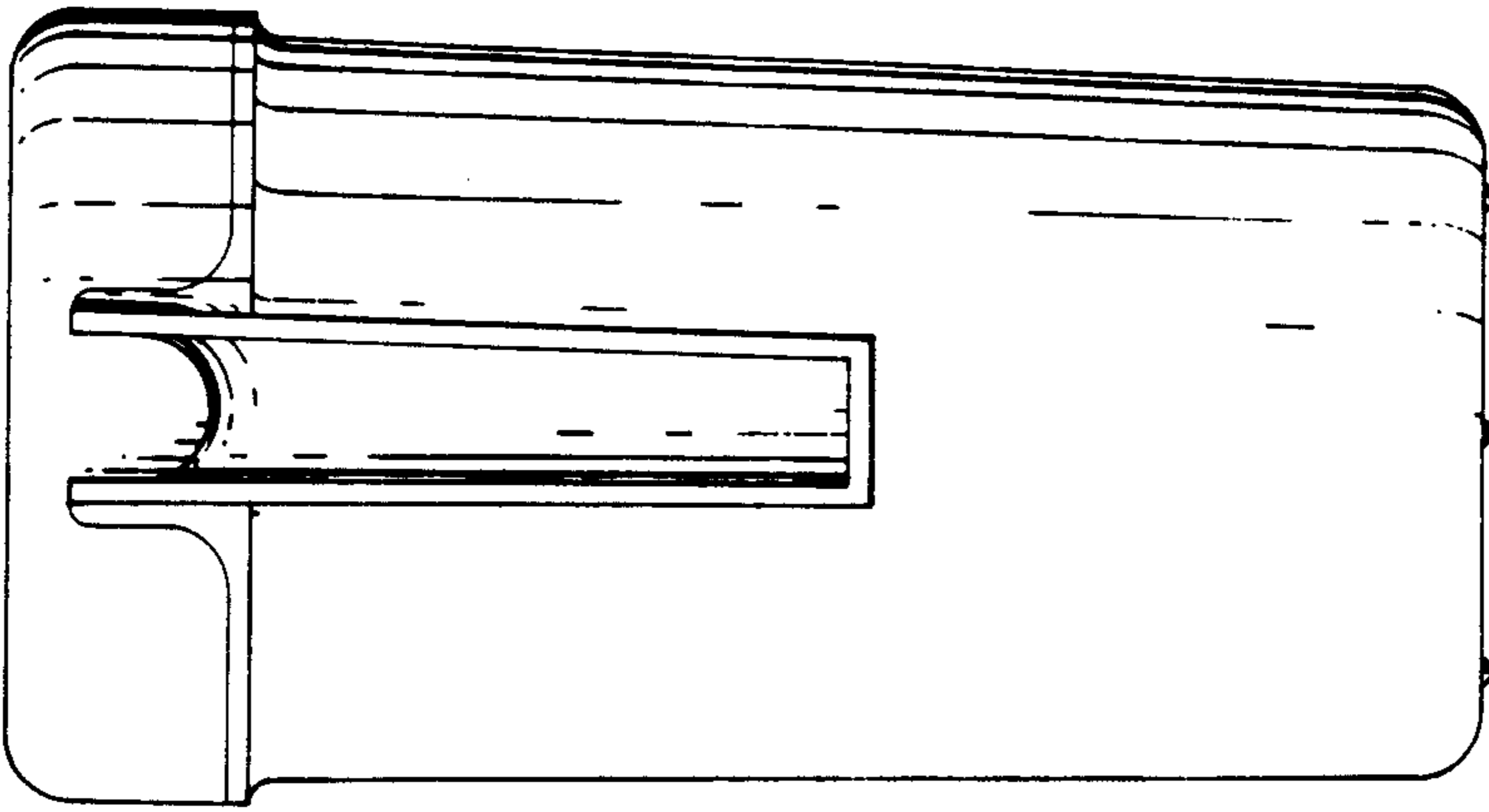


FIG. 4

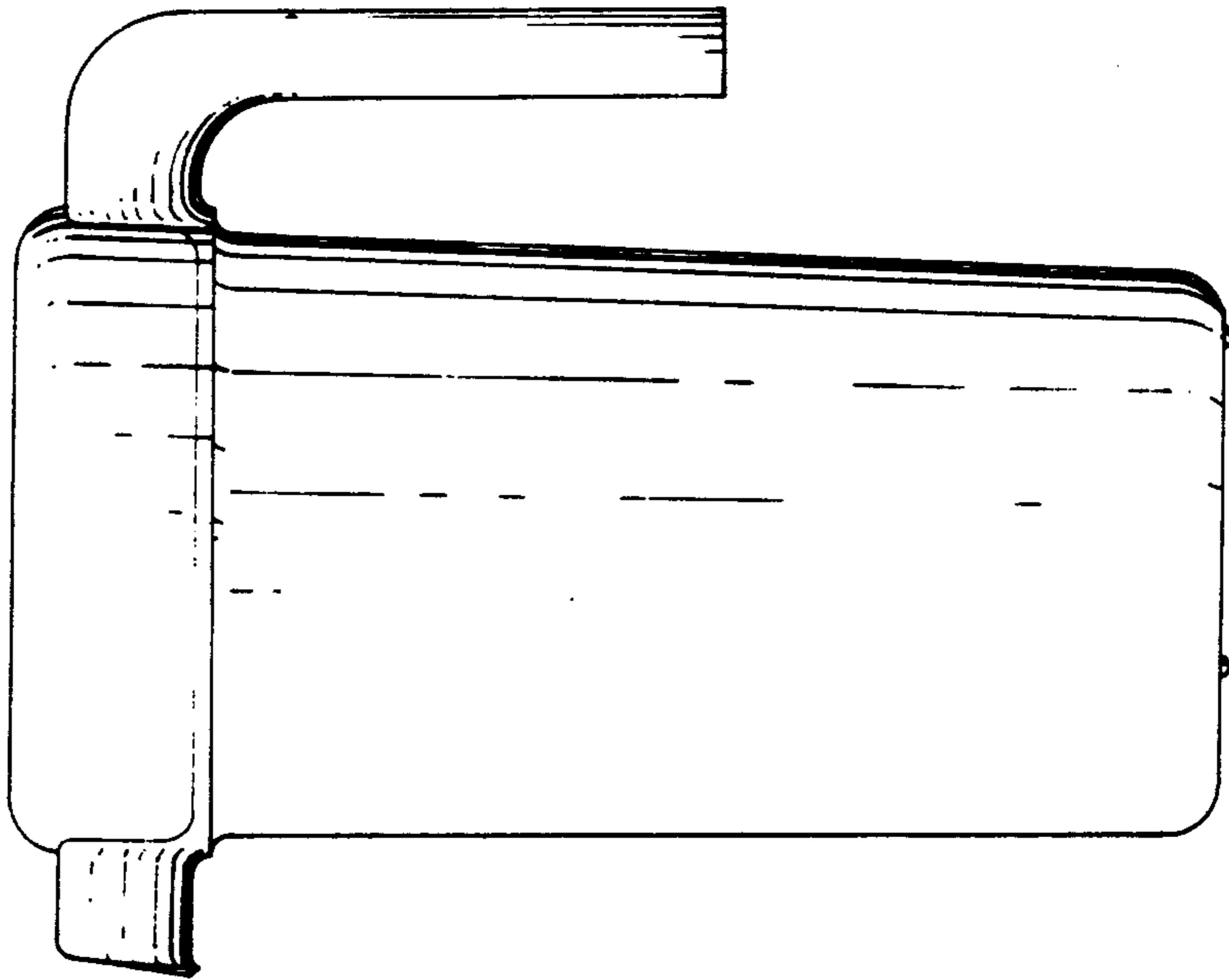


FIG. 3

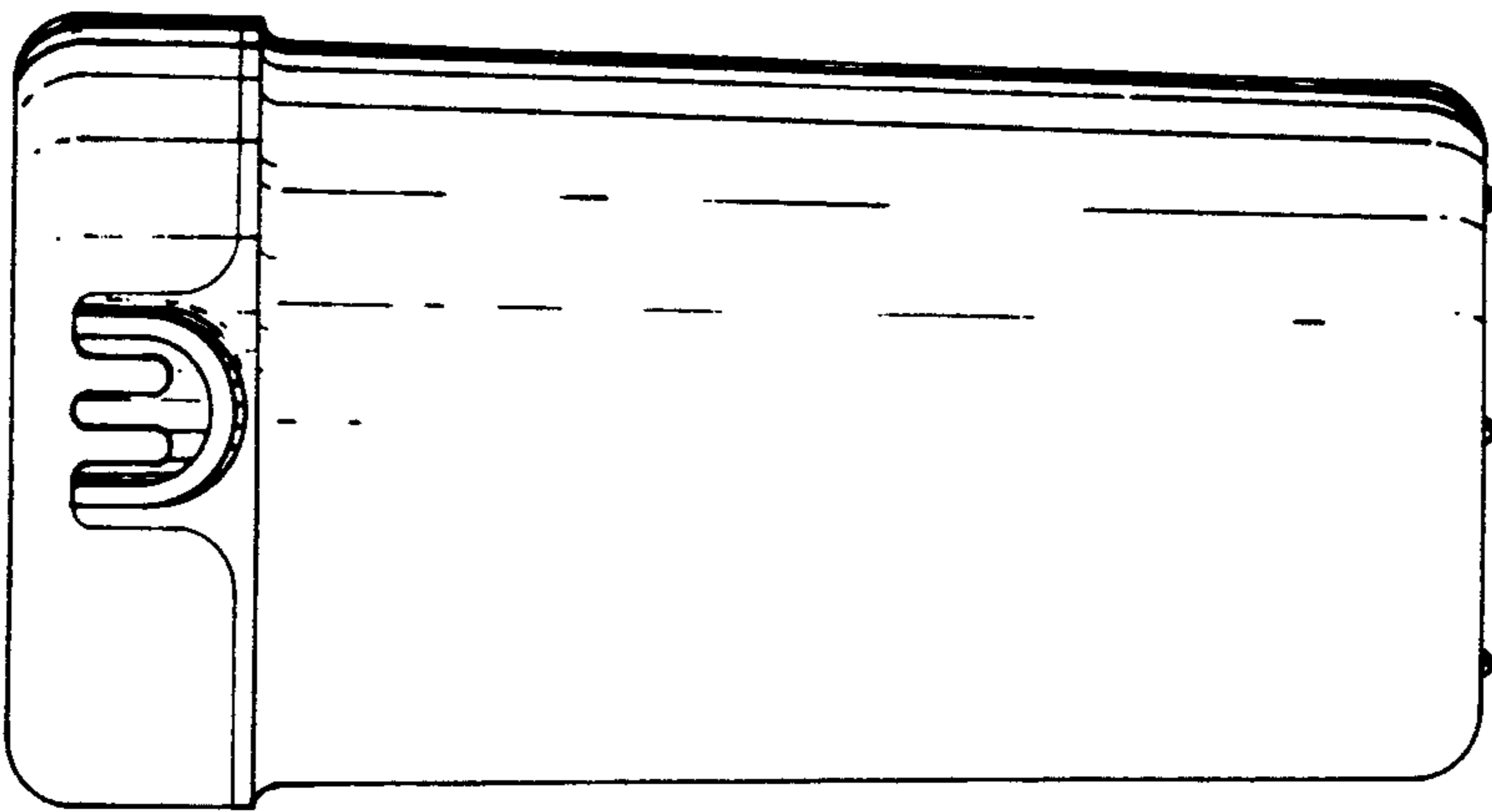


FIG. 2