

[54] SKIN TREATMENT KIT  
[75] Inventor: Fran MacGregor, New Britain, Conn.  
[73] Assignee: Clairol Incorporated  
[\*\*] Term: 14 Years  
[21] Appl. No.: 852,388  
[22] Filed: Nov. 17, 1977  
[51] Int. Cl. .... D28-03  
[52] U.S. Cl. .... D4/20; D4/14; D28/61  
[58] Field of Search ..... D28/7, 9, 58, 59, 61, D28/38, 99; D24/36, 40, 41, 63; D4/13, 14, 16, 17, 19, 20; 128/260; D9/186, 193

[56] **References Cited**  
**U.S. PATENT DOCUMENTS**  
D. 206,982 2/1967 Giacchero ..... D28/38  
D. 216,170 11/1969 Levin et al. .... D28/99

D. 245,948 10/1977 Wolff ..... D4/14

**OTHER PUBLICATIONS**

*Housewares*, 7/1976, p. 66, Norelco "Complexion Plus" Kit at bottom right.  
*Primary Examiner*—Louis S. Zarfes  
*Attorney, Agent, or Firm*—David J. Mugford

[57] **CLAIM**

The ornamental design for a skin treatment kit, as shown.

**DESCRIPTION**

FIG. 1 is an exploded perspective view of a skin treatment kit showing my new design;  
FIG. 2 is a perspective view of the kit;  
FIG. 3 is a side elevational view of the kit as shown in FIG. 2;  
FIG. 4 is another side elevational view of the kit as shown in FIG. 2;  
FIG. 5 is a top plan view of the kit as shown in FIG. 2.

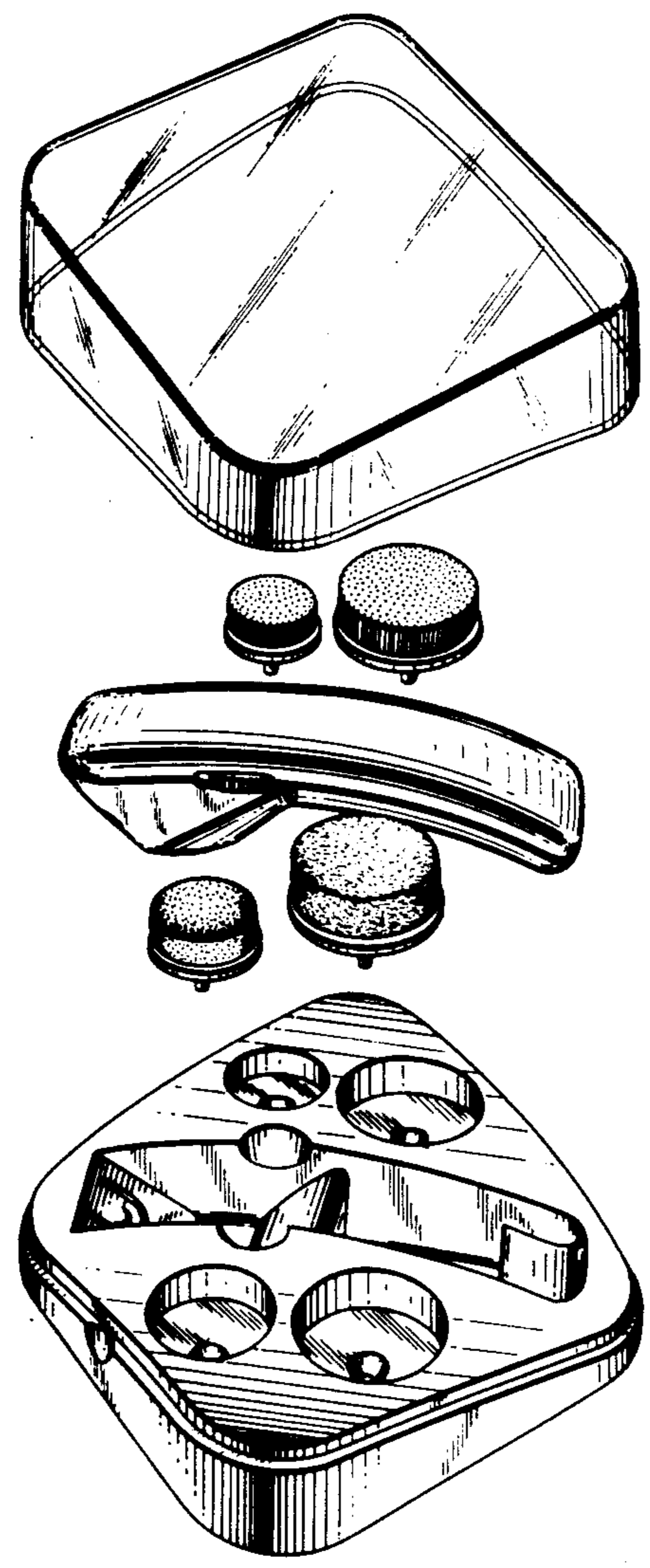
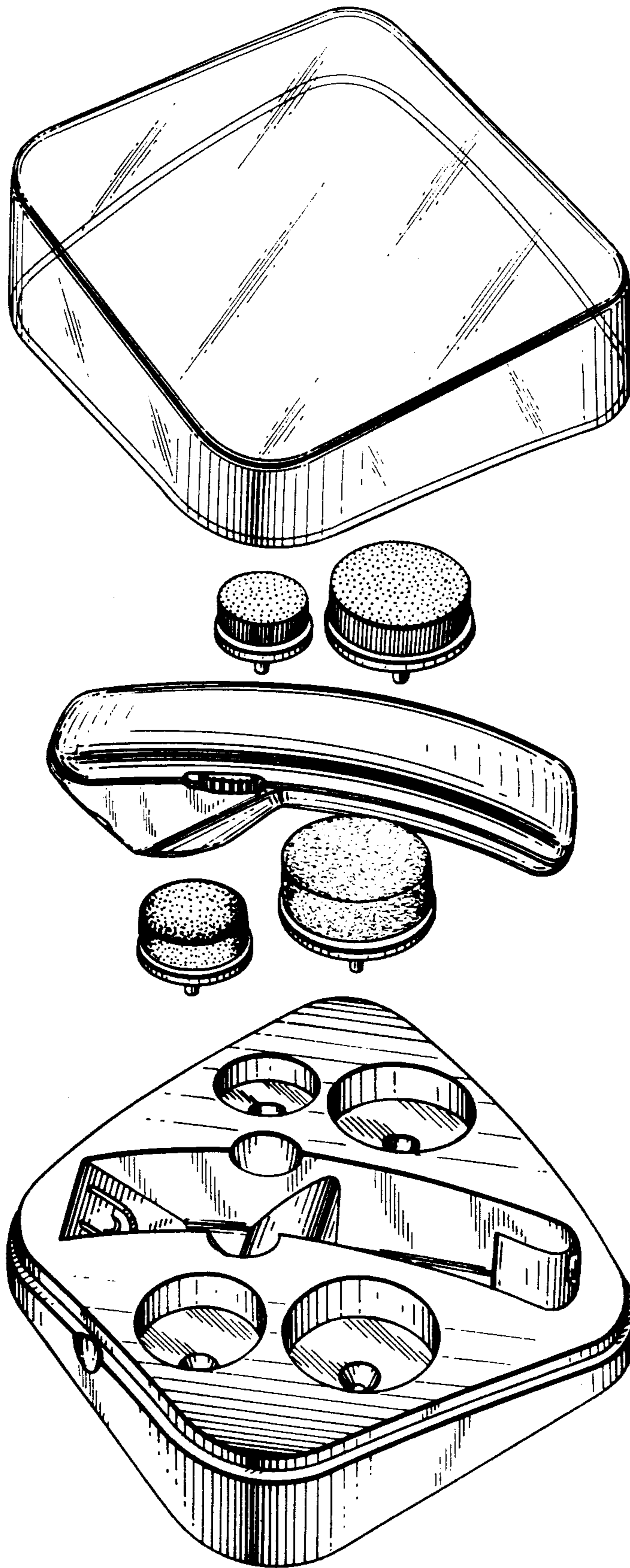
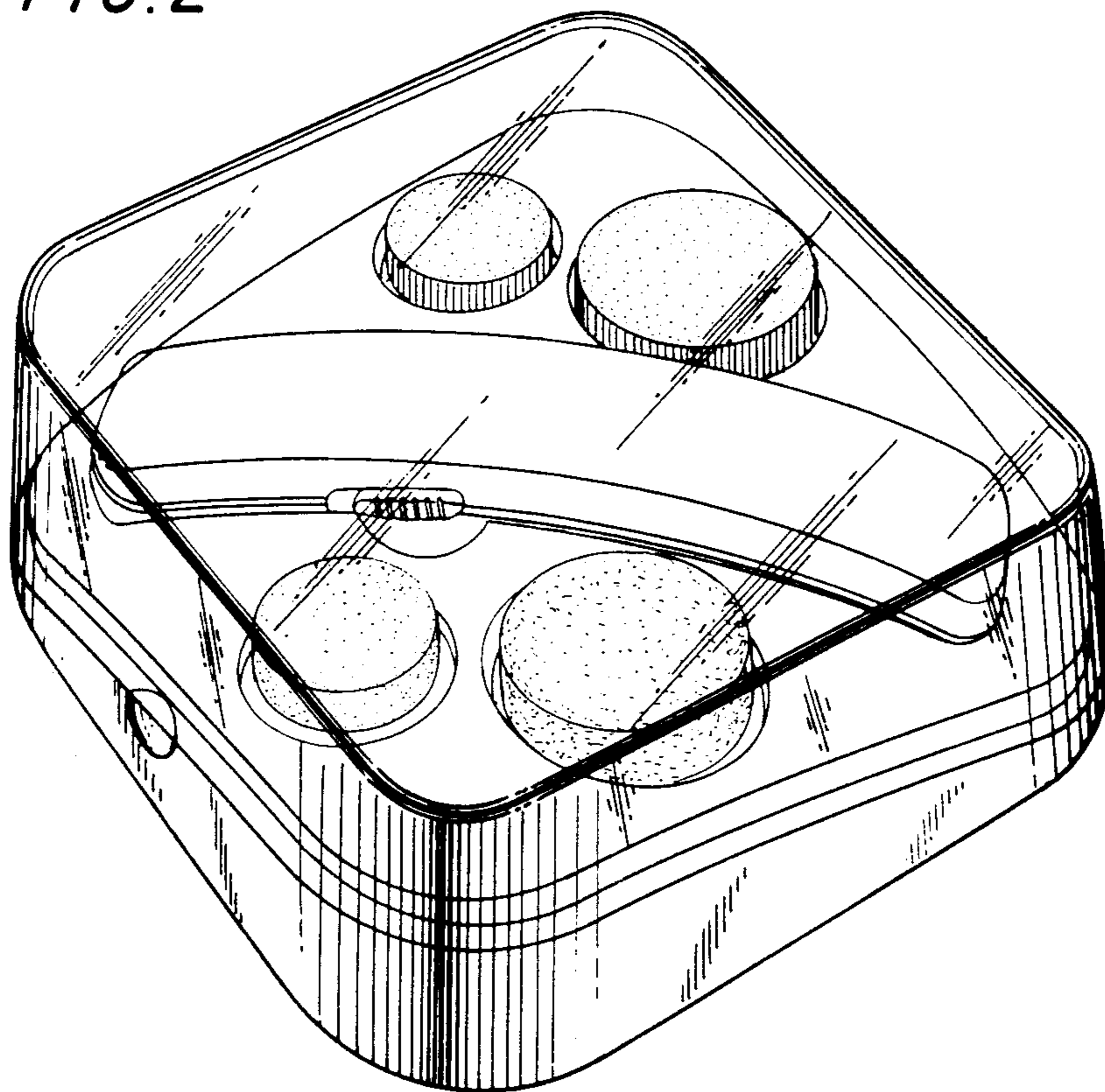


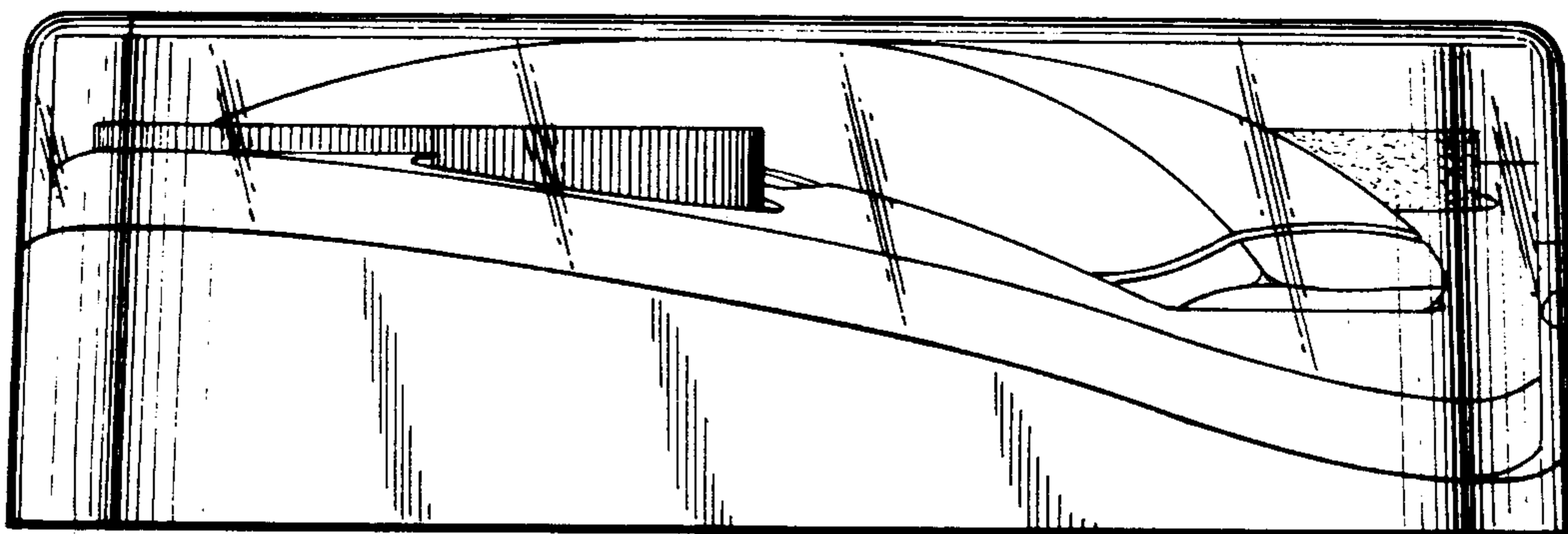
FIG. 1



*FIG. 2*

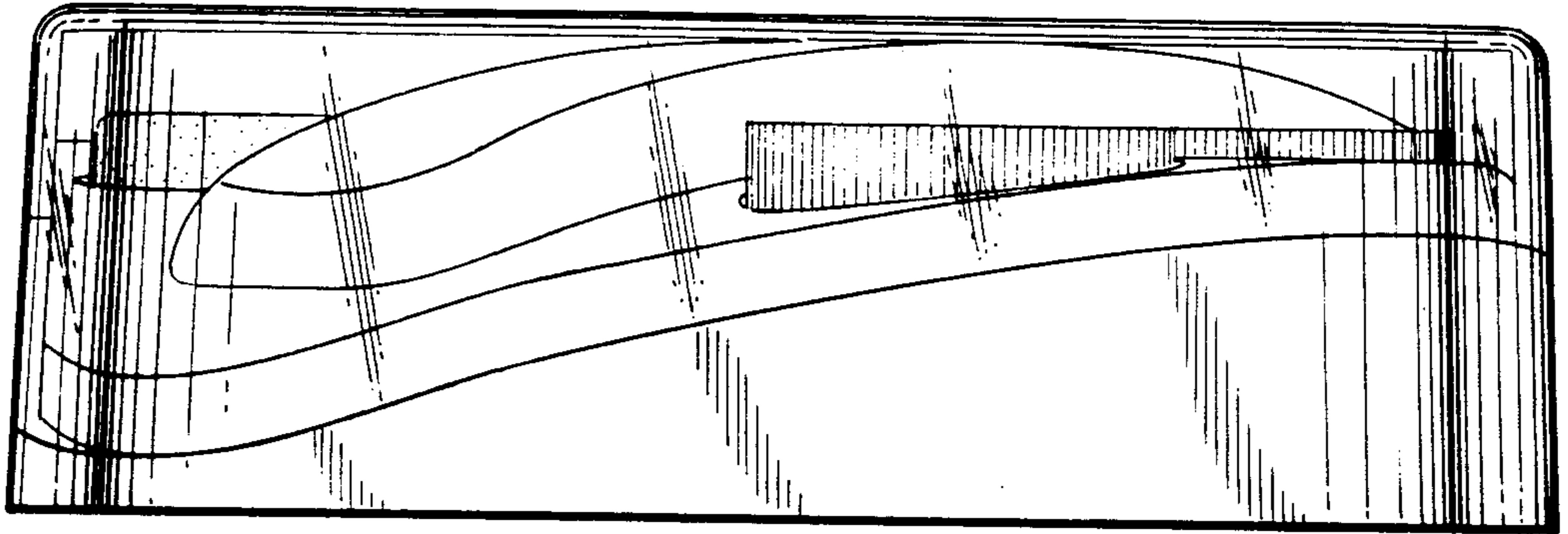


*FIG. 3*





*FIG. 4*



*FIG. 5*

