

[54] CONTAINER FOR VETERINARY PRODUCTS OR SIMILAR ARTICLES

1,794,426 3/1931 Taylor D9/216
3,880,484 4/1975 Sicina D3/75

[76] Inventor: William G. Papciak, 4 Cambridge Way, East Windsor, N.J. 08520

Primary Examiner—Joel Stearman
Assistant Examiner—George P. Word
Attorney, Agent, or Firm—Arthur L. Plevy

[**] Term: 14 Years

[21] Appl. No.: 885,783

[57] CLAIM

[22] Filed: Mar. 13, 1978

The ornamental design for a container for veterinary products or similar articles, substantially as shown and described.

[51] Int. Cl. D3—02

[52] U.S. Cl. D3/66; D3/69

[58] Field of Search D3/30, 44, 74, 75, 66; D9/216, 193; 206/363

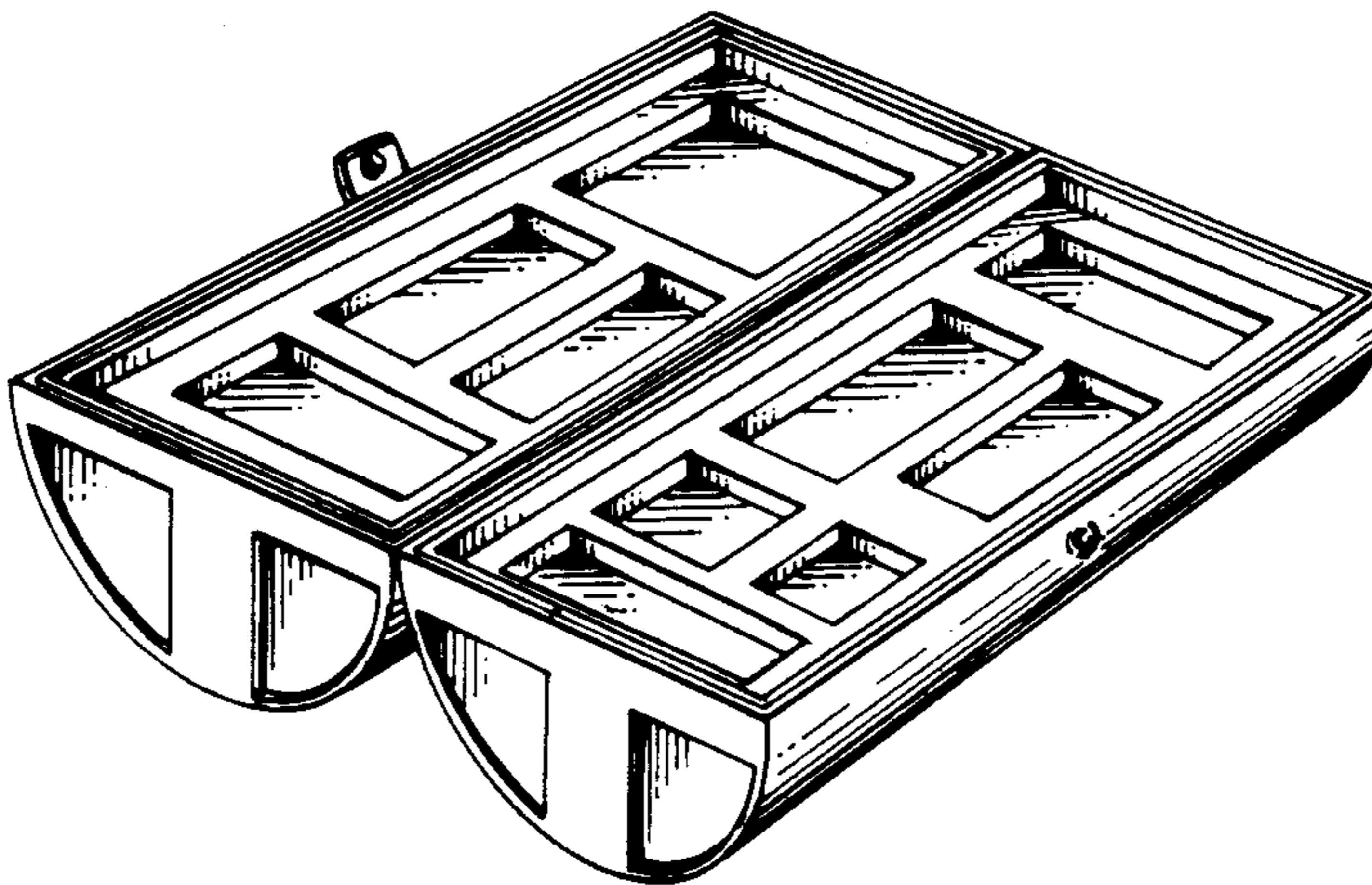
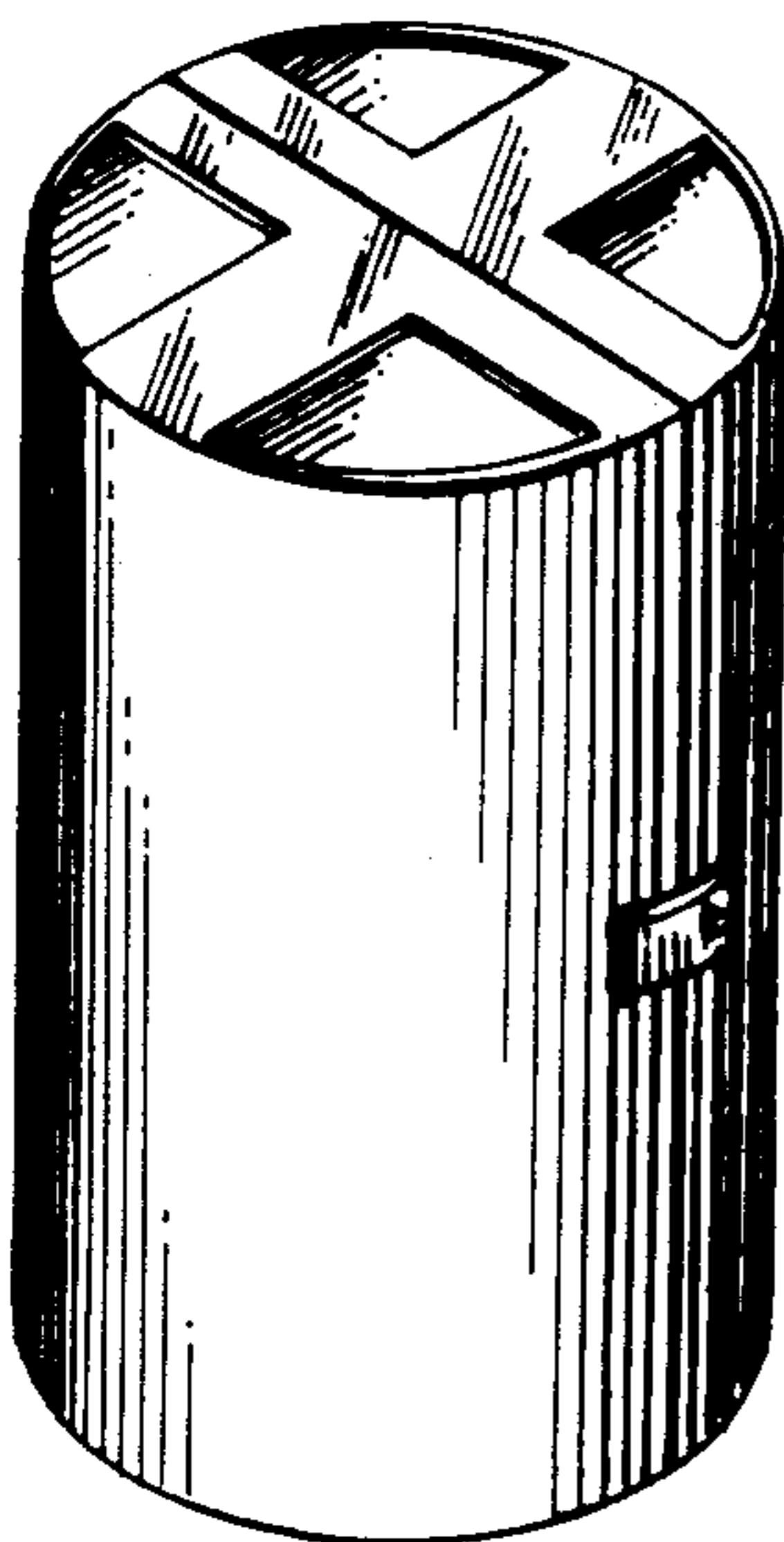
DESCRIPTION

[56] References Cited

U.S. PATENT DOCUMENTS

D. 167,029 6/1952 Donahue et al. D3/75
D. 238,751 2/1976 MacGrossen D9/216

FIG. 1 is a perspective view of a container for veterinary products showing my new design;
FIG. 2 is a top plan view thereof;
FIG. 3 is a bottom plan view;
FIG. 4 is a rear elevational view; and
FIG. 5 is a perspective view thereof in an opened condition.



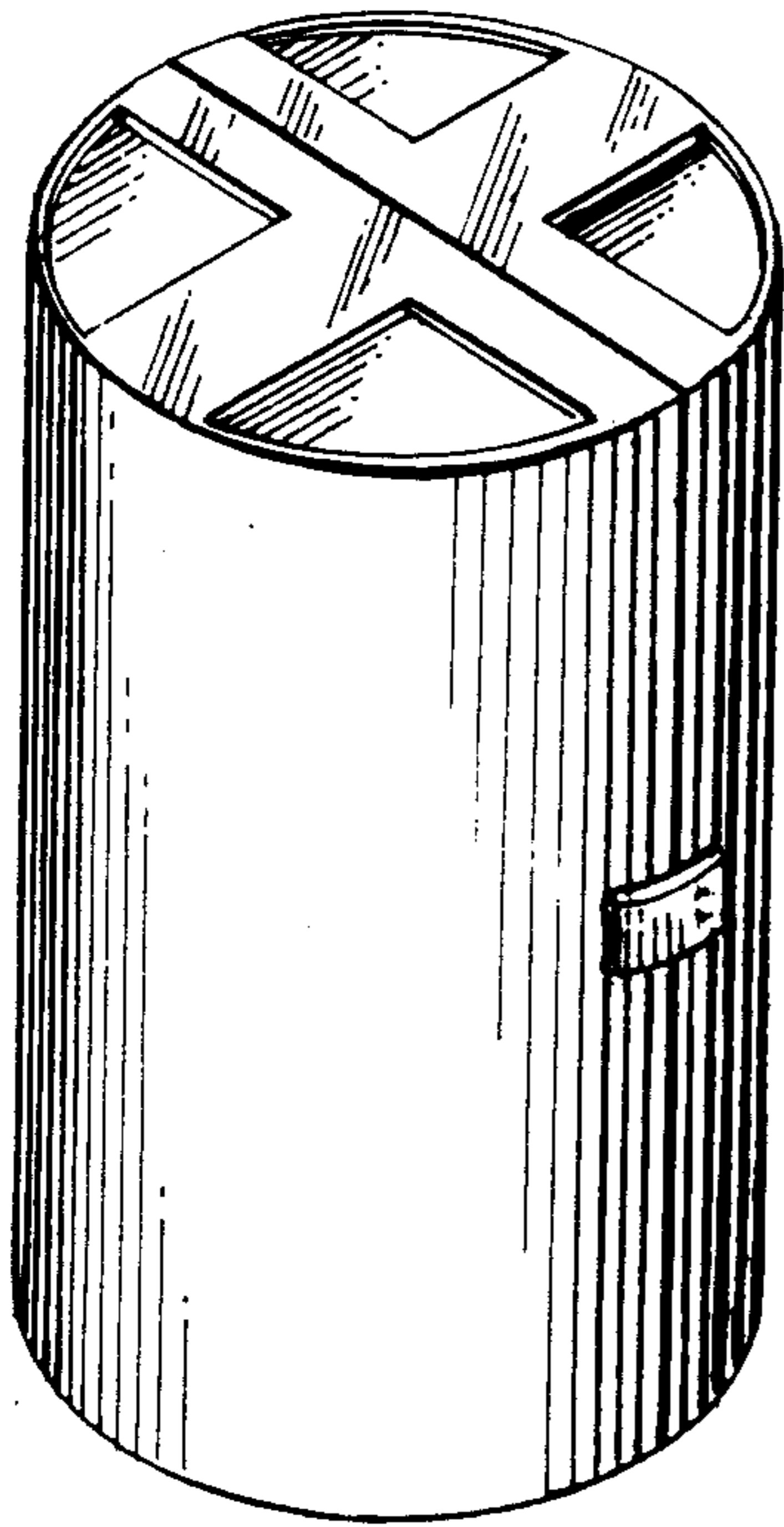


Fig. 1.

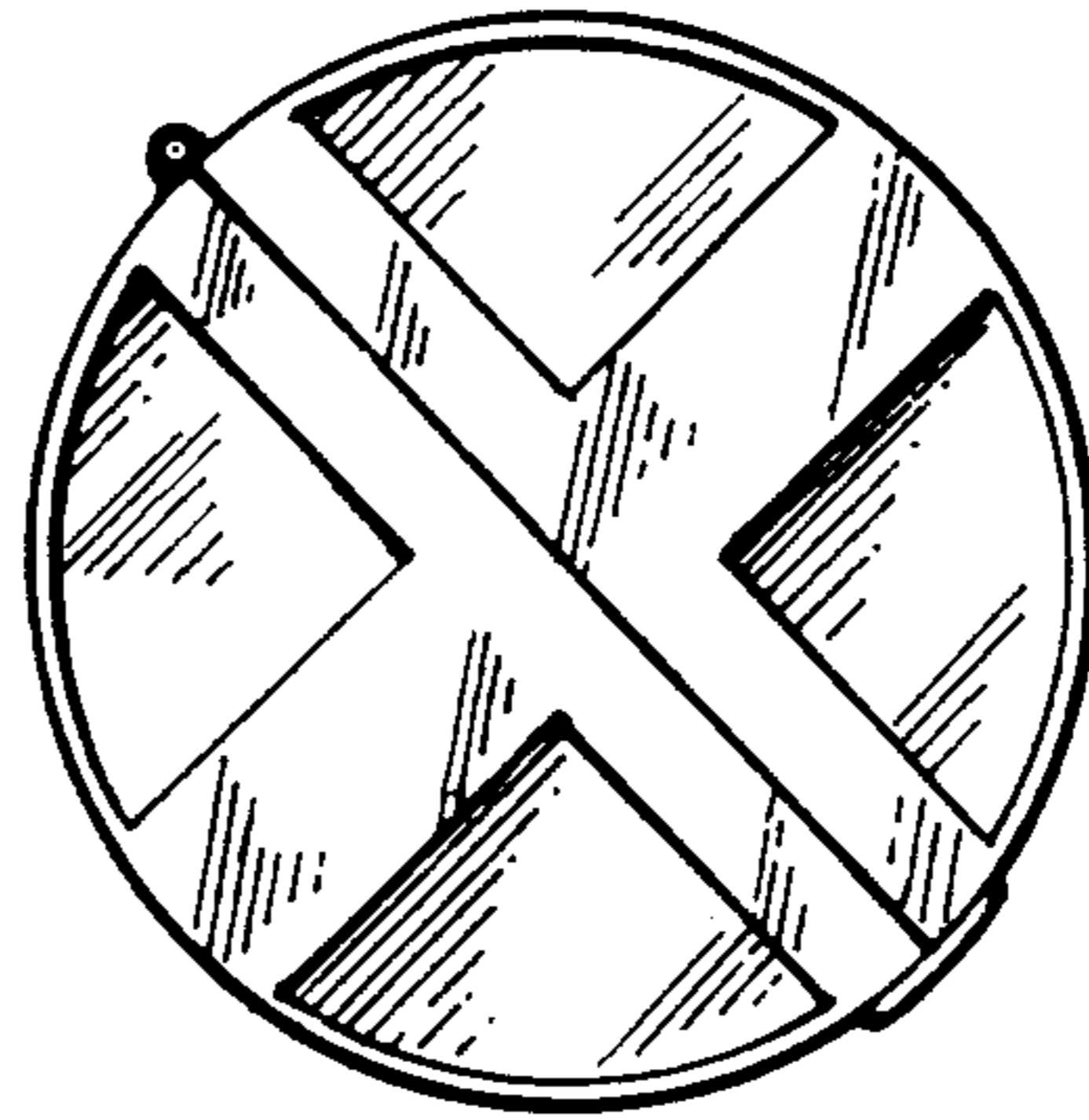


Fig. 2.

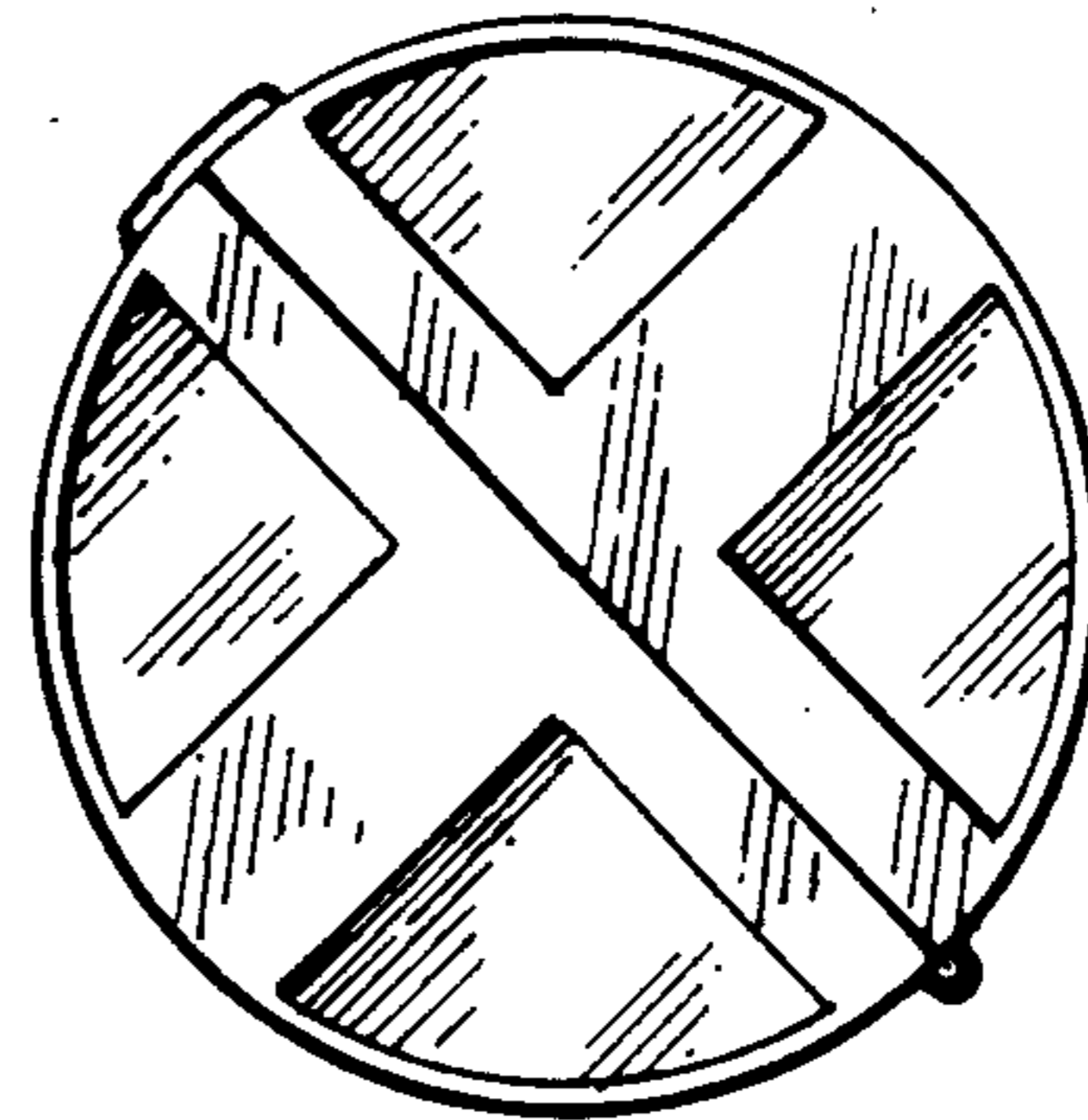


Fig. 3.

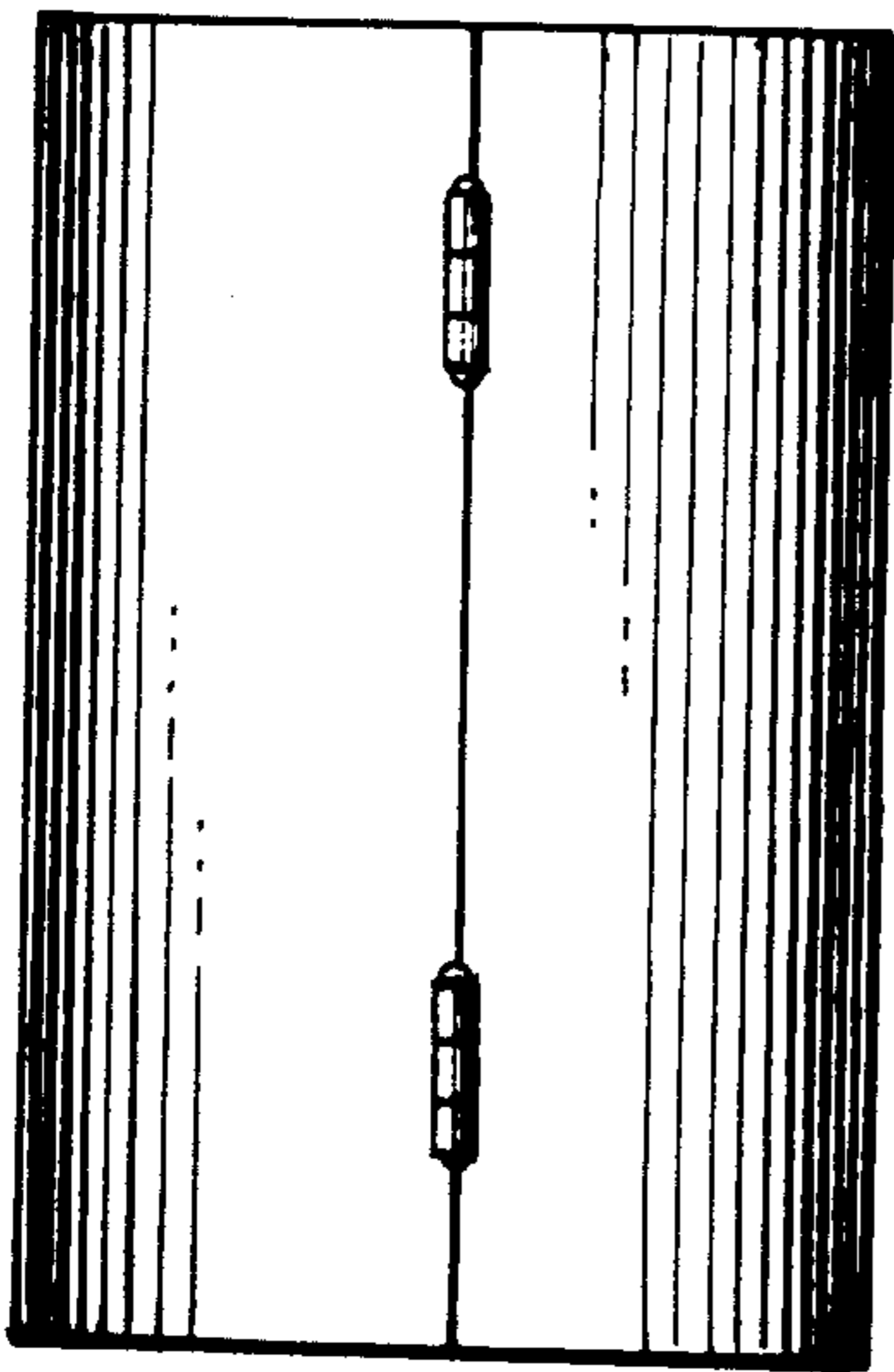


Fig. 4.

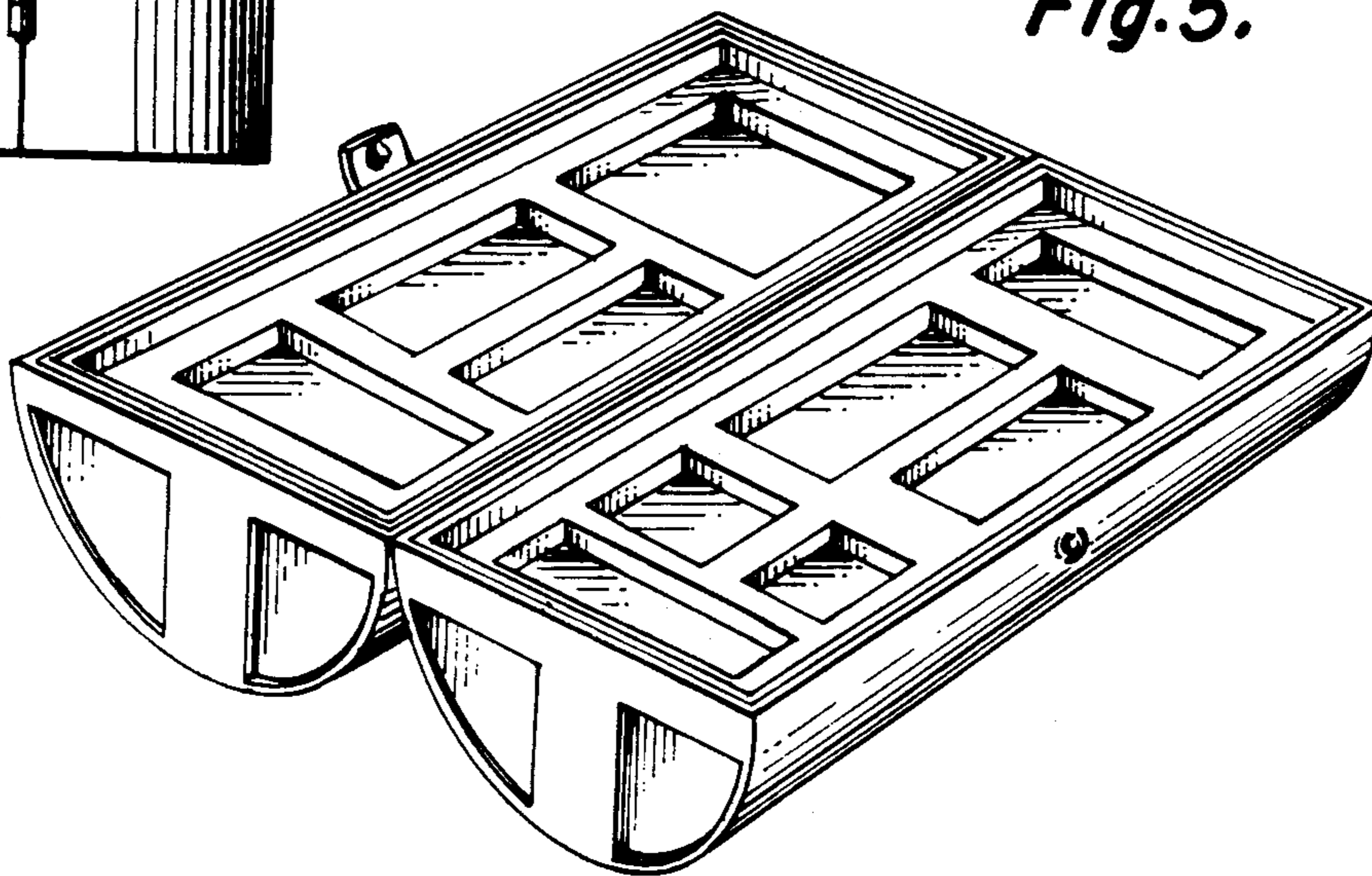


Fig. 5.