

[54] PLANT HOLDER

[76] Inventor: **Walton J. Smith**, Rte. 4, Grafton, N.H. 03240

[**] Term: **14 Years**

[21] Appl. No.: **886,294**

[22] Filed: **Mar. 13, 1978**

[51] Int. Cl. **D11-02**

[52] U.S. Cl. **D11/152**

[58] Field of Search **D11/143-149, D11/151-156, 164; D7/17; D19/65, 75, 95; D9/119, 131, 216; 47/14, 16, 41 R, 41 SS, 33, 55, 59, 61, 66-69, 71, 72, 83, 85-87, 79, 81**

[56]

References Cited

U.S. PATENT DOCUMENTS

D. 219,898	2/1971	Buckley	D7/17
3,848,358	11/1974	Messmer	D11/145
4,135,331	1/1979	Lamlee	47/61

Primary Examiner—Wallace R. Burke

Assistant Examiner—B. J. Bullock

Attorney, Agent, or Firm—Roberts B. Larson

[57]

CLAIM

The ornamental design for a plant holder, as shown.

DESCRIPTION

FIG. 1 is a perspective view of a plant holder showing my new design;

FIG. 2 is a side view thereof;

FIG. 3 is a top plan view thereof;

FIG. 4 is a bottom view thereof.

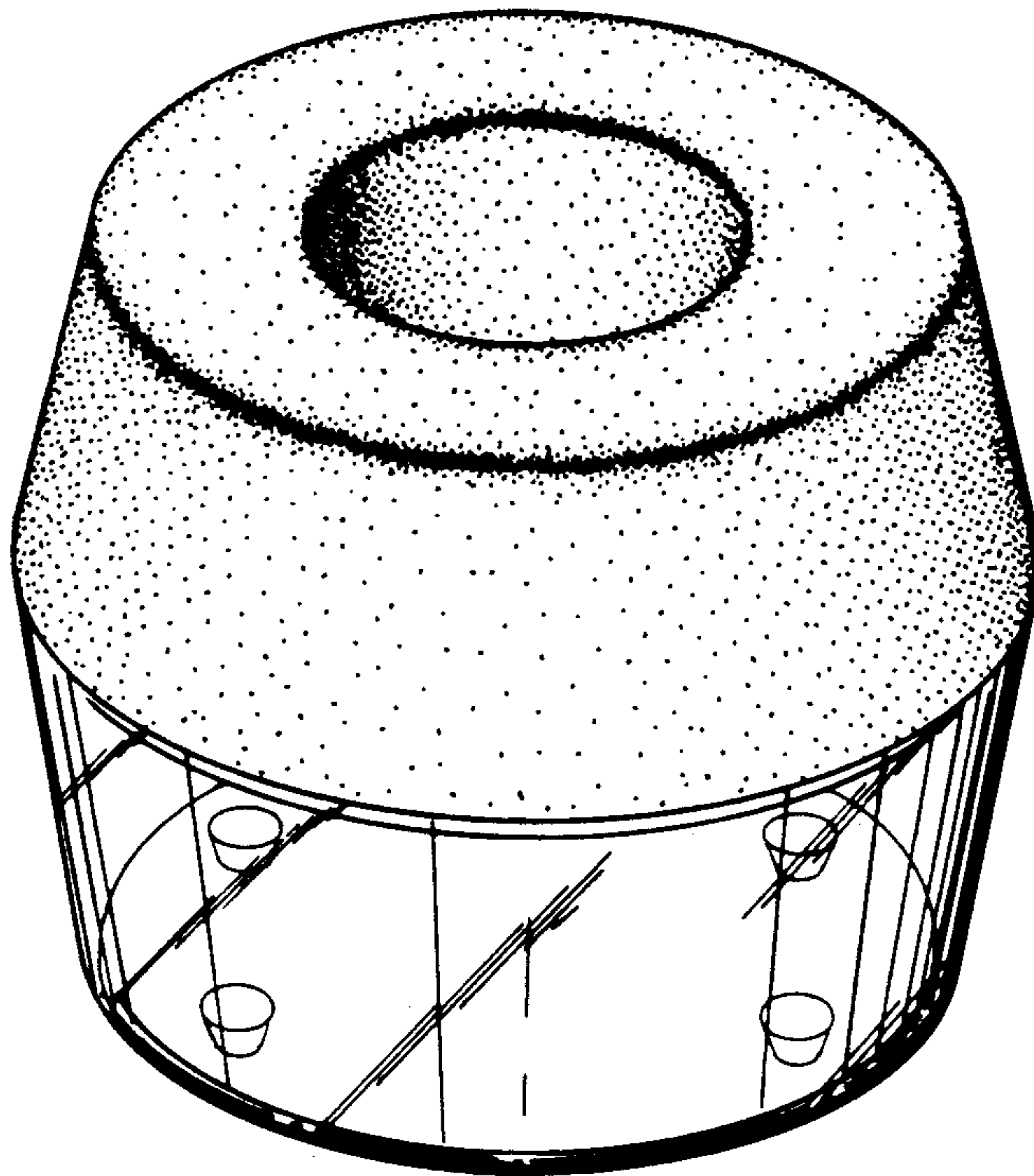


FIG. 1

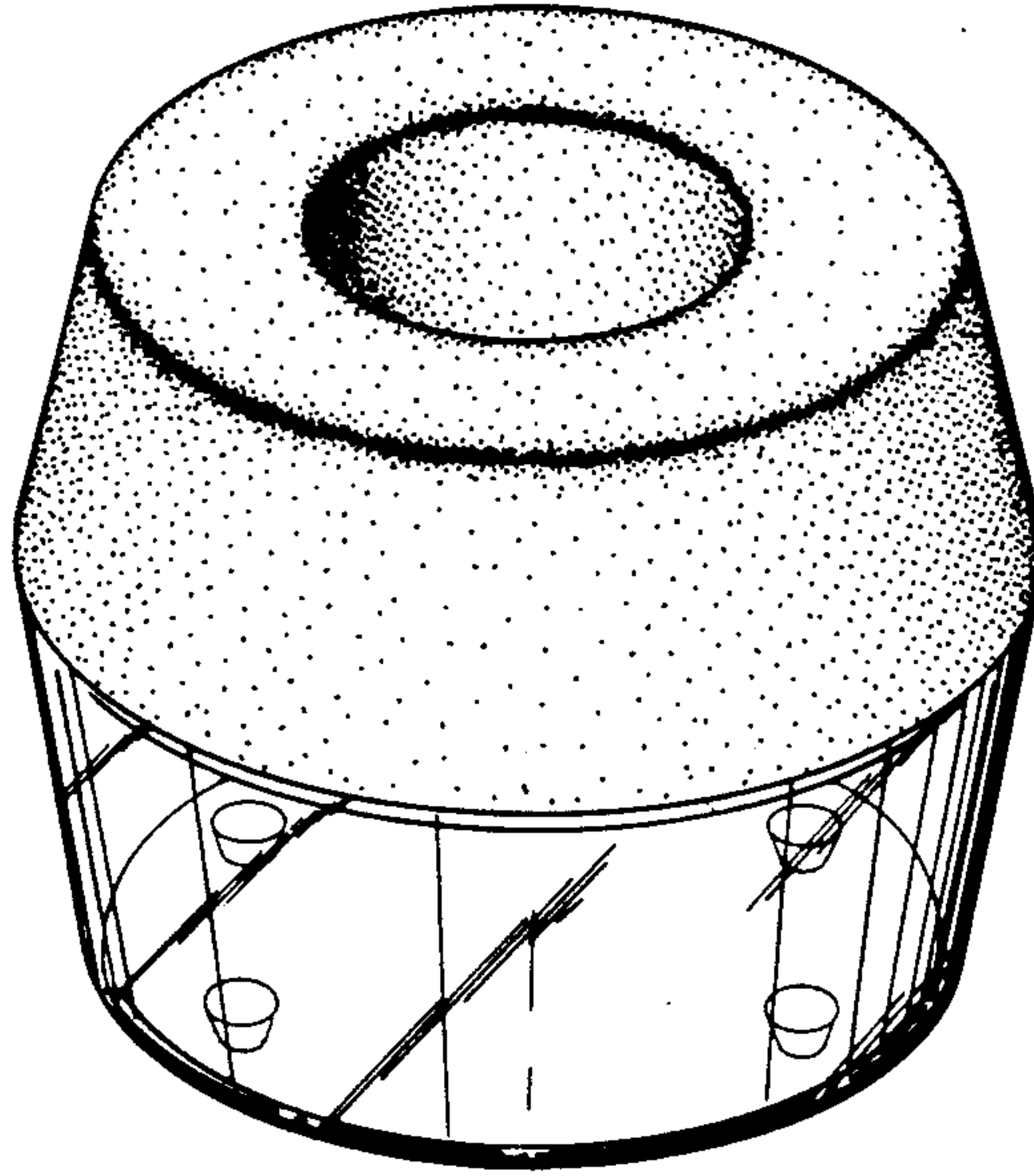


FIG. 2

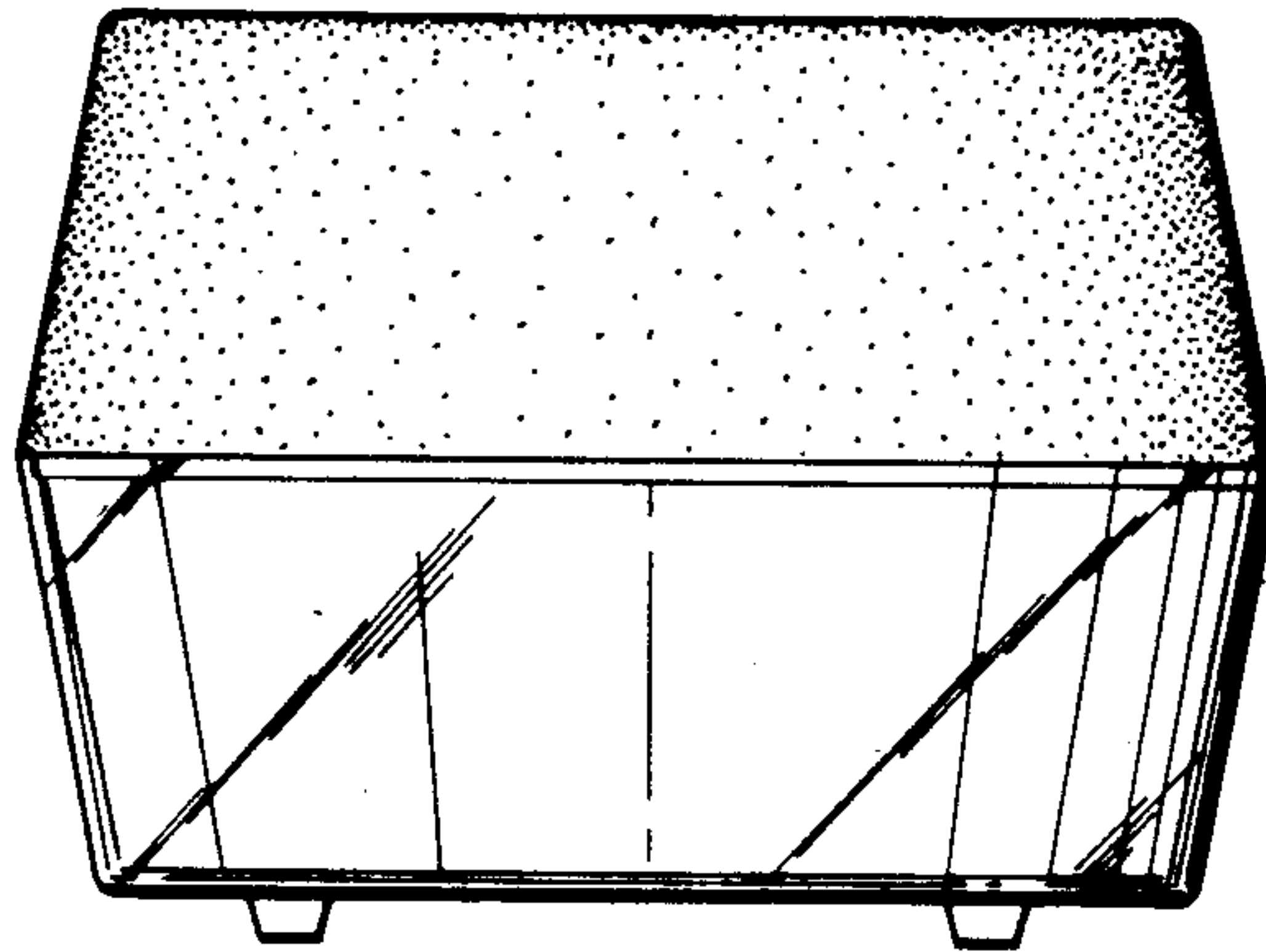


FIG. 3

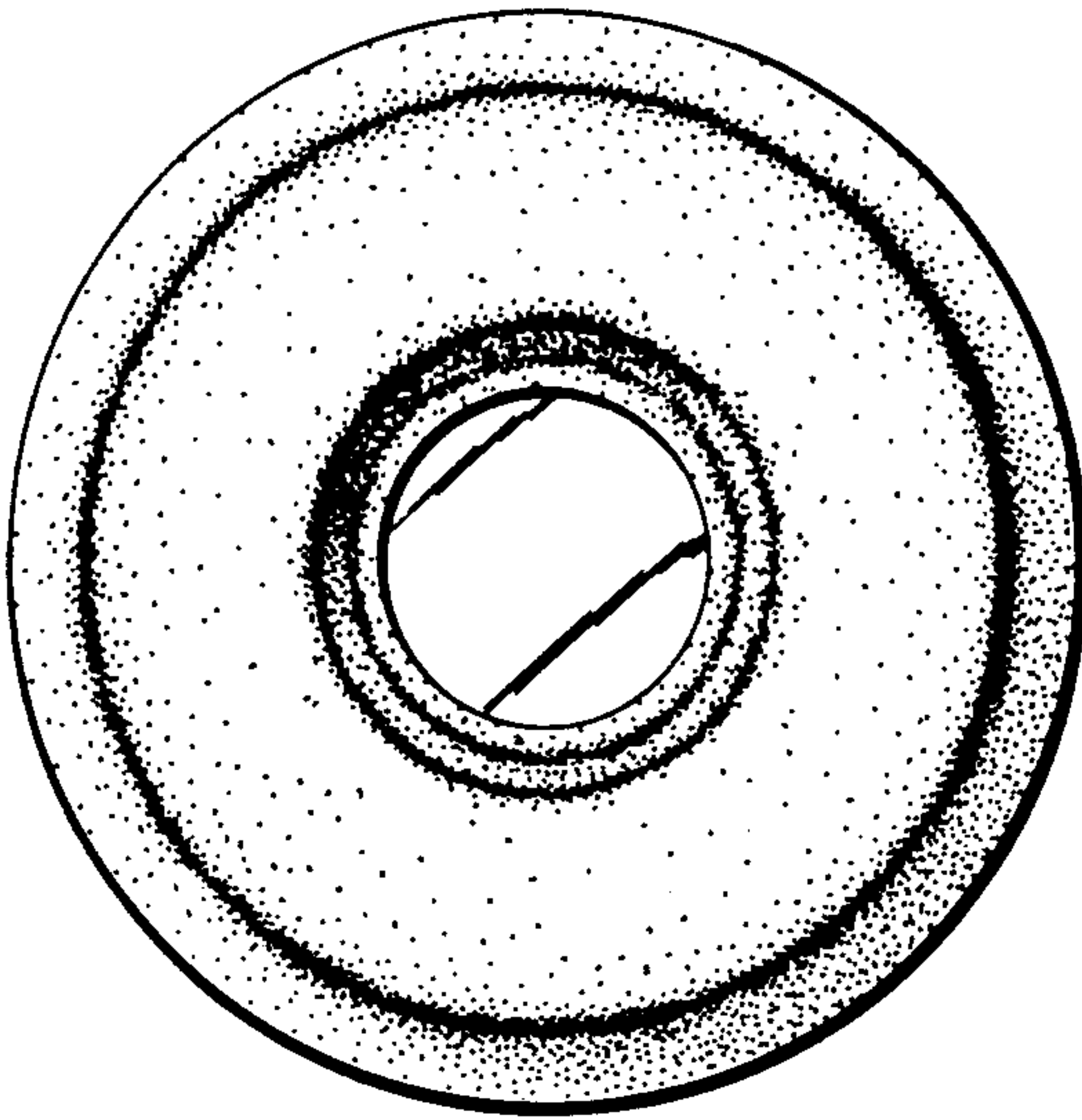


FIG. 4

