

[54] COMBUSTION DETECTOR

[76] Inventor: James A. Odom, 14540 Genesee Ave., Apple Valley, Minn. 55124

[**] Term: 14 Years

[21] Appl. No.: 866,316

[22] Filed: Jan. 3, 1978

[51] Int. Cl. D10-05

[52] U.S. Cl. D10/106

[58] Field of Search D10/106, 104, 121; 340/500, 506, 511, 514, 541, 545, 546, 547, 551, 552, 555, 556, 558, 561, 565, 577, 578, 584, 586, 587, 593-595, 628, 629

[56] References Cited

U.S. PATENT DOCUMENTS

D. 204,526 4/1966 Storm D10/106
D. 240,120 6/1976 Pasquette D10/106

Primary Examiner—Susan J. Lucas

Attorney, Agent, or Firm—Henry L. Hanson

[57] CLAIM

The ornamental design for a combustion detector, substantially as shown and described.

DESCRIPTION

FIG. 1 is a top view of the combustion detector showing my new design,

FIG. 2 is a side view of the combustion detector of FIG. 1. The side view is substantially the same viewed from any position around the detector,

FIG. 3 is a perspective view of the combustion detector of FIG. 1 as viewed from the left side, and

FIG. 4 is a bottom view of the combustion detector.

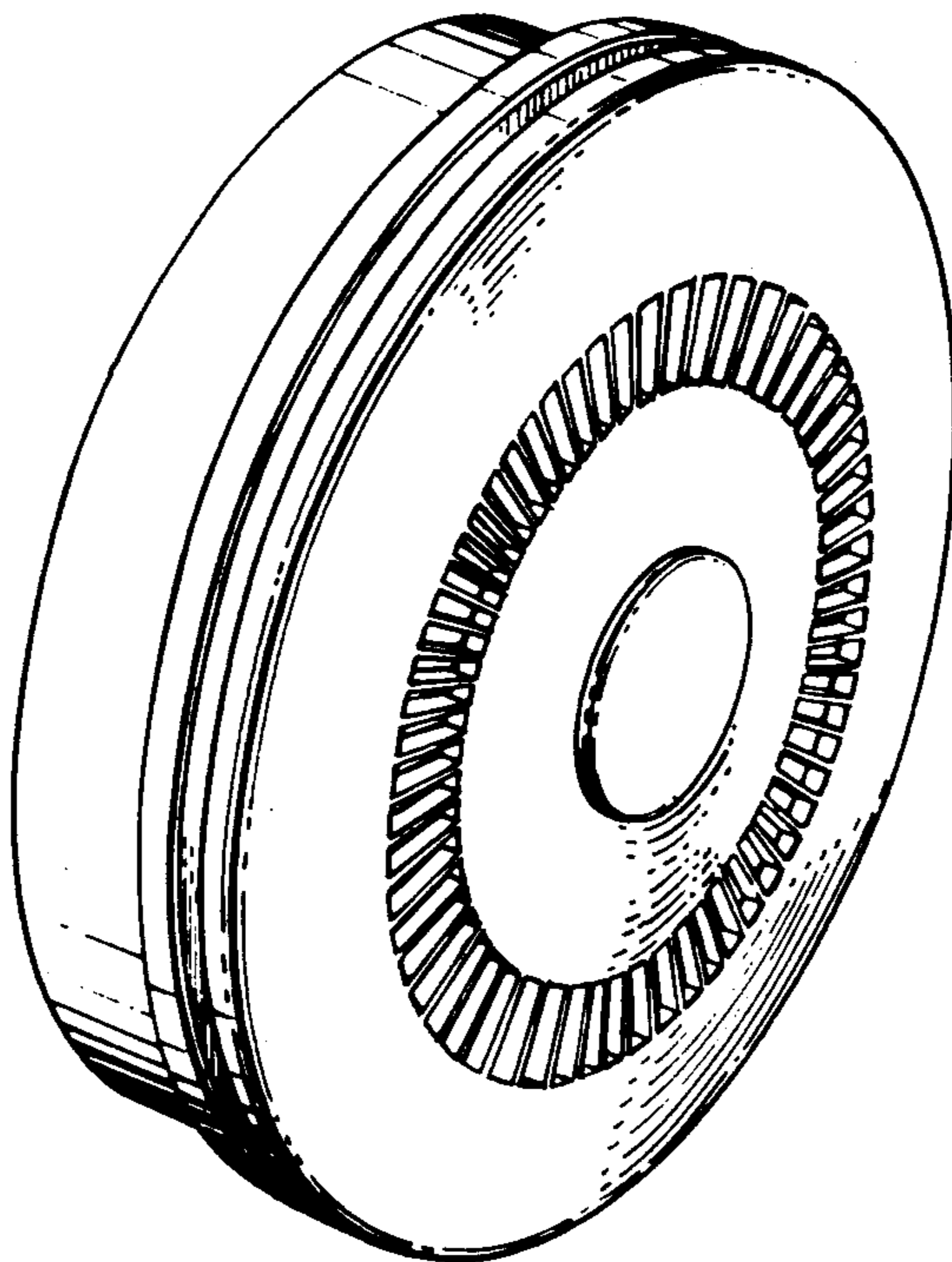


FIG. 1

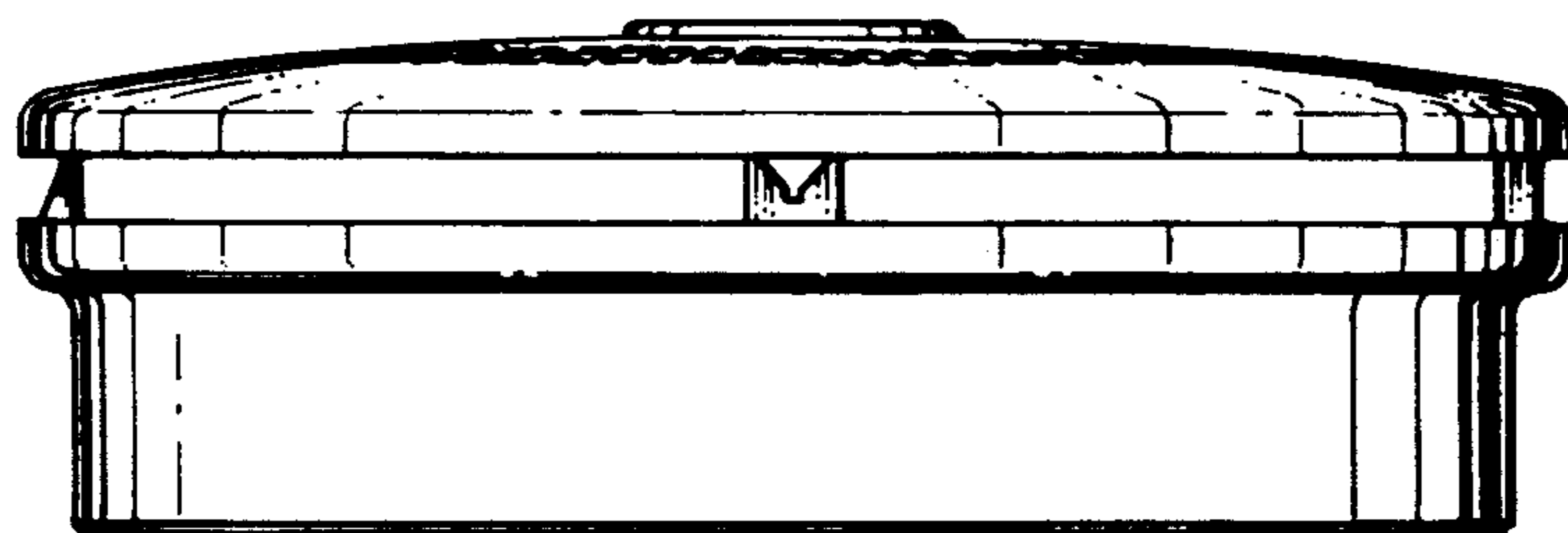
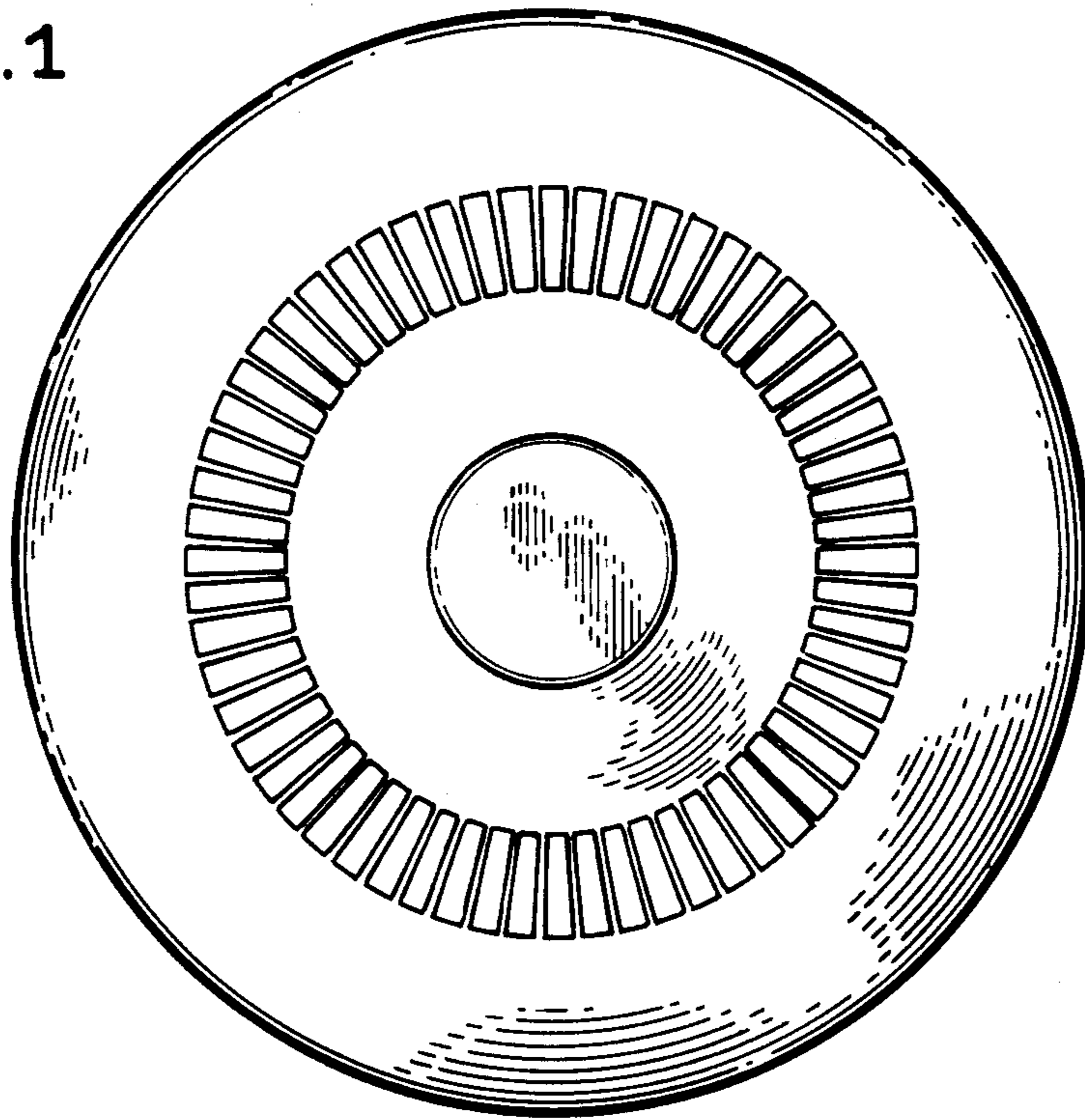


FIG. 2

FIG. 3

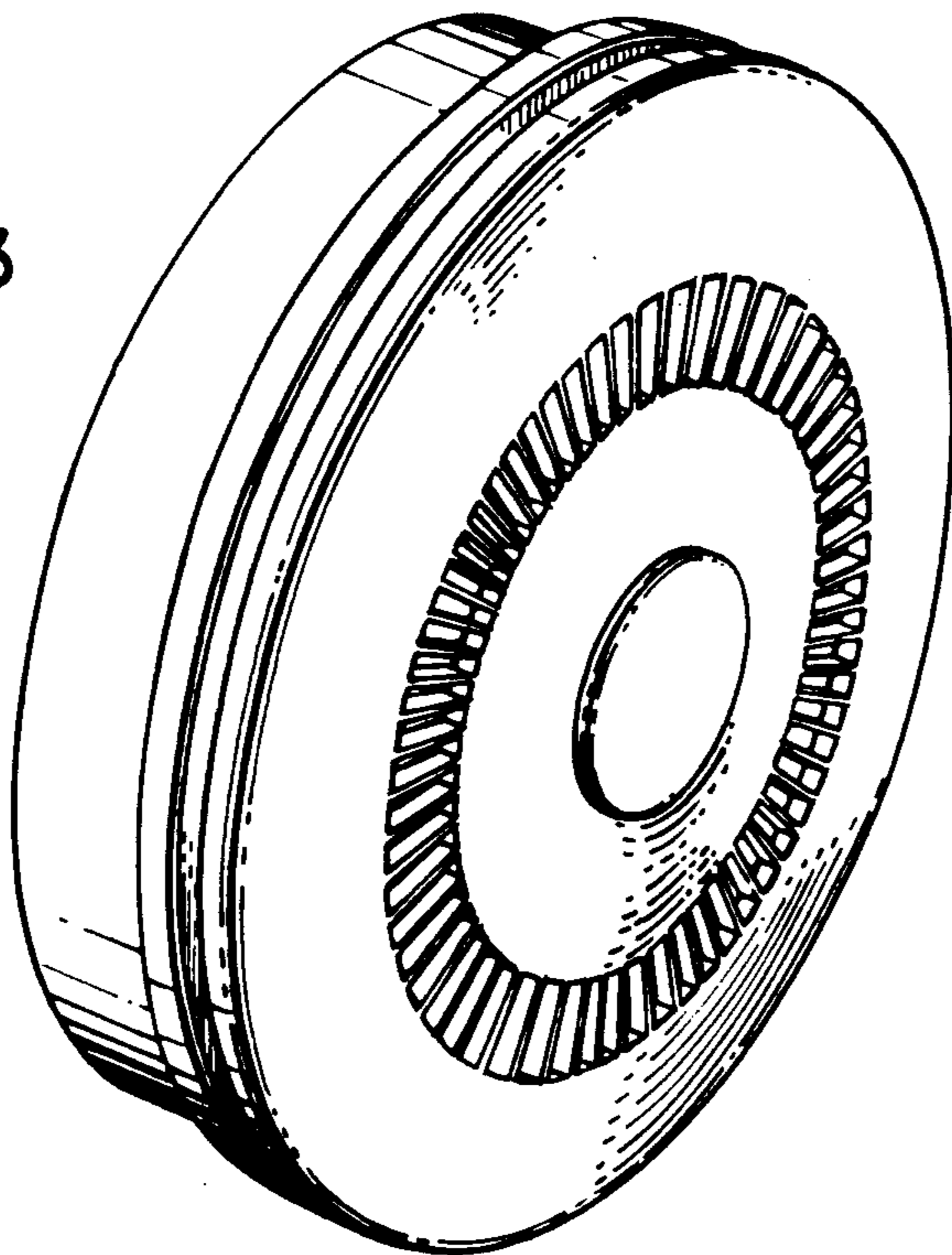


FIG. 4

