

[54] CANISTER OR THE LIKE

[76] Inventor: **Andre Morin**, 59 Place Mansfield,
Dollard des Ormeaux, Quebec,
Canada

[**] Term: **14 Years**

[21] Appl. No.: **898,509**

[22] Filed: **Apr. 20, 1978**

[51] Int. Cl. **D7-07**

[52] U.S. Cl. **D7/79; D9/216**

[58] Field of Search **D7/3, 41, 16, 17, 79,
D7/81, 51, 52, 54; D9/216, 217, 218, 162, 164,
158, 169**

[56] **References Cited**

U.S. PATENT DOCUMENTS

D. 184,461	2/1959	Sherman	D7/78
D. 217,438	5/1970	Balbach et al.	D7/17 X
D. 228,114	8/1973	De La Rosa	D7/17
839,678	12/1906	Trenaman	D9/216 X

OTHER PUBLICATIONS

*Woodpecker Products Flyer, #600 Metal Canister Set
"Psychedelic Mushroom Design."*

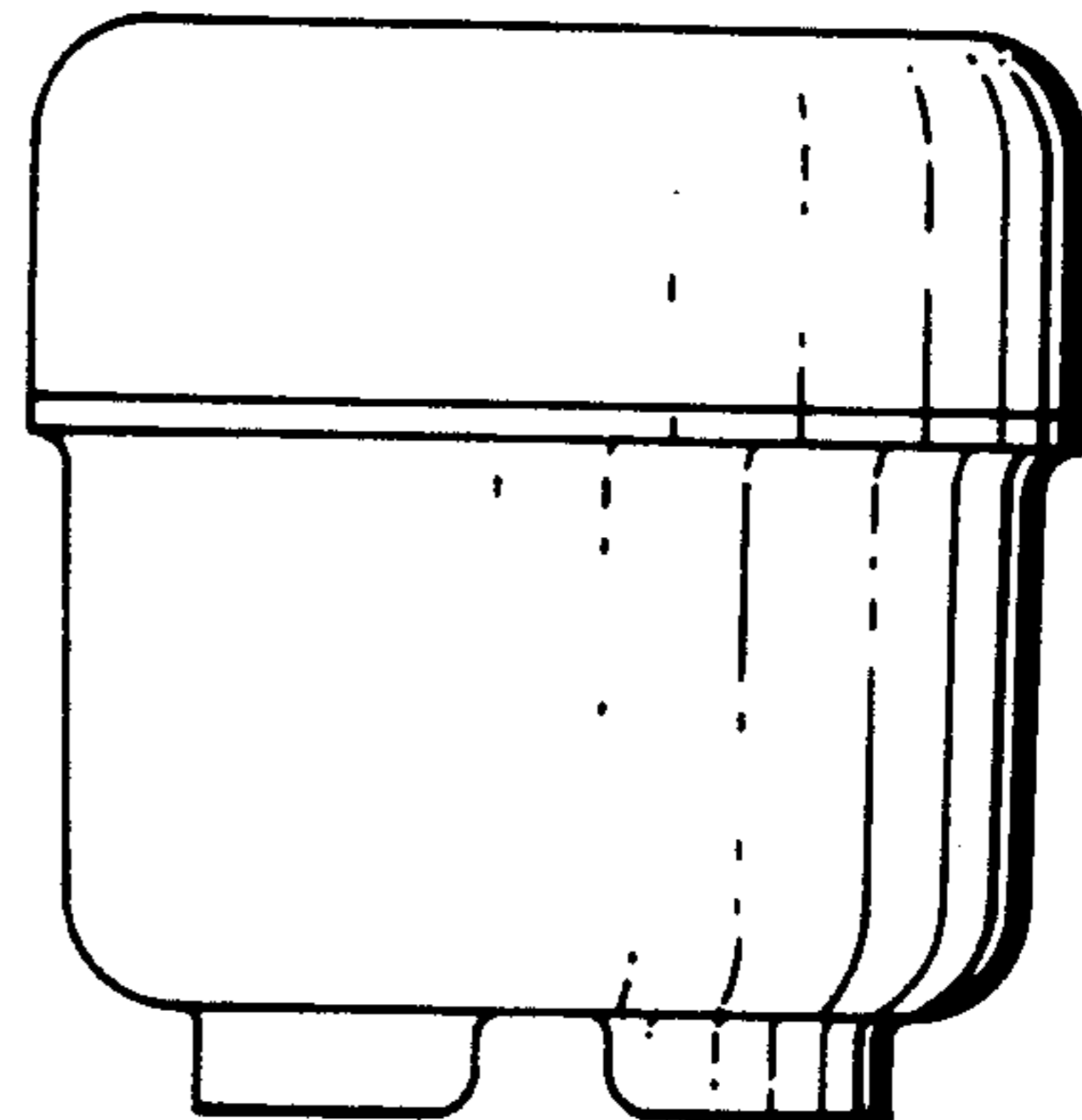
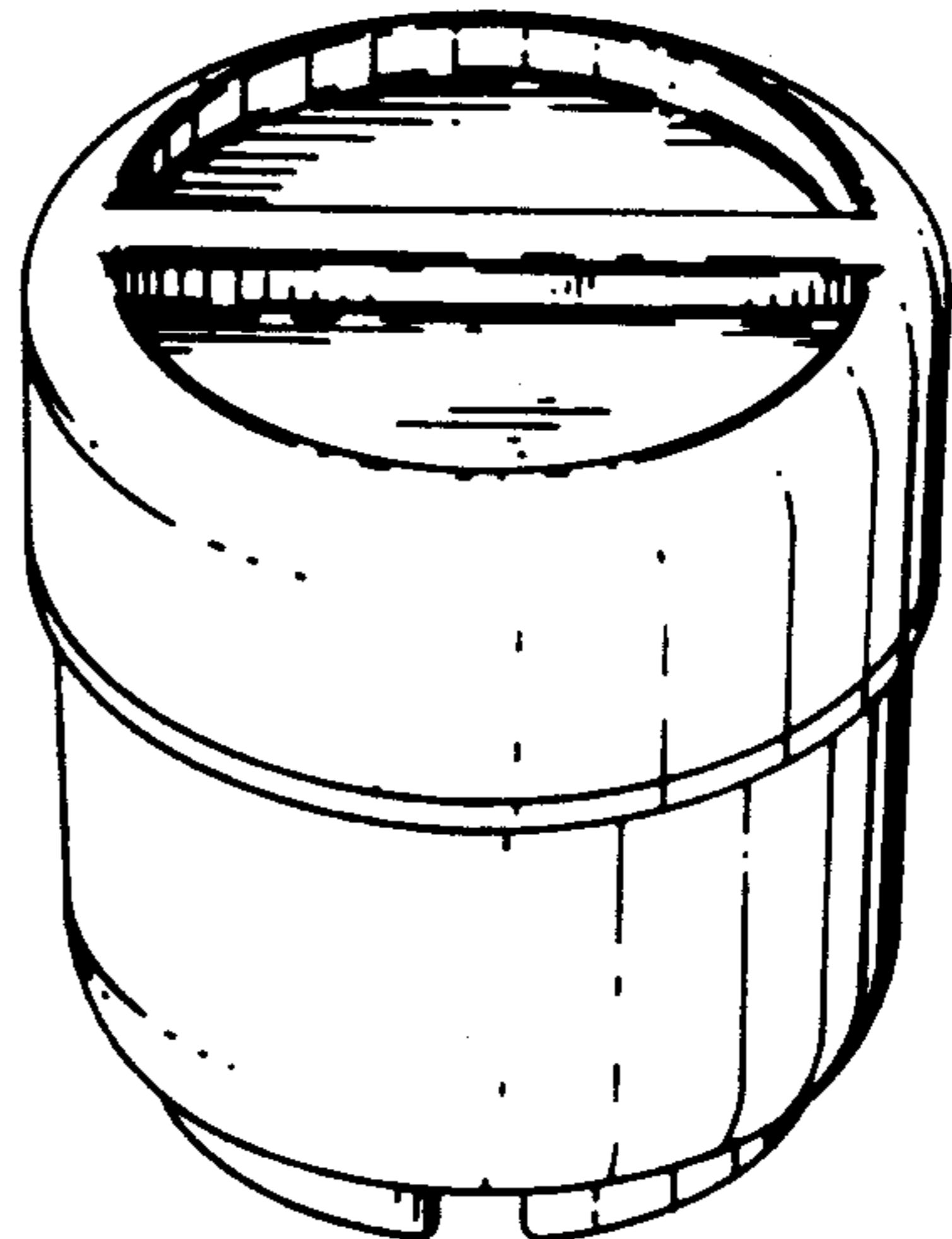
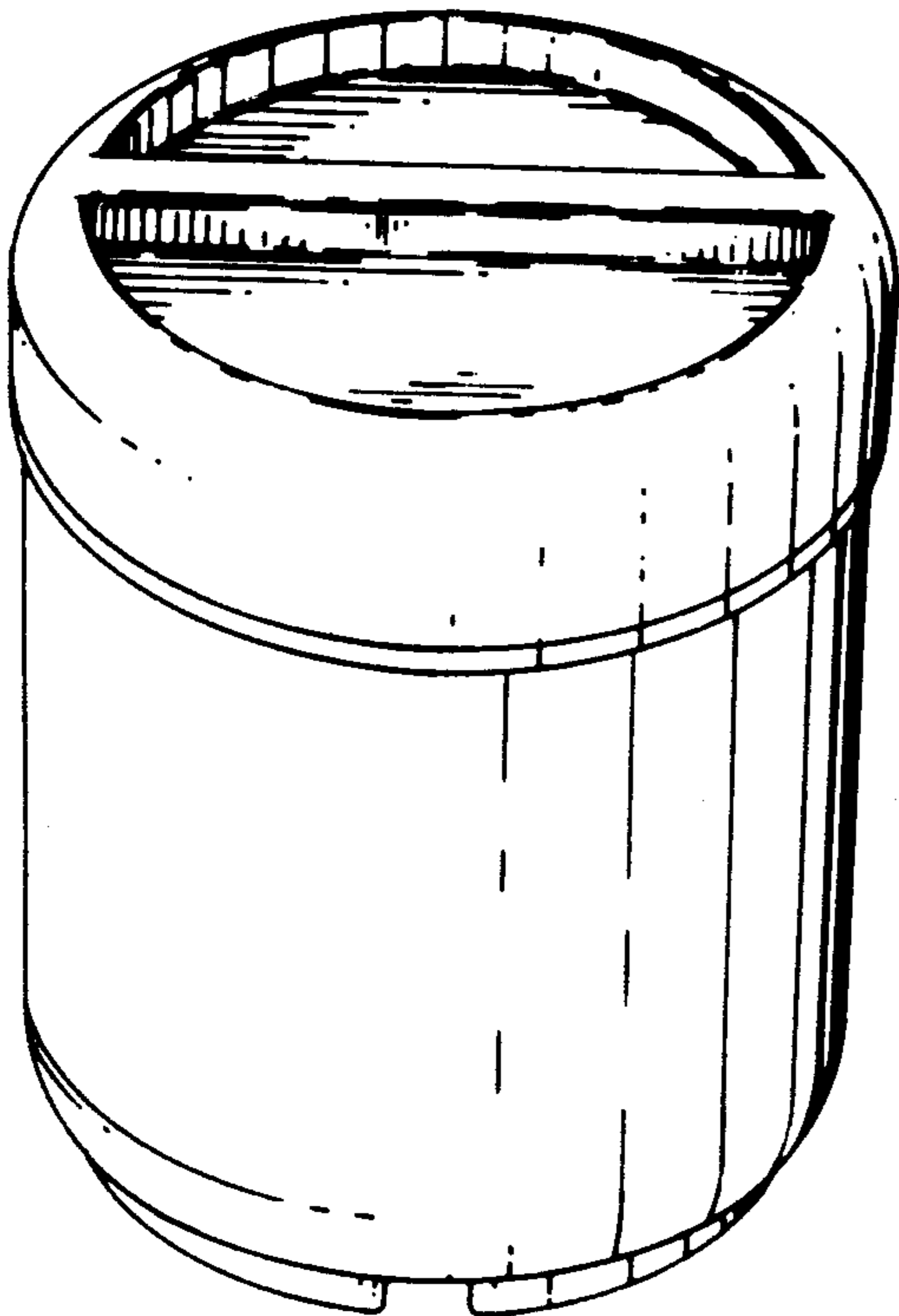
*Primary Examiner—Winifred E. Herrmann
Attorney, Agent, or Firm—Goudreau, Gage & Dubuc*

[57] **CLAIM**

The ornamental design for a canister or the like, as shown and described.

DESCRIPTION

FIG. 1 is a perspective view of a canister or the like showing my new design;
FIG. 2 is a top plan view thereof;
FIG. 3 is a side elevational view thereof;
FIG. 4 is a bottom plan view thereof;
FIG. 5 is a front or rear elevational view thereof;
FIGS. 6, 7 and 8 are perspective views of modifications of the canister of FIG. 1 being proportionally the same except for the height of the cover which is identical to that of FIG. 1.



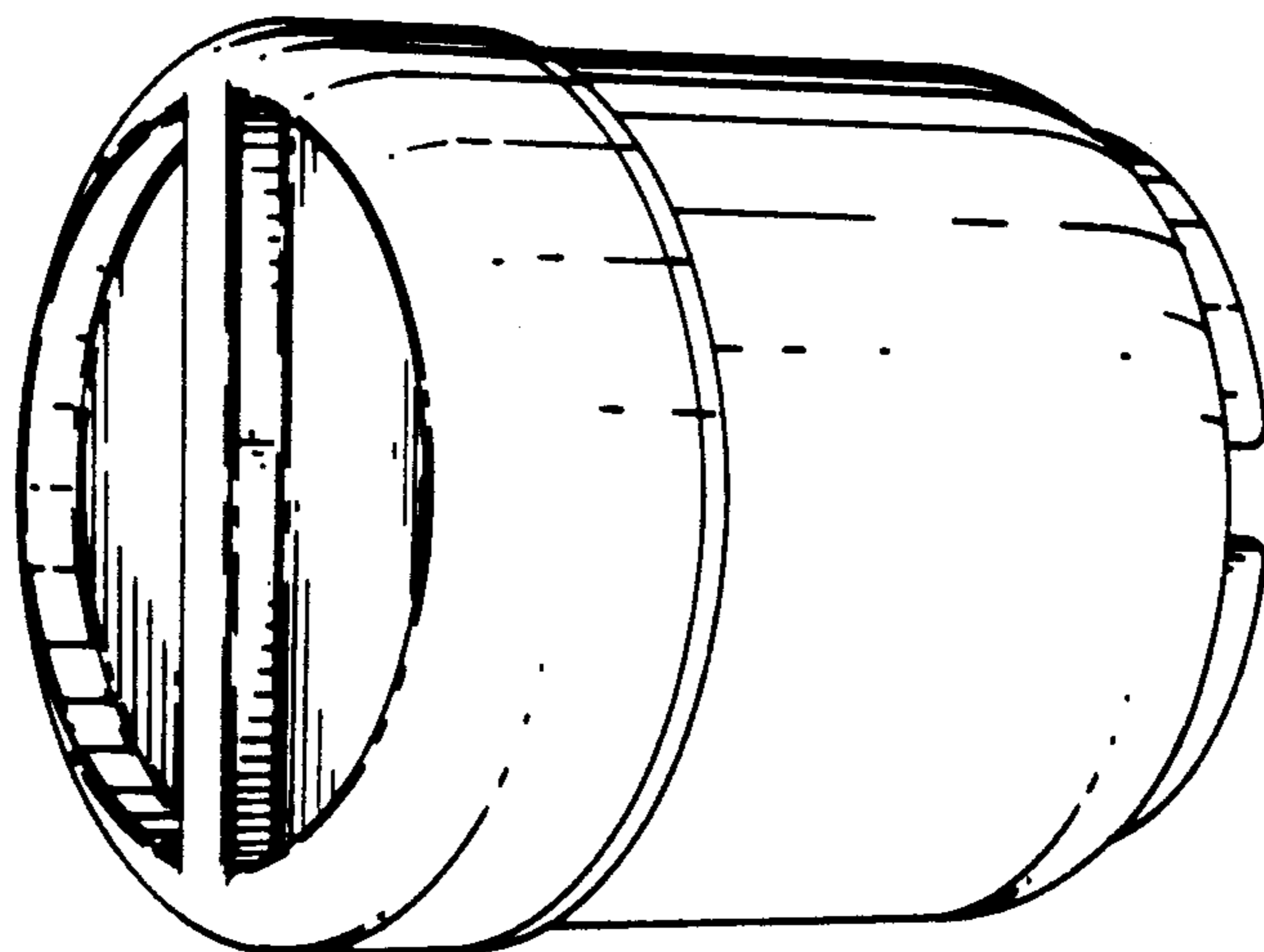


FIG. 6

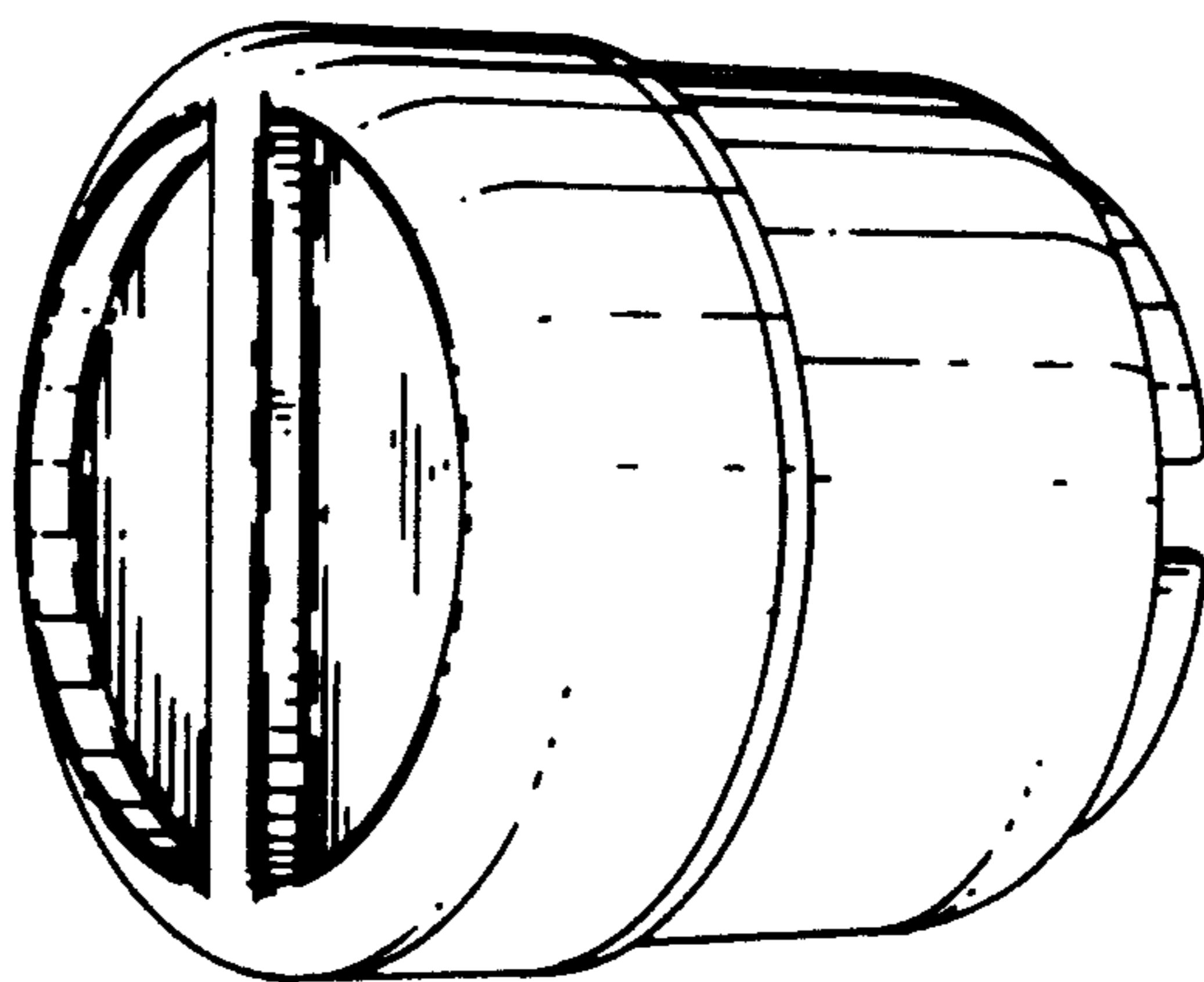


FIG. 1

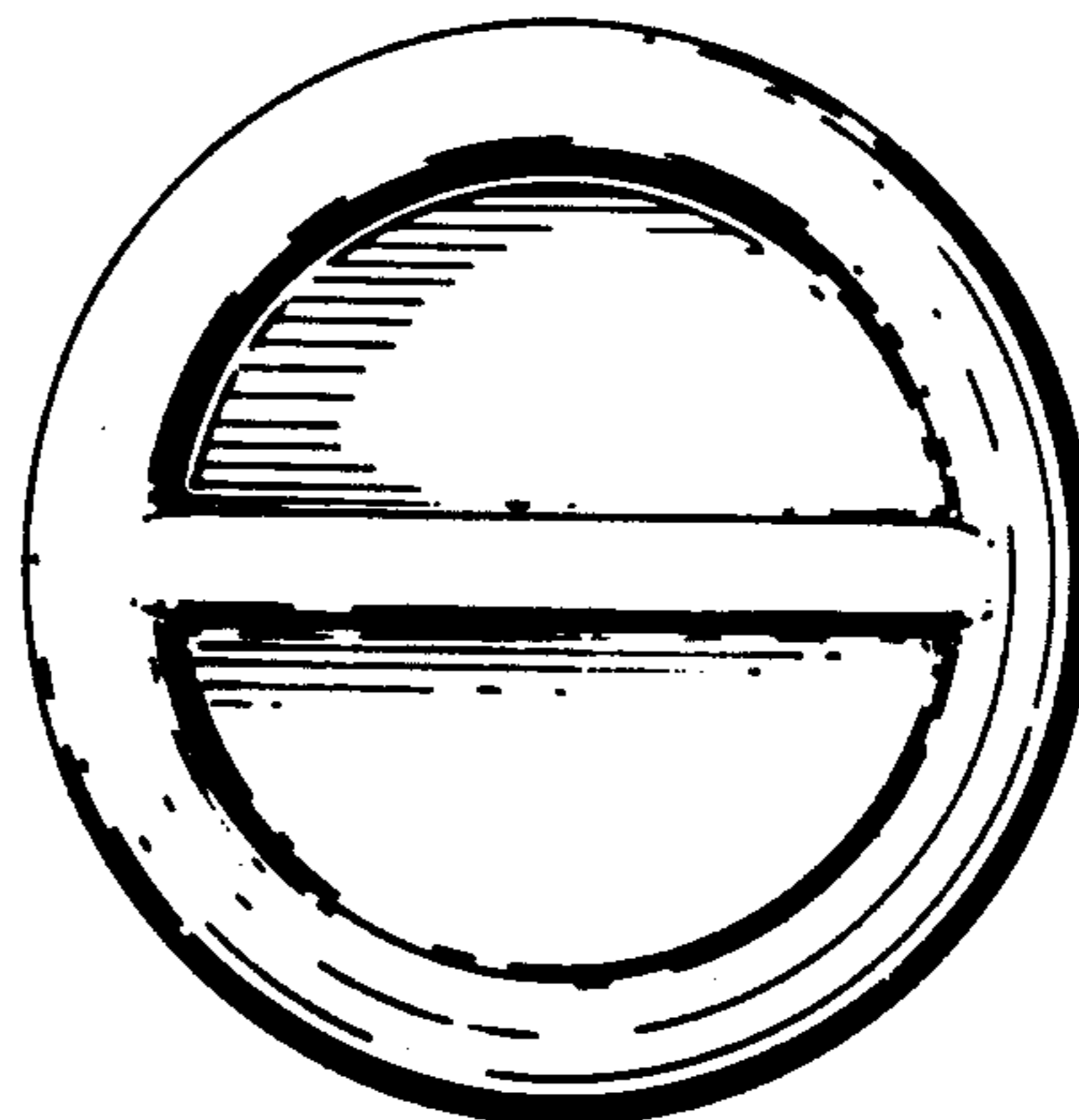


FIG. 2

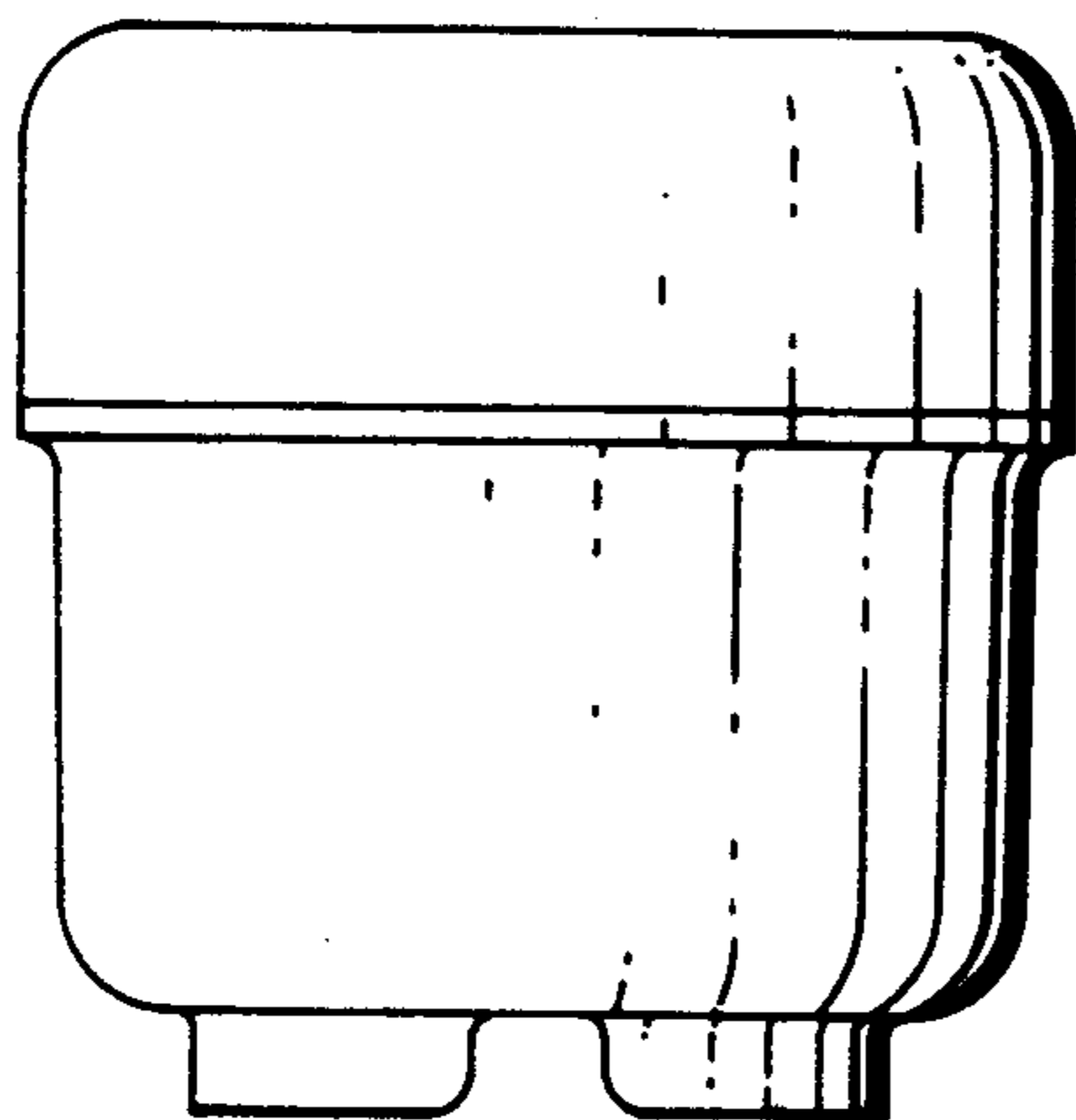


FIG. 5

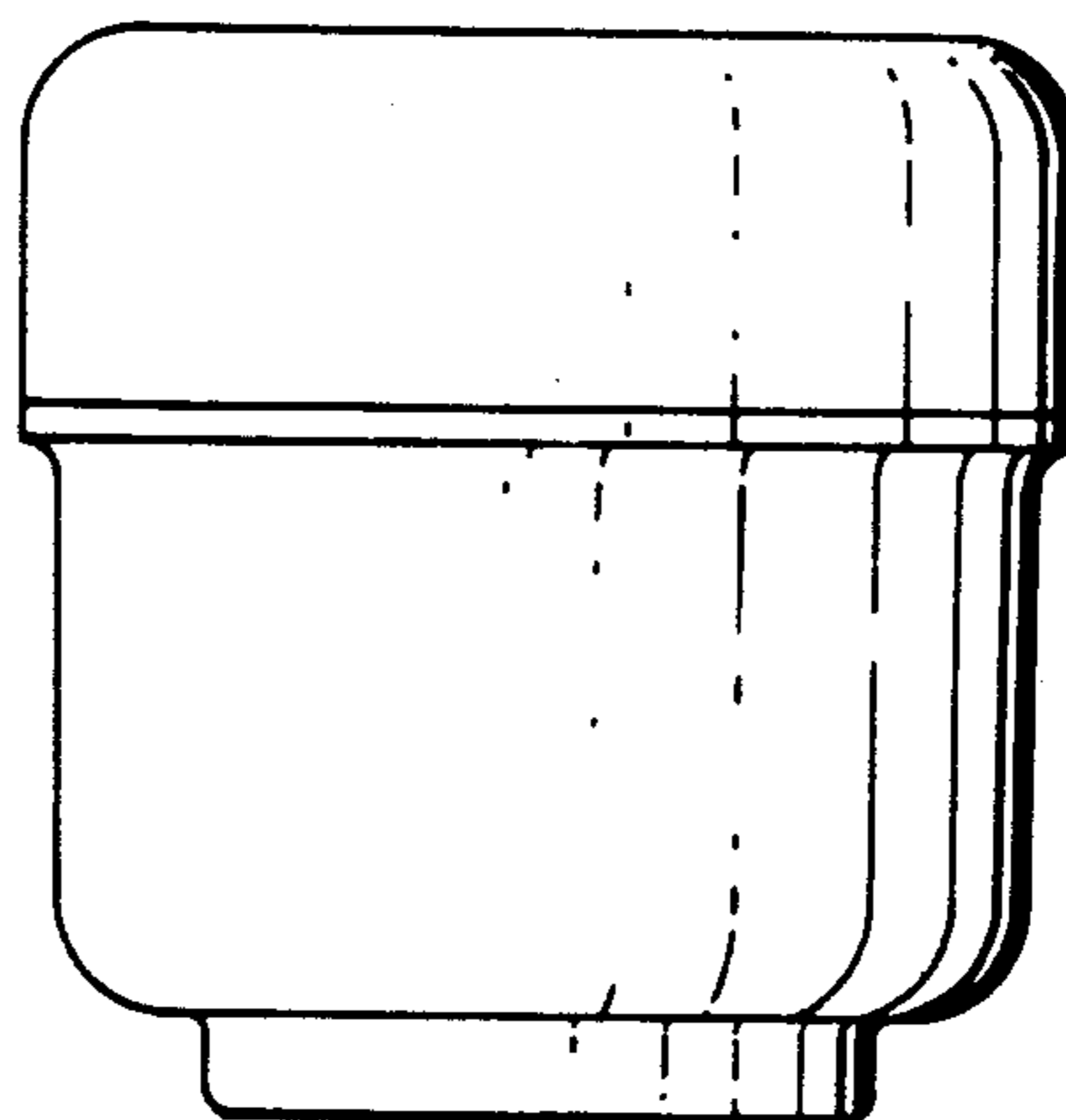


FIG. 3

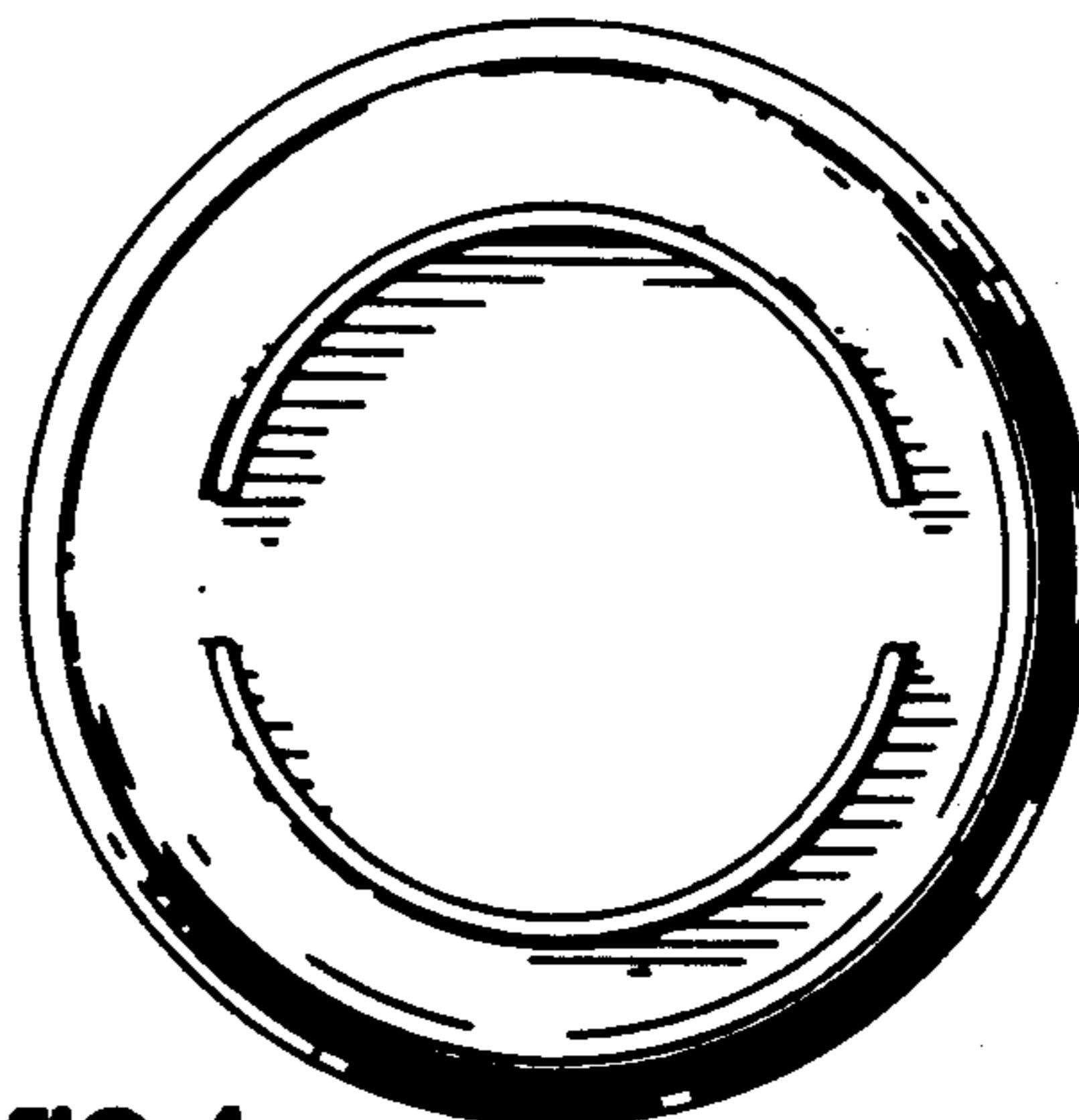


FIG. 4

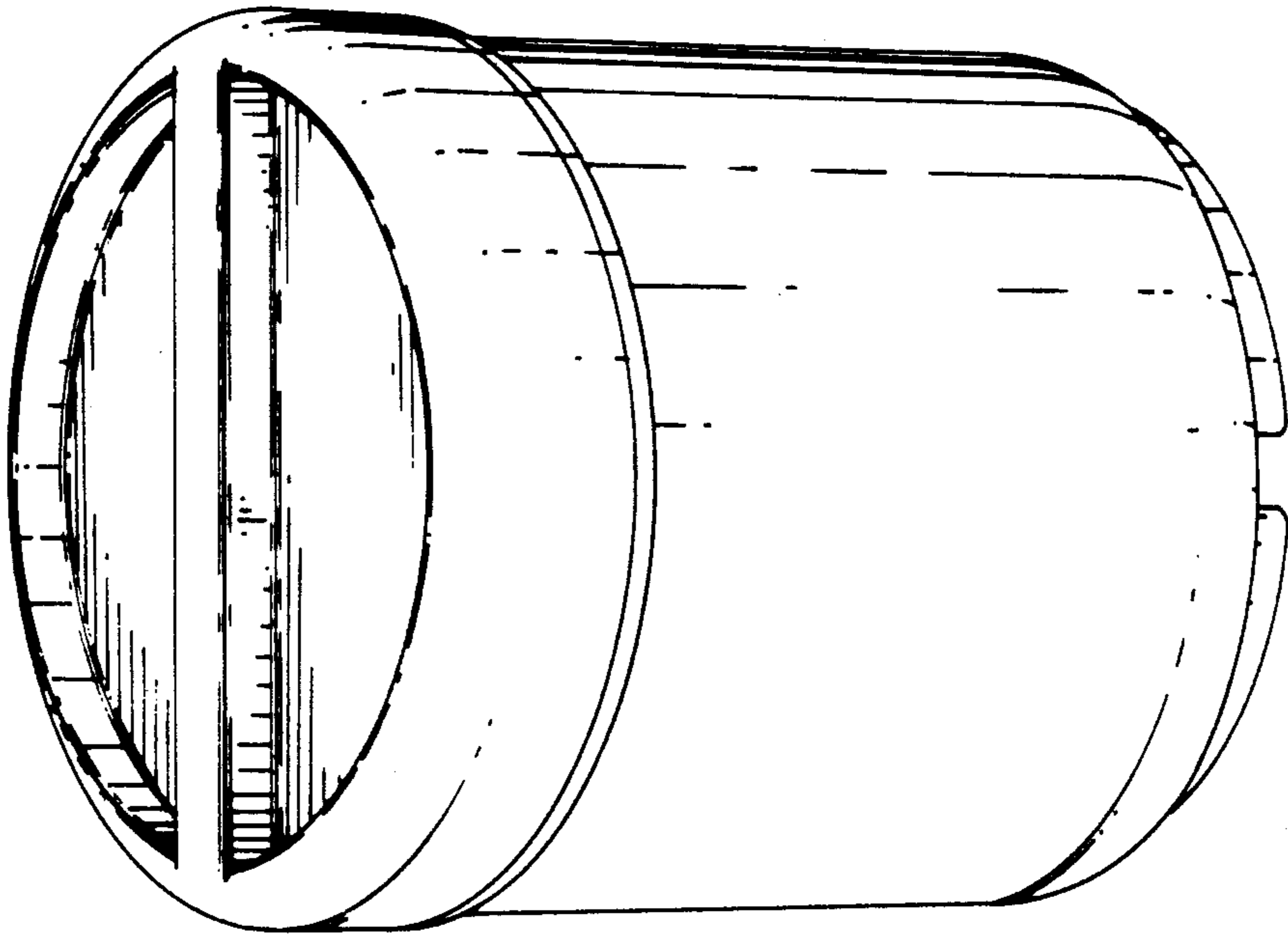


FIG. 8

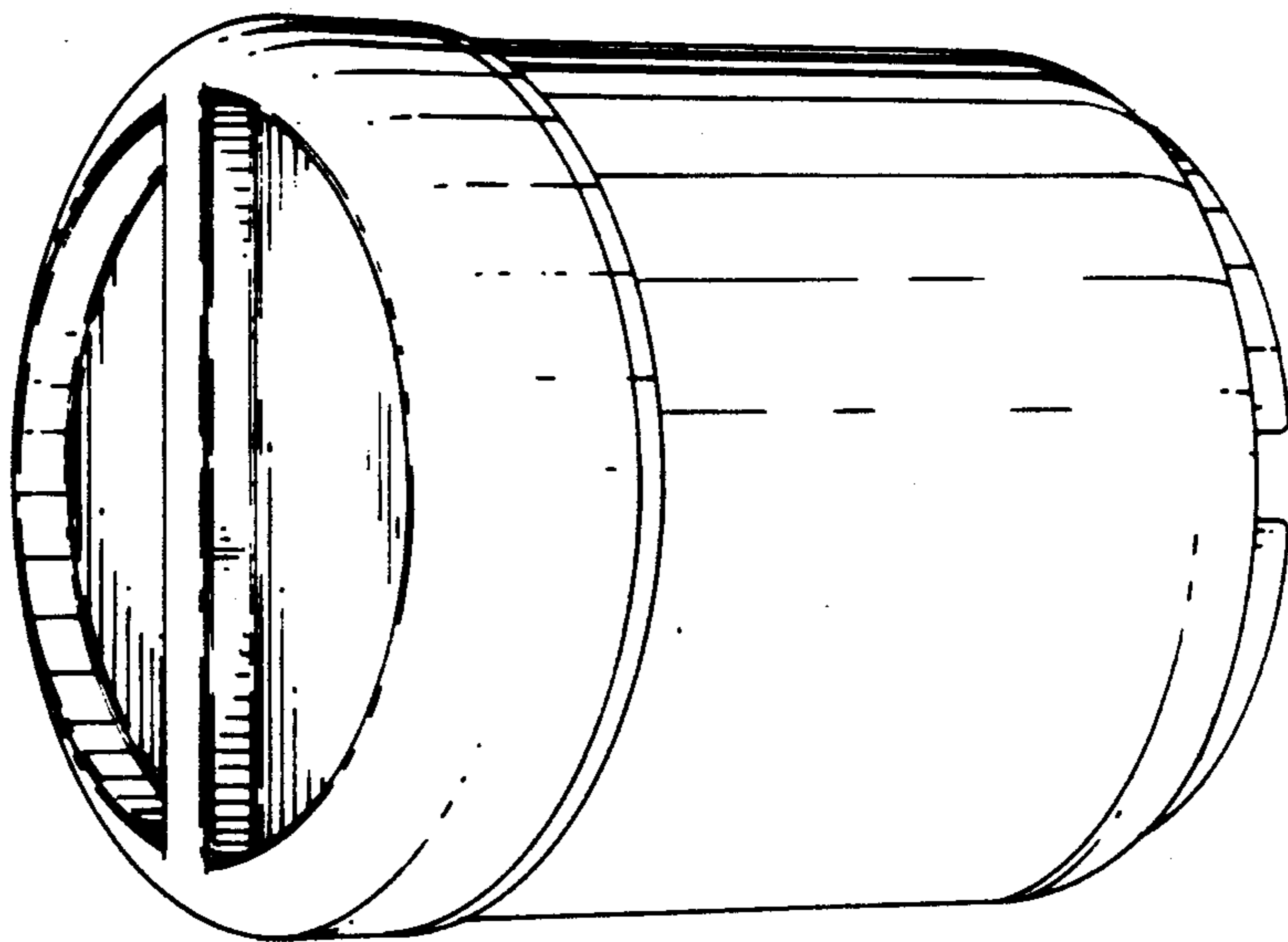


FIG. 7