

[54] ROTARY CUTTING HEAD FOR MOWER

4,104,797 8/1978 Ballas ..... 56/12.7

[76] Inventor: Raymond E. Proulx, 5837 Cameo St., Alta Loma, Calif. 91701

Primary Examiner—James M. Gandy  
Attorney, Agent, or Firm—Boniard I. Brown

[\*\*] Term: 14 Years

[57] CLAIM

[21] Appl. No.: 849,456

The ornamental design for a rotary cutting head for mower, as shown and described.

[22] Filed: Nov. 7, 1977

DESCRIPTION

[51] Int. Cl. .... D8-03

FIG. 1 is a perspective view of a rotary cutting head for mower showing my new design;

[52] U.S. Cl. .... D8/8

FIG. 2 is a top plan view thereof;

[58] Field of Search ..... D15/17; D8/8; 56/12.7, 56/295; 30/276, 347

FIG. 3 is an end elevational view thereof opposite to that shown in FIG. 1;

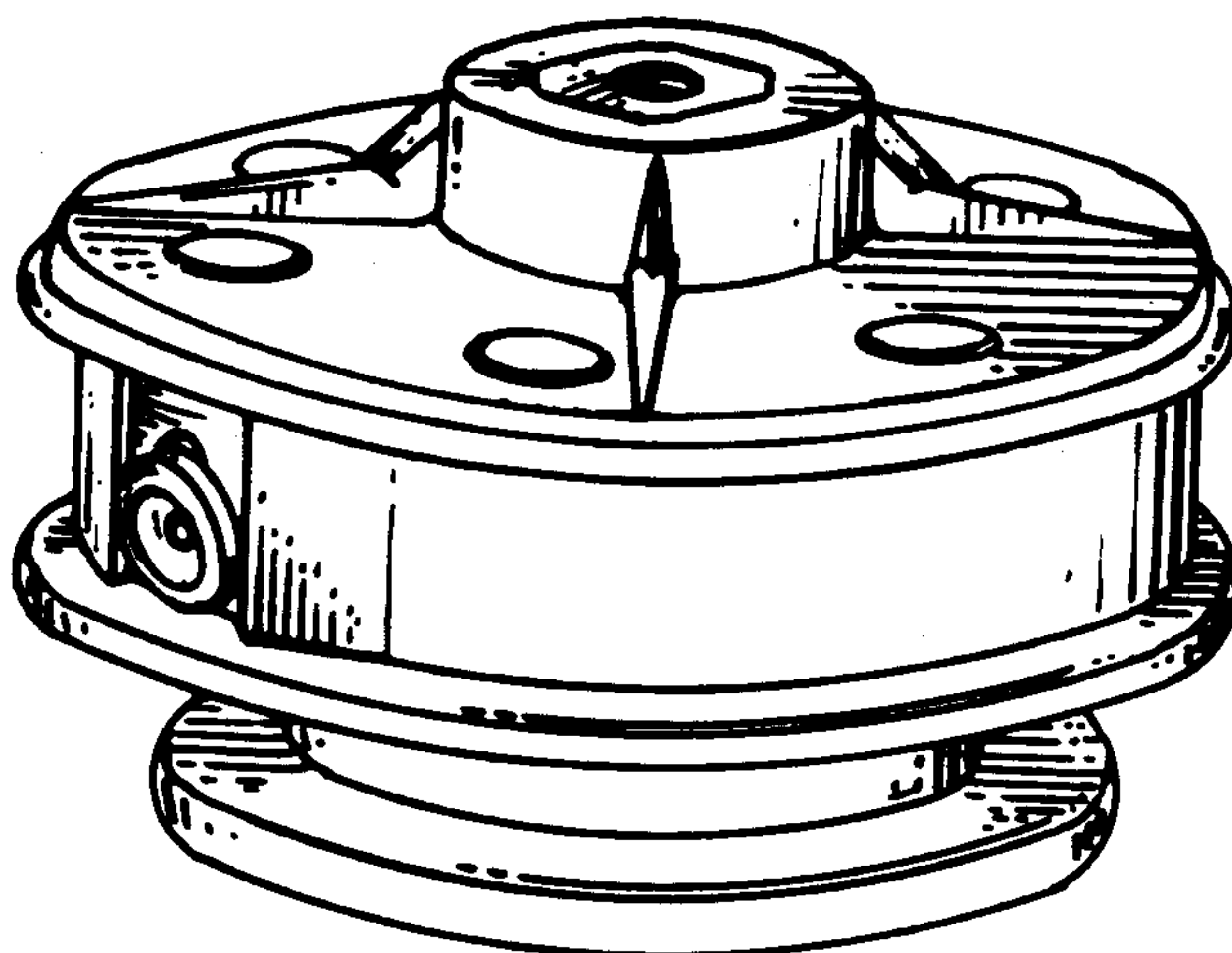
[56] References Cited

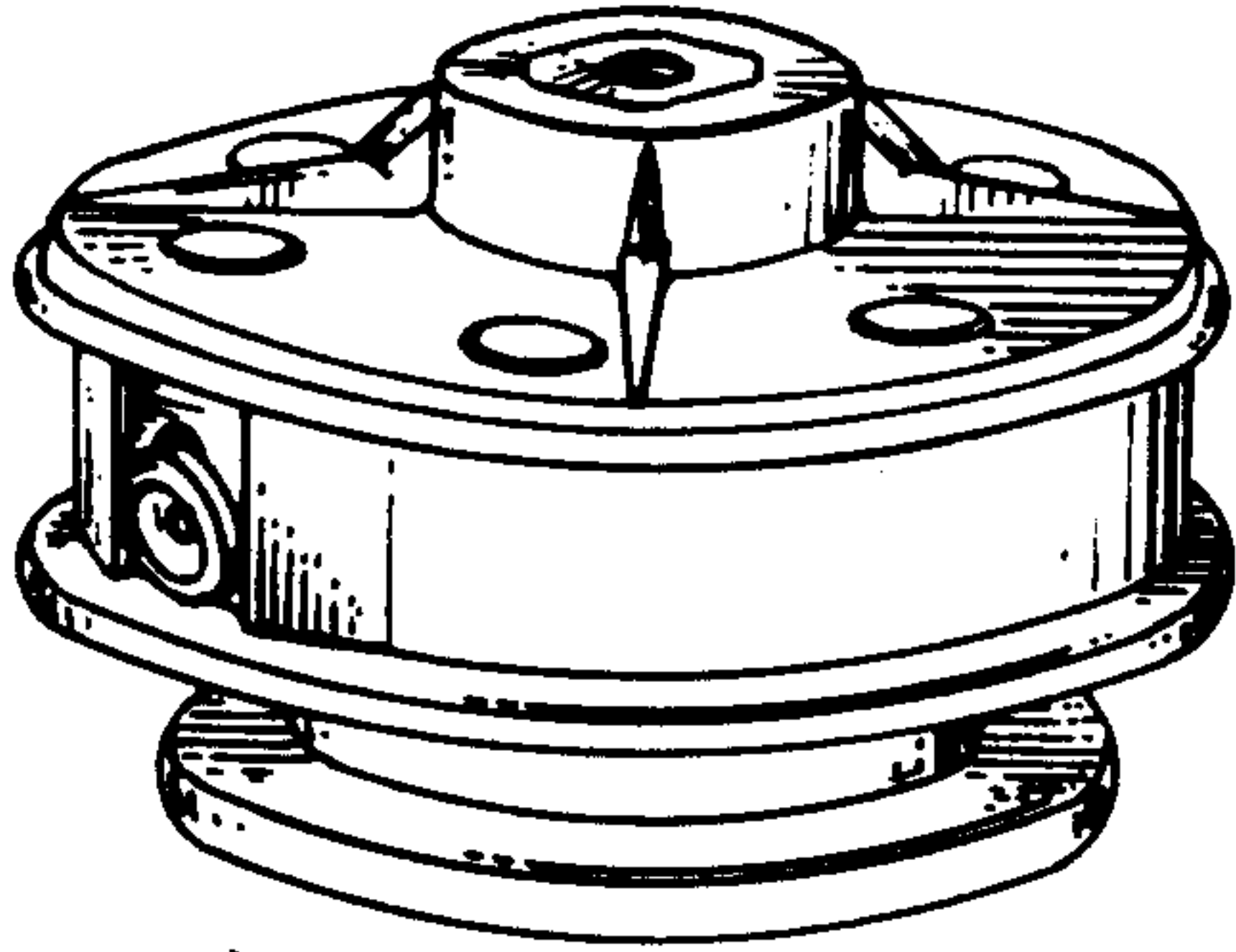
FIG. 4 is a side elevational view thereof, the opposite side being substantially a mirror image of the side shown; and

U.S. PATENT DOCUMENTS

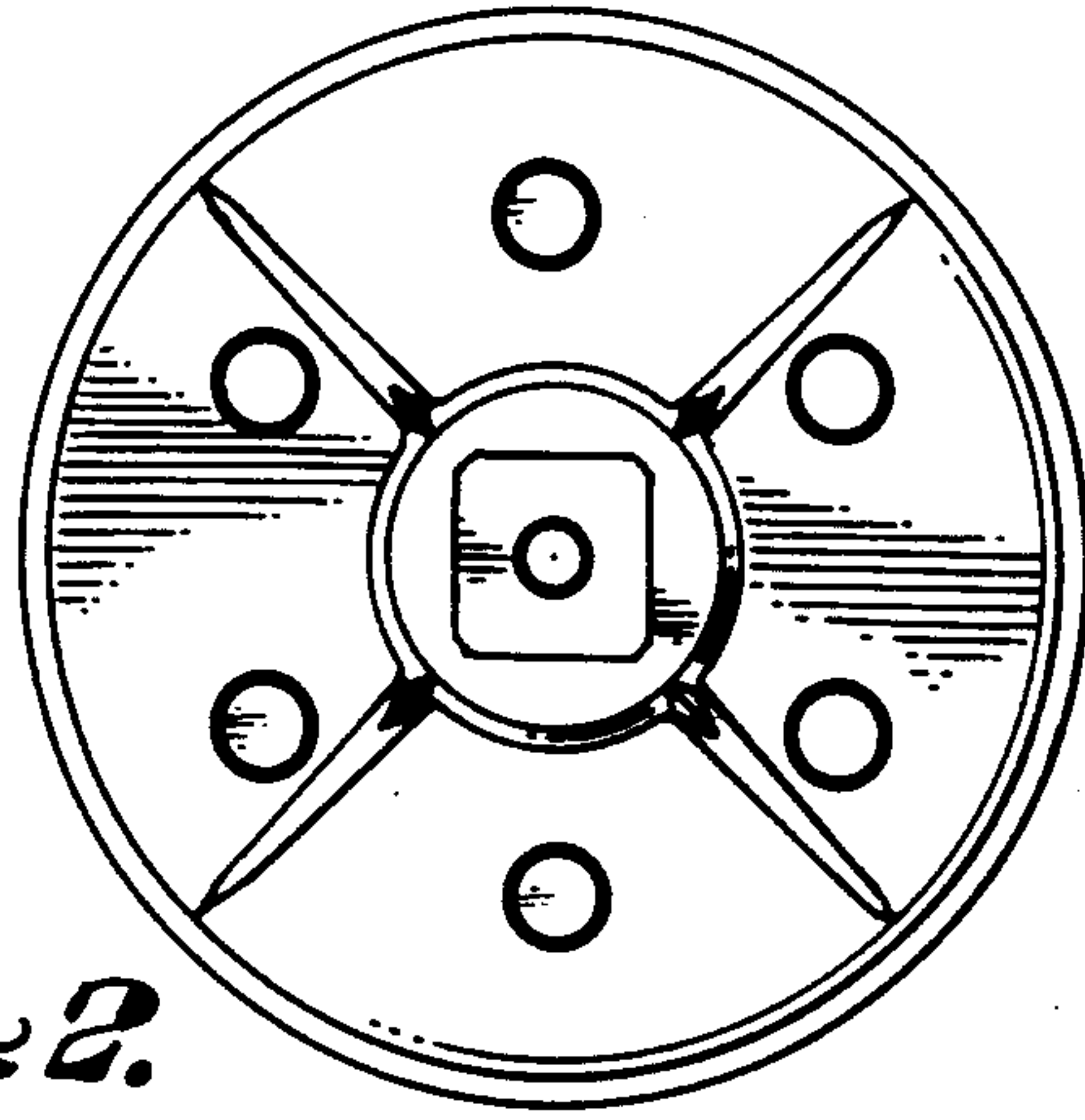
FIG. 5 is a bottom plan view thereof.

4,097,991 7/1978 Proulx ..... 30/276

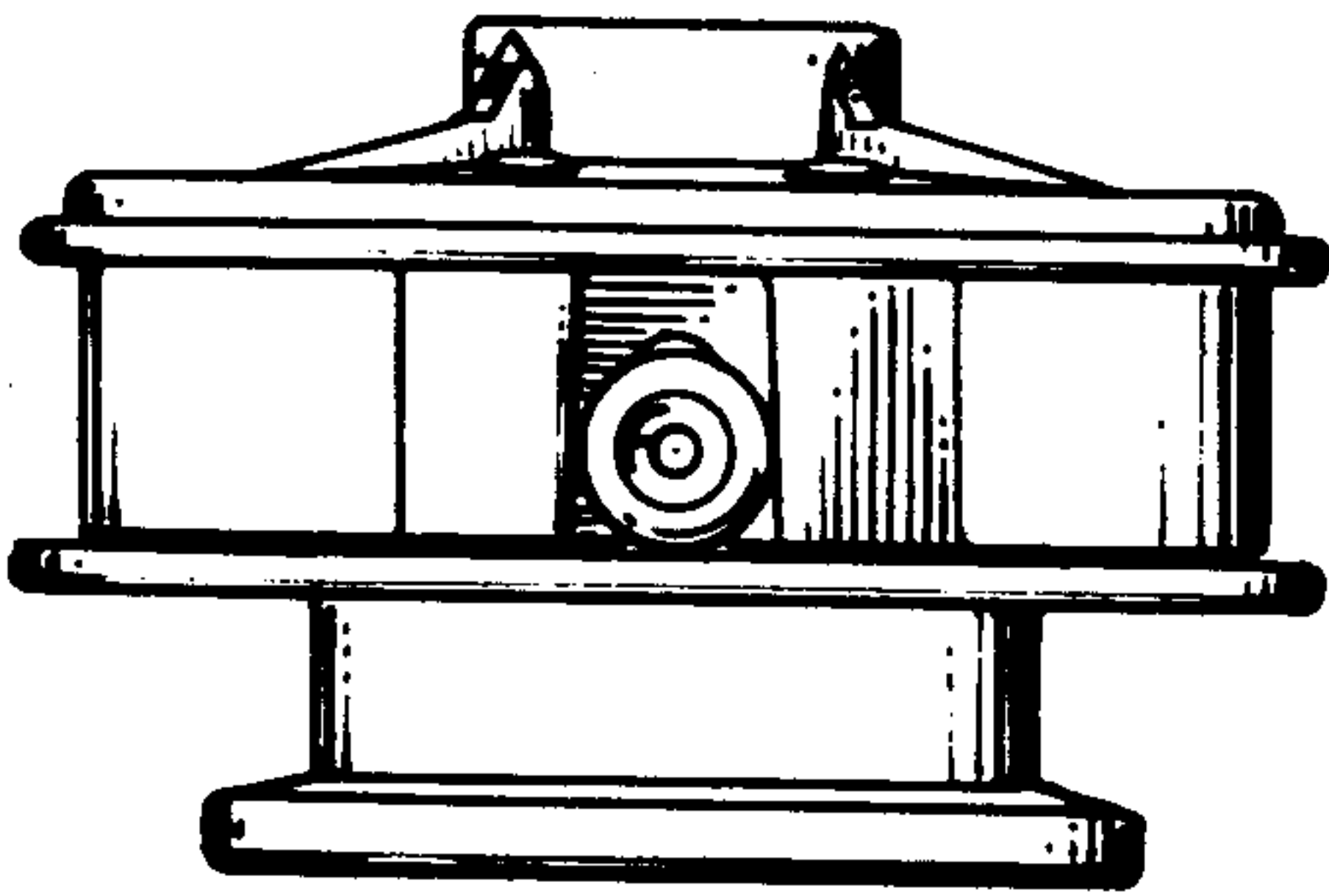




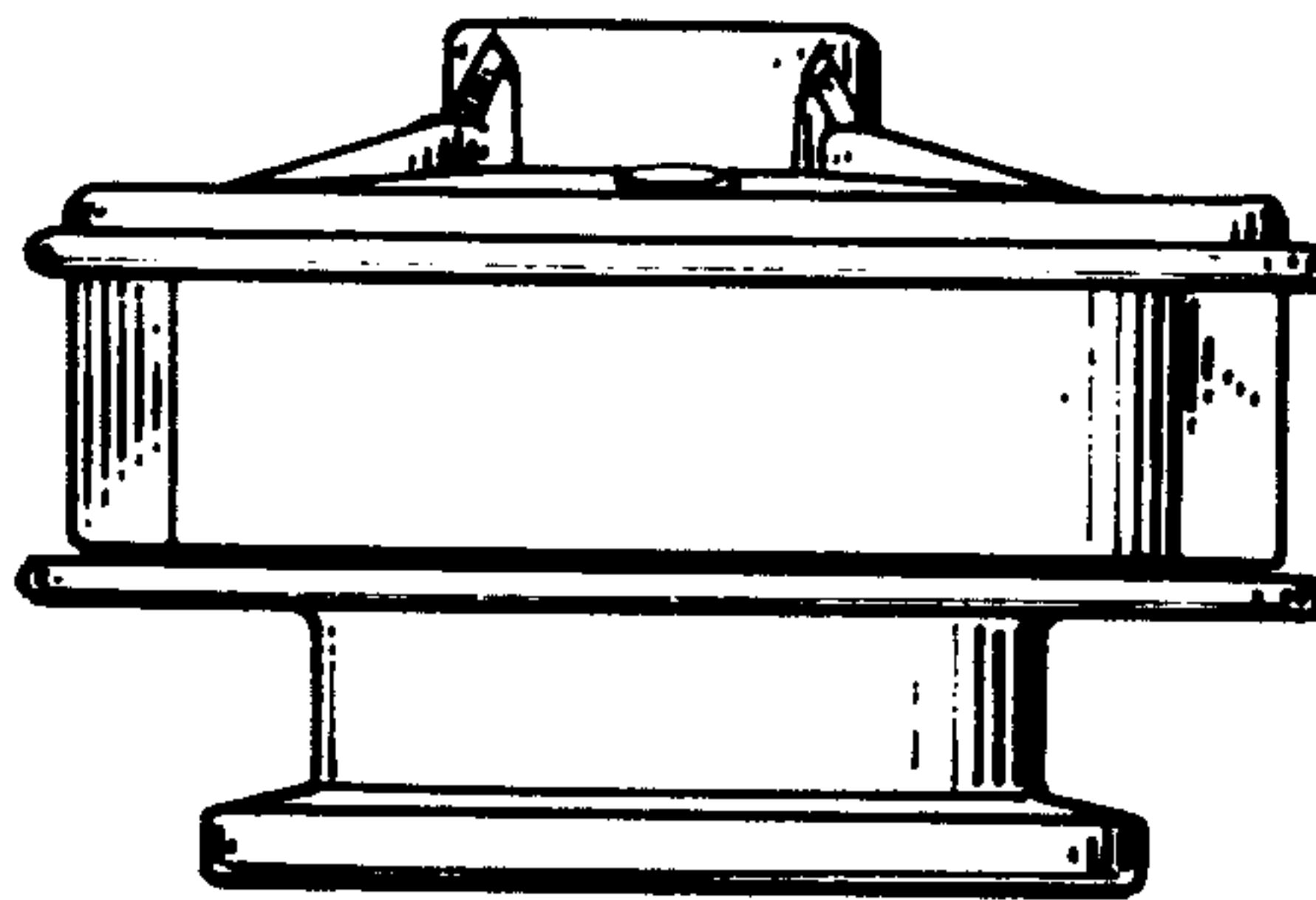
*Fig. 1.*



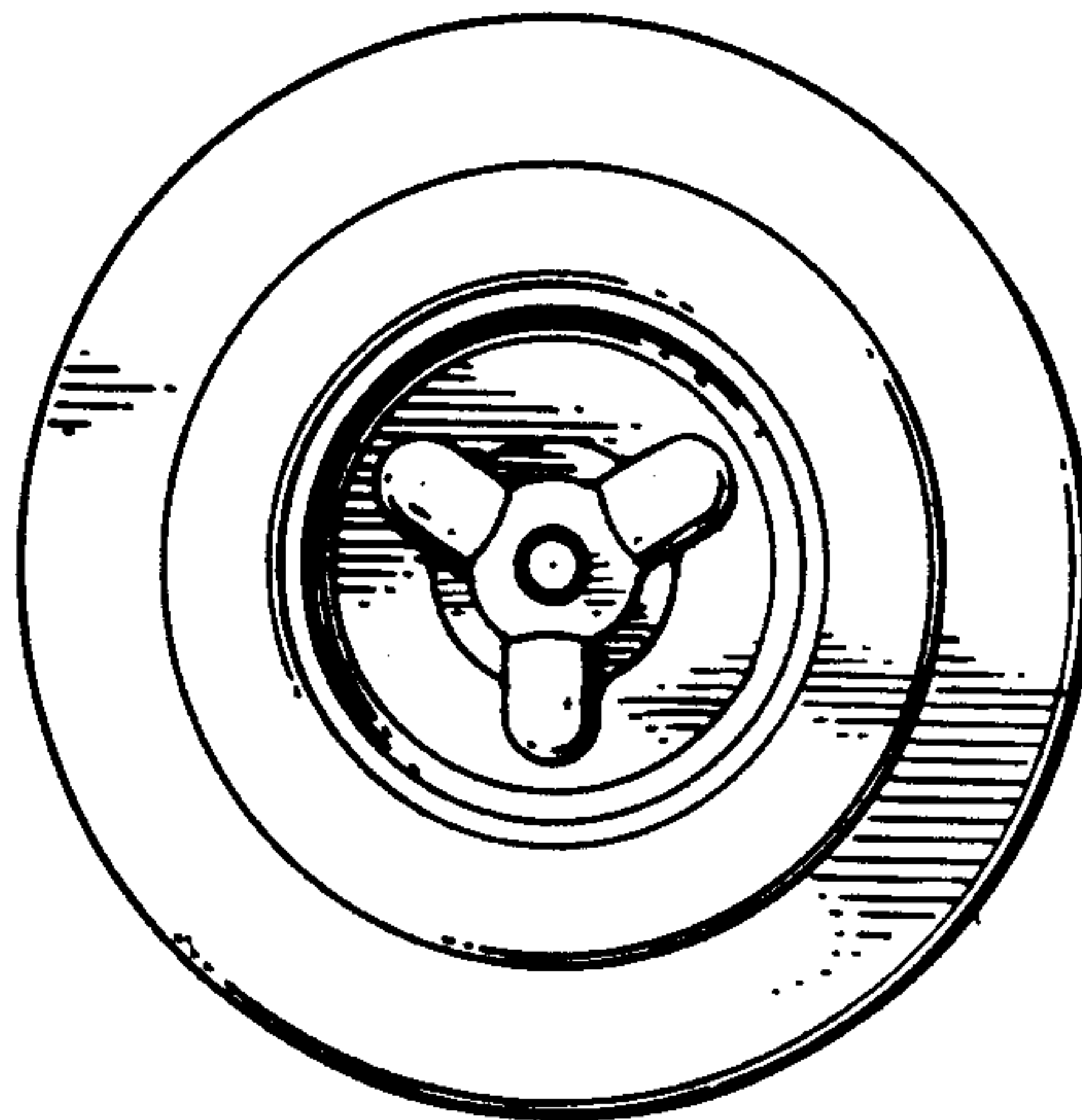
*Fig. 2.*



*Fig. 3.*



*Fig. 4.*



*Fig. 5.*