

[54] PORTABLE STOVE

[76] Inventor: Allen G. Woodward, Rte. 3,  
Princeton, Minn. 55371

[\*\*] Term: 14 Years

[21] Appl. No.: 817,002

[22] Filed: Jul. 18, 1977

[51] Int. Cl. .... D7-02

[52] U.S. Cl. .... D7/110

[58] Field of Search ..... D7/107, 108, 109, 110;  
126/25 R, 25 A, 25 AA, 25 B, 25 C, 29, 30, 9 R,  
9 A, 9 B, 4, 37 R, 37 A, 37 B, 44, 43

[56] References Cited

U.S. PATENT DOCUMENTS

D. 220,150	3/1971	Roostenburg	.....	D7/107
859,030	7/1907	Walker et al.	.....	126/25 R
2,221,098	11/1940	Langsam	.....	126/25

Primary Examiner—Wallace R. Burke

Assistant Examiner—Catherine Kemper  
Attorney, Agent, or Firm—James R. Cwayna

[57] CLAIM

The ornamental design for a portable stove, as shown and described.

DESCRIPTION

FIG. 1 is a perspective view of a portable stove, showing my new design, shown as it appears when being transported;

FIG. 2 is a perspective view thereof shown as the device appears when in use;

FIG. 3 is a first side elevational view thereof;

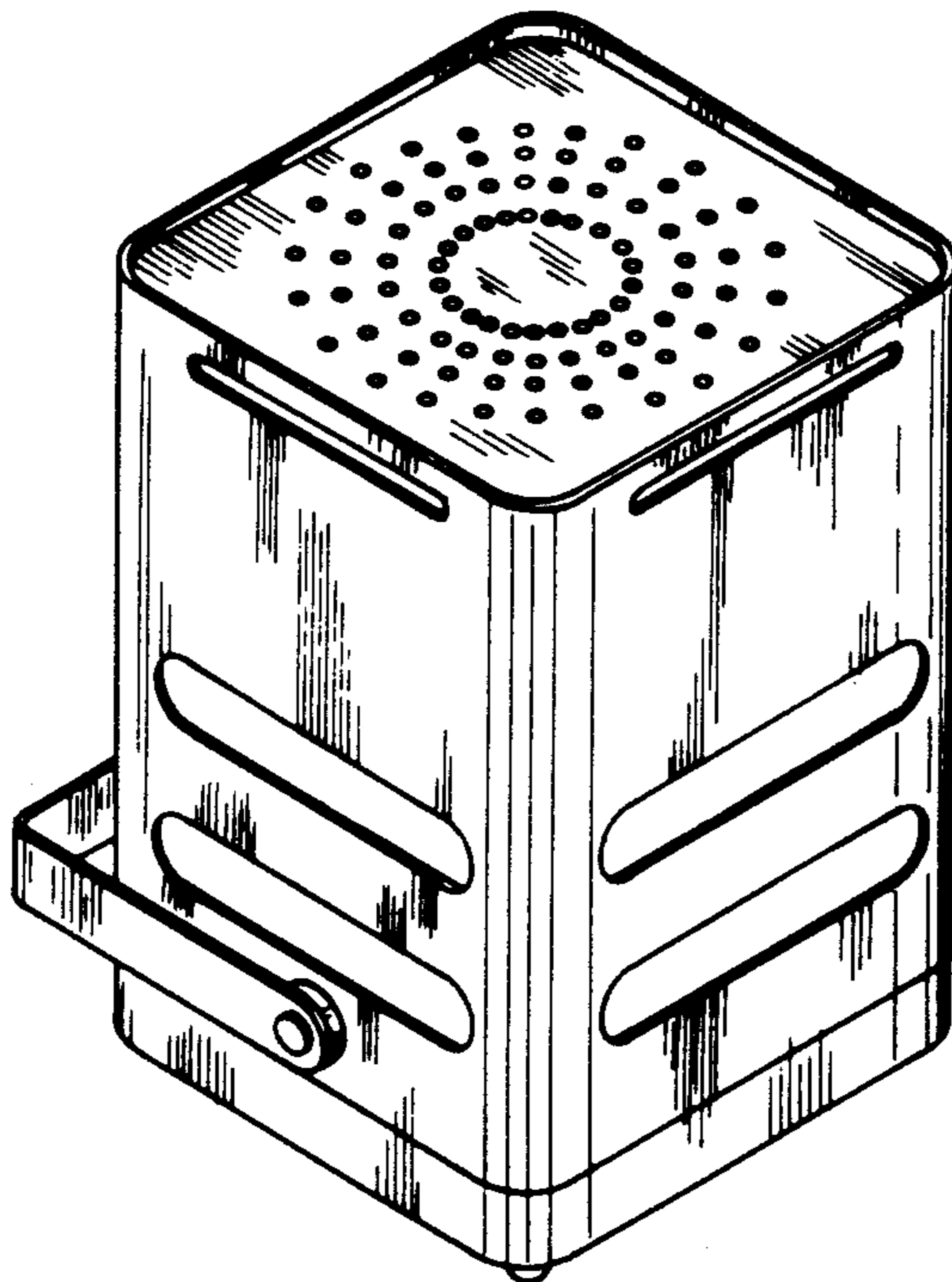
FIG. 4 is a second side elevational view thereof;

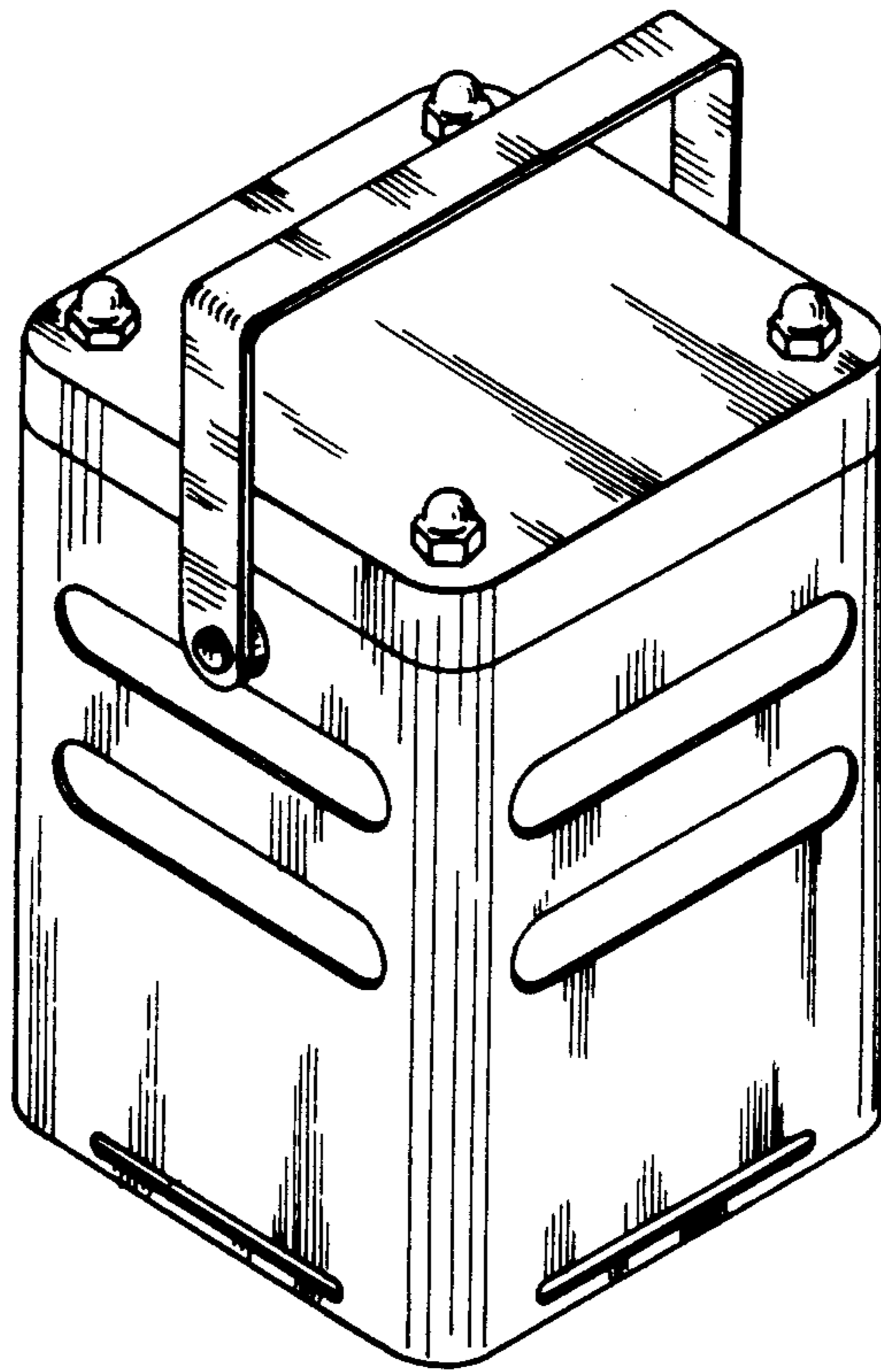
FIG. 5 is an elevational view of the side opposite that shown in FIG. 3;

FIG. 6 is an elevational view of the side opposite that shown in FIG. 4;

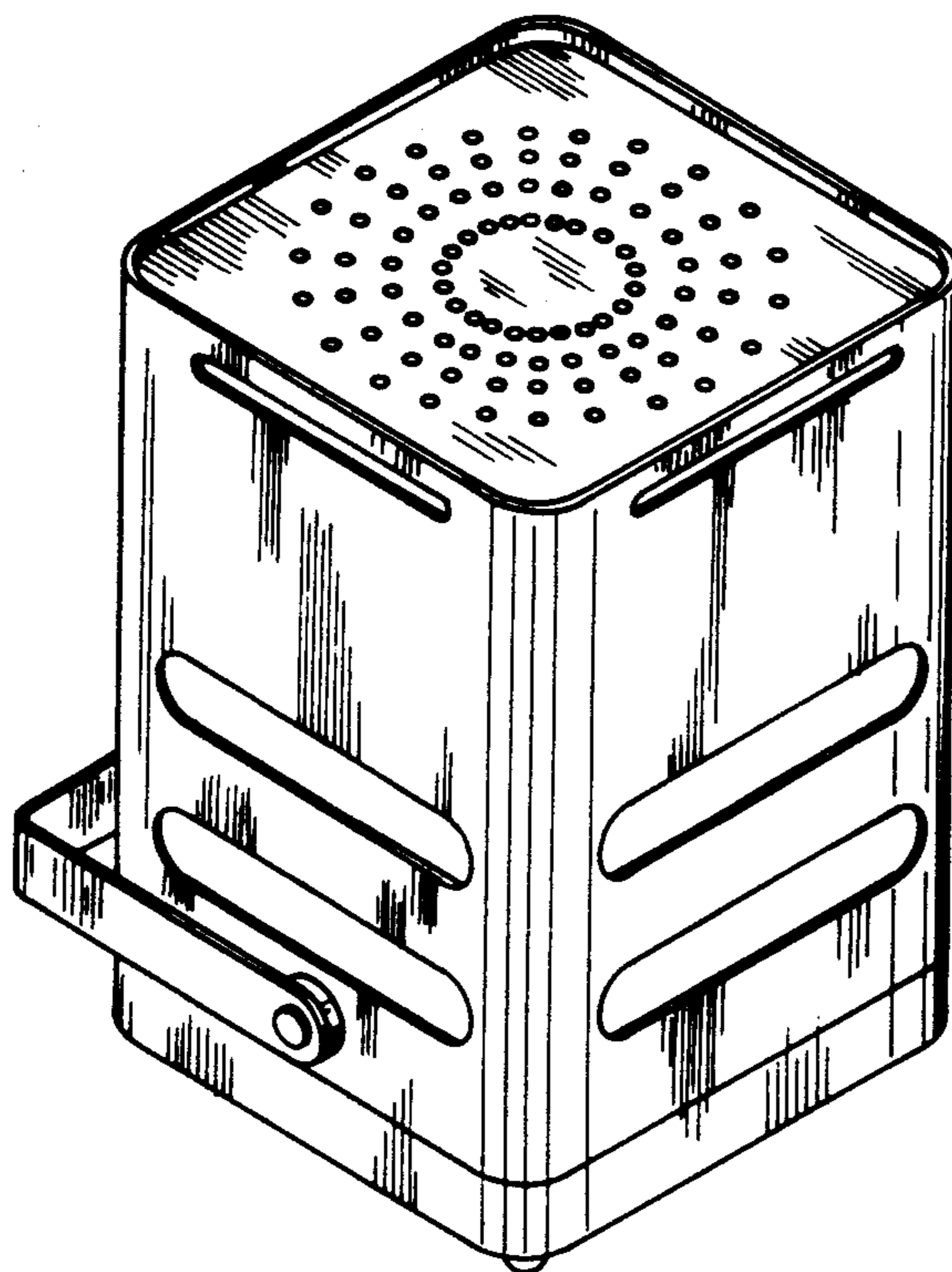
FIG. 7 is a top plan view of the device as shown in FIG. 2; and,

FIG. 8 is a bottom plan view thereof.

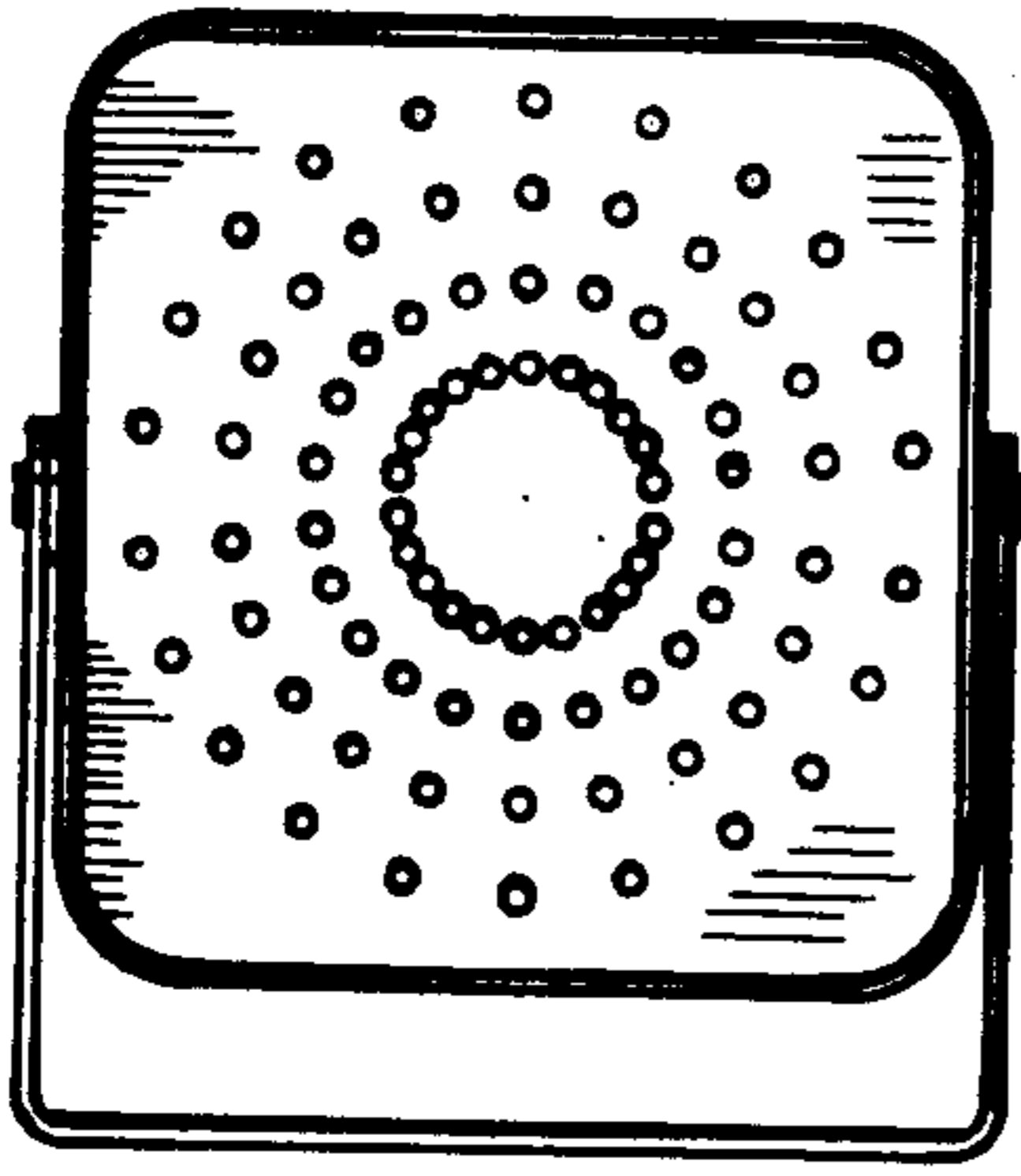




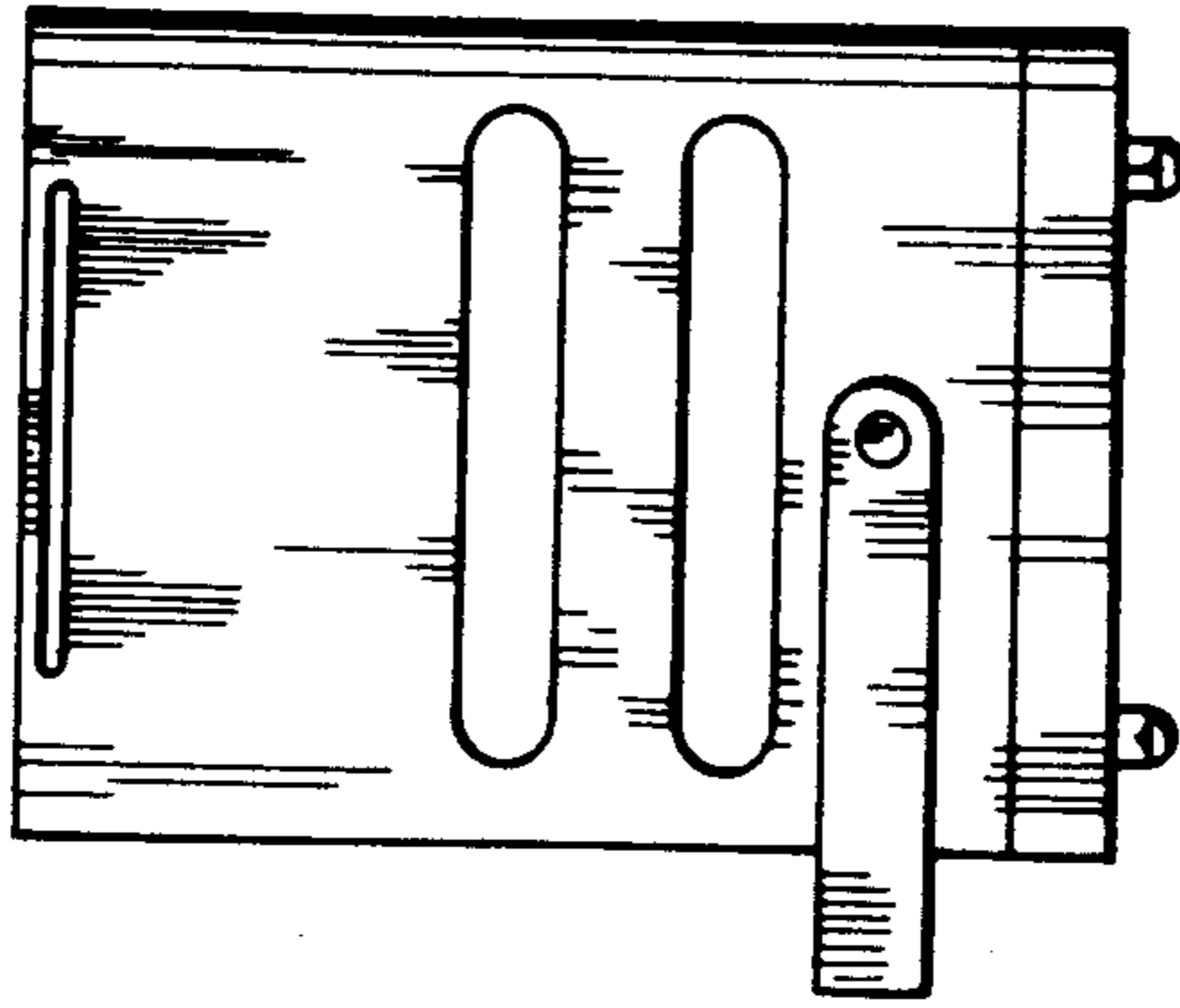
*FIG. 1*



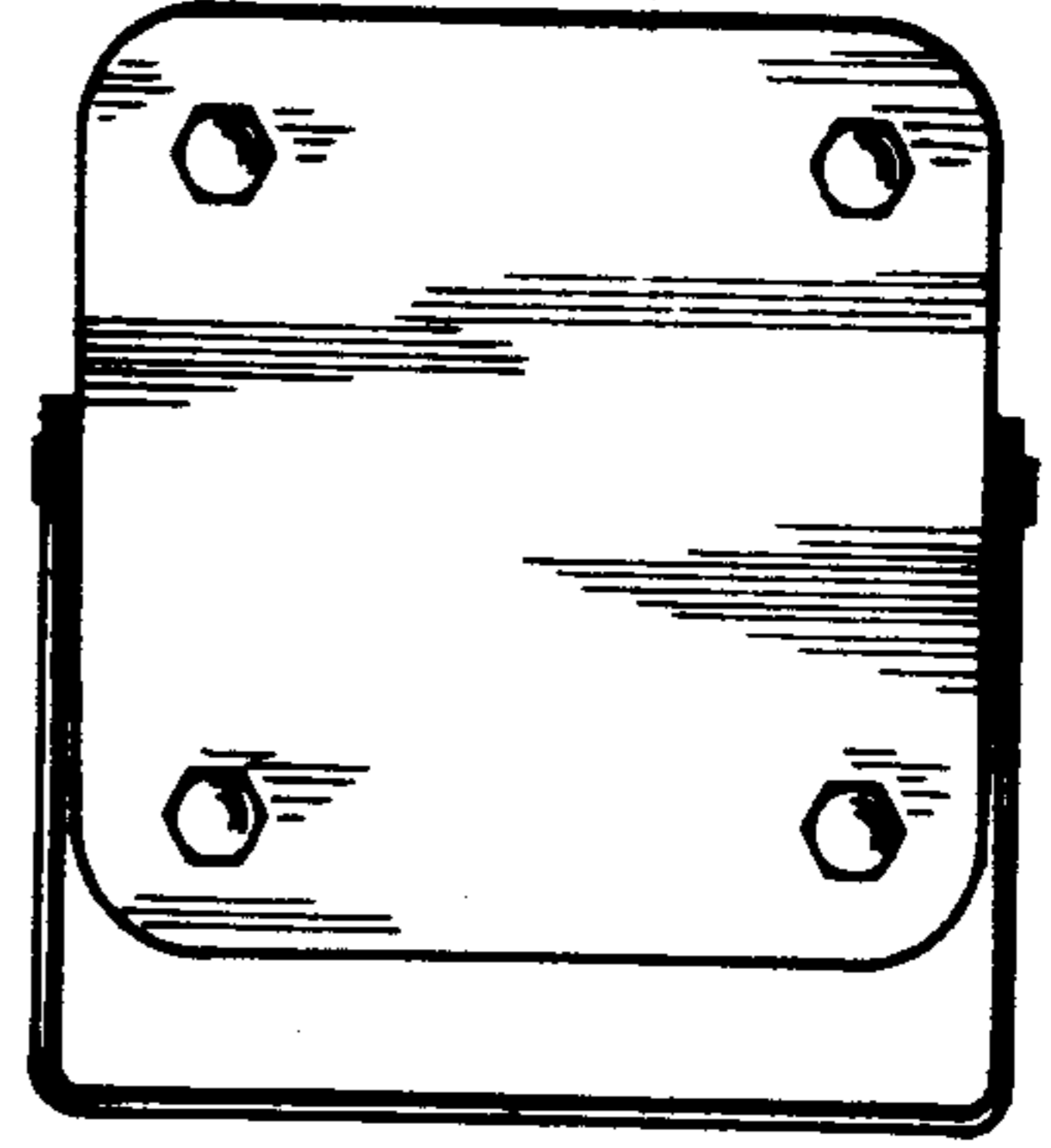
*FIG. 2*



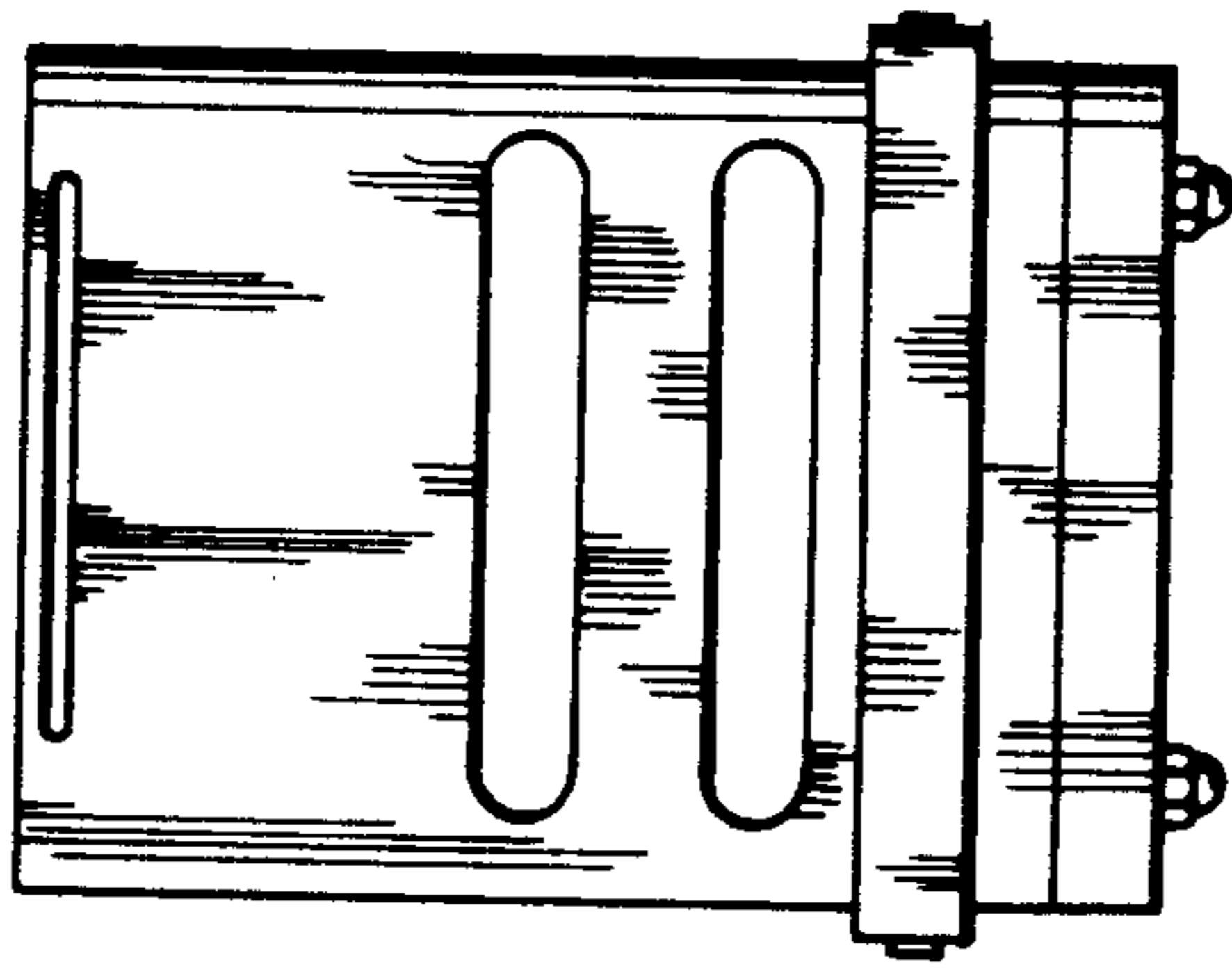
**FIG. 7**



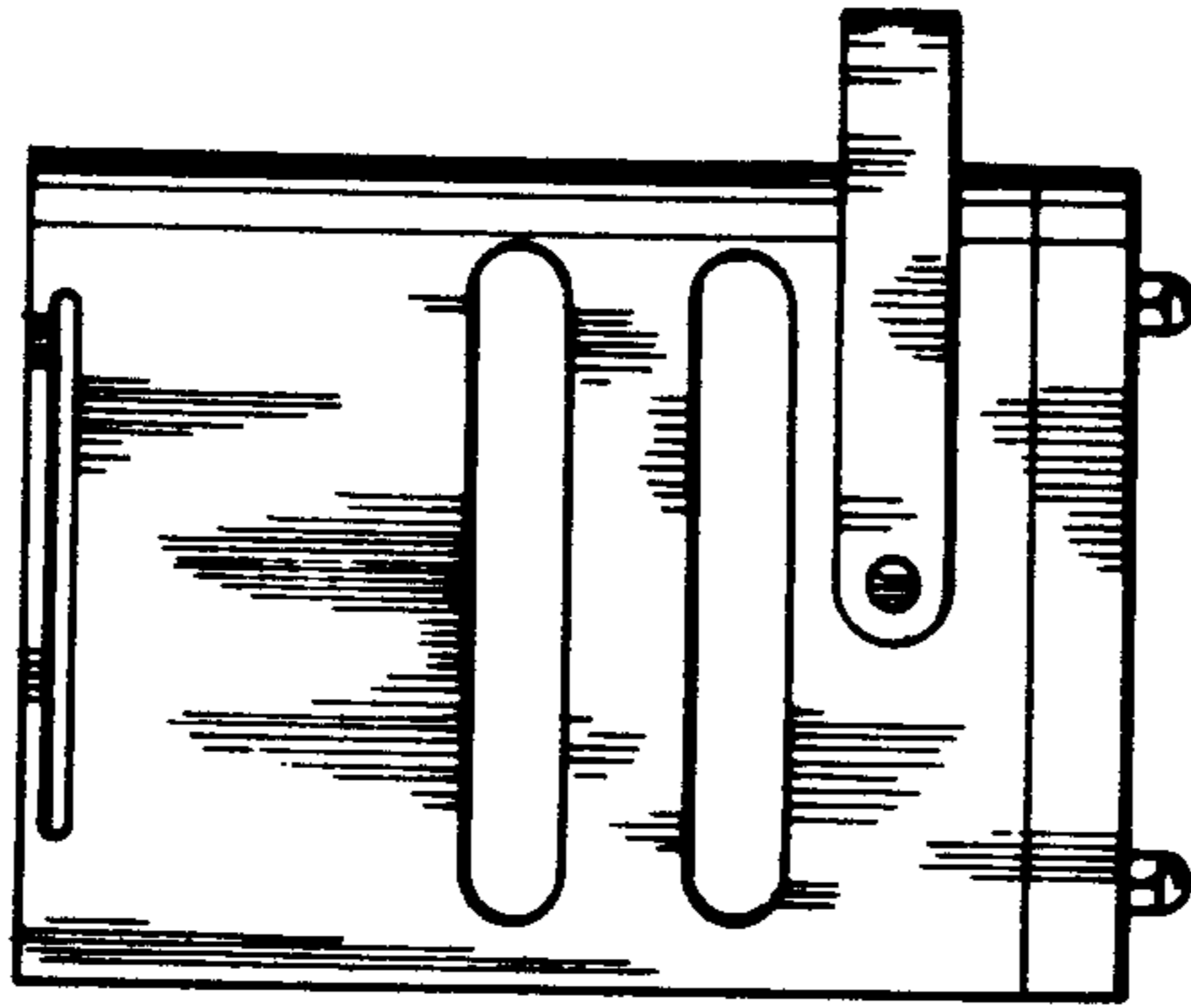
**FIG. 6**



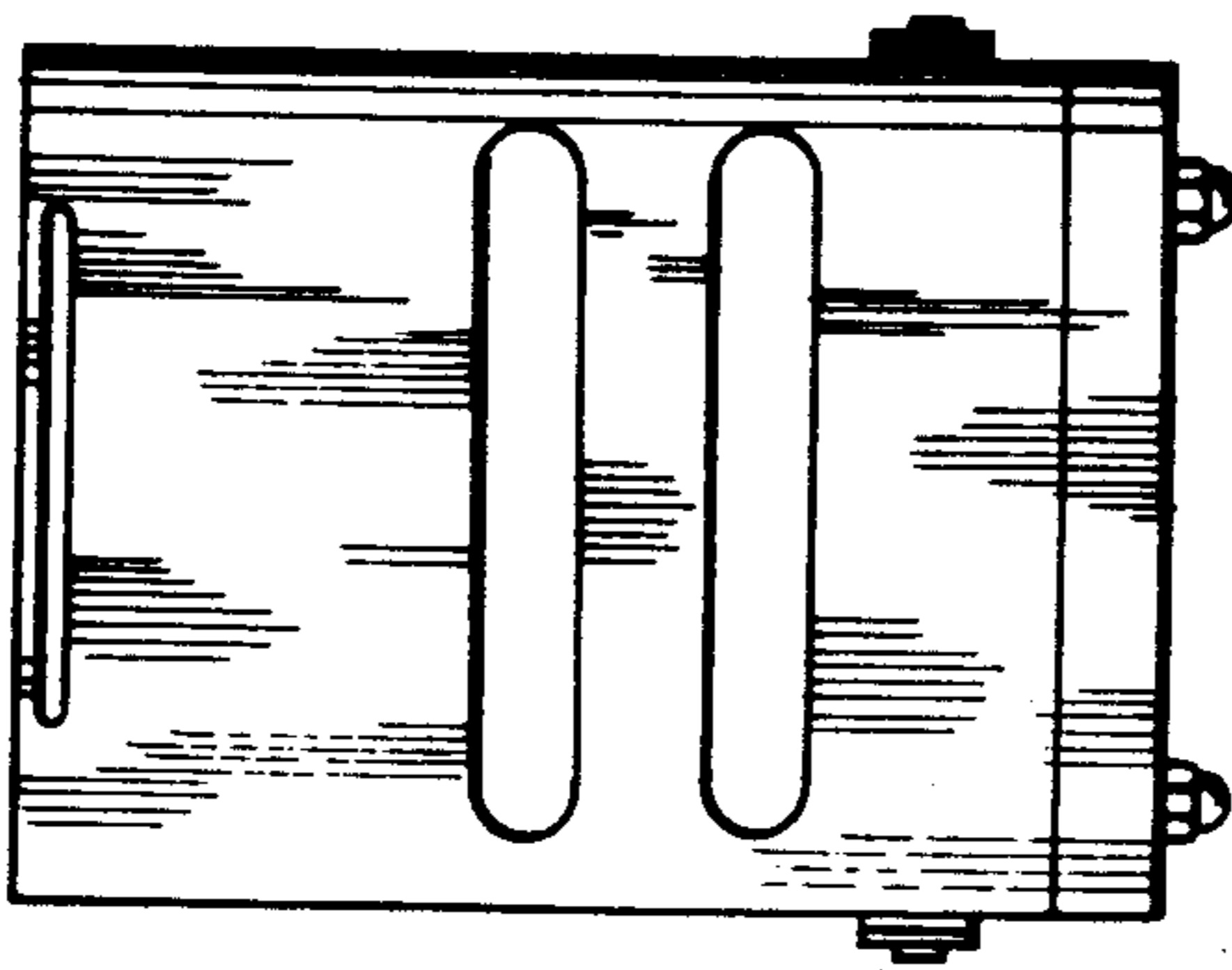
**FIG. 8**



**FIG. 5**



**FIG. 4**



**FIG. 3**