

[54] TABLE

[76] Inventor: **Sidney Gibson**, 229 Deloraine Ave., Toronto, Ontario, Canada, M5M 2B2

[\*\*] Term: **14 Years**

[21] Appl. No.: **808,254**

[22] Filed: **Jun. 20, 1977**

[51] Int. Cl. .... **D6-03**

[52] U.S. Cl. .... **D6/175**

[58] Field of Search ..... **D6/27, 146, 175, 177, D6/179**

[56] **References Cited**

**U.S. PATENT DOCUMENTS**

- D. 178,839 9/1956 **Jacoby** ..... D6/179
- D. 182,911 5/1958 **Lubberts et al.** ..... D6/179

- D. 244,113 4/1977 **Friedman** ..... D6/175
- D. 244,417 5/1977 **Pratt** ..... D6/175
- 3,910,206 10/1977 **Jay** ..... D6/175 X

**OTHER PUBLICATIONS**

"Selig Import Tables", p. L305, Nesting Tables.

*Primary Examiner*—Bruce W. Dunkins

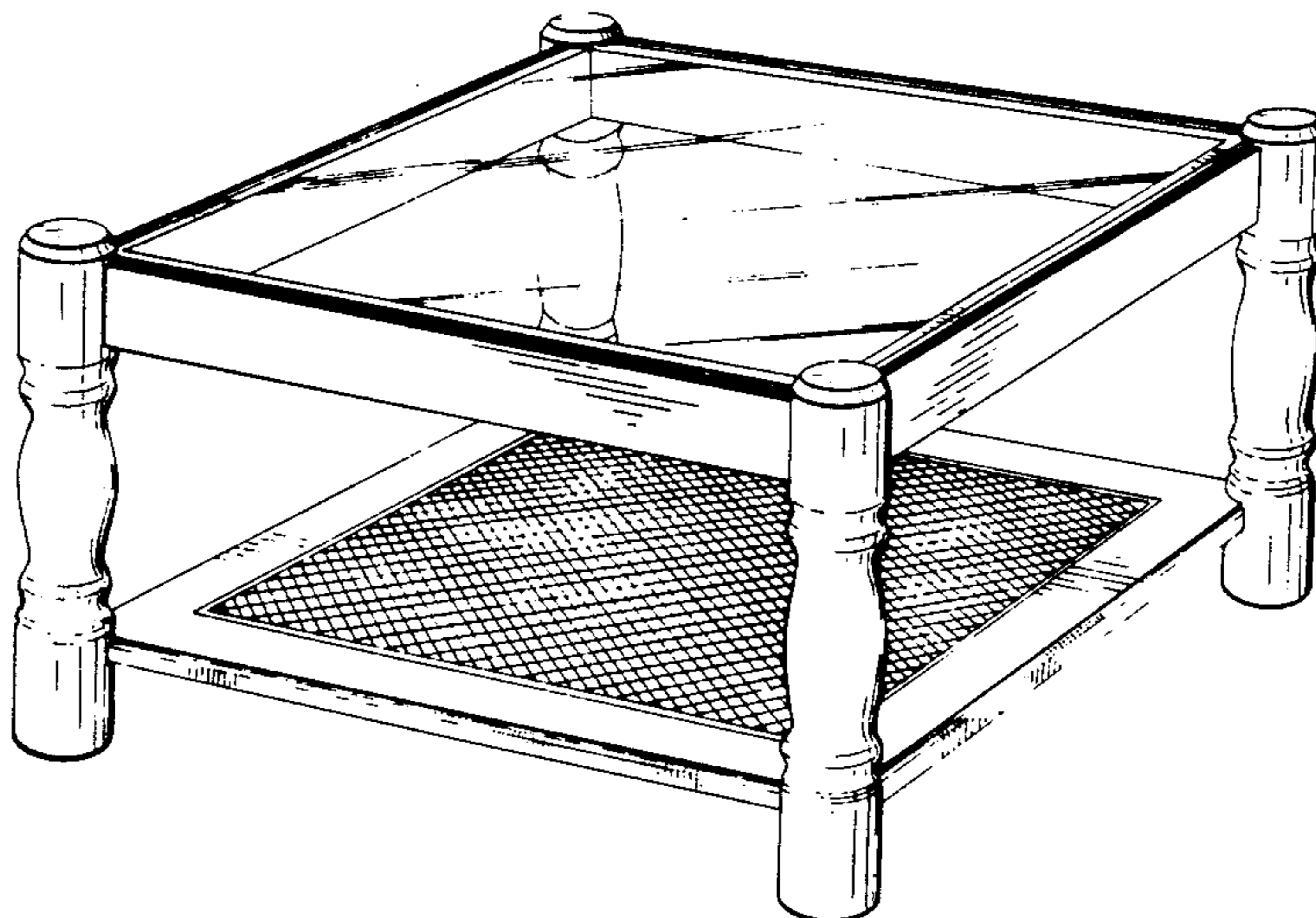
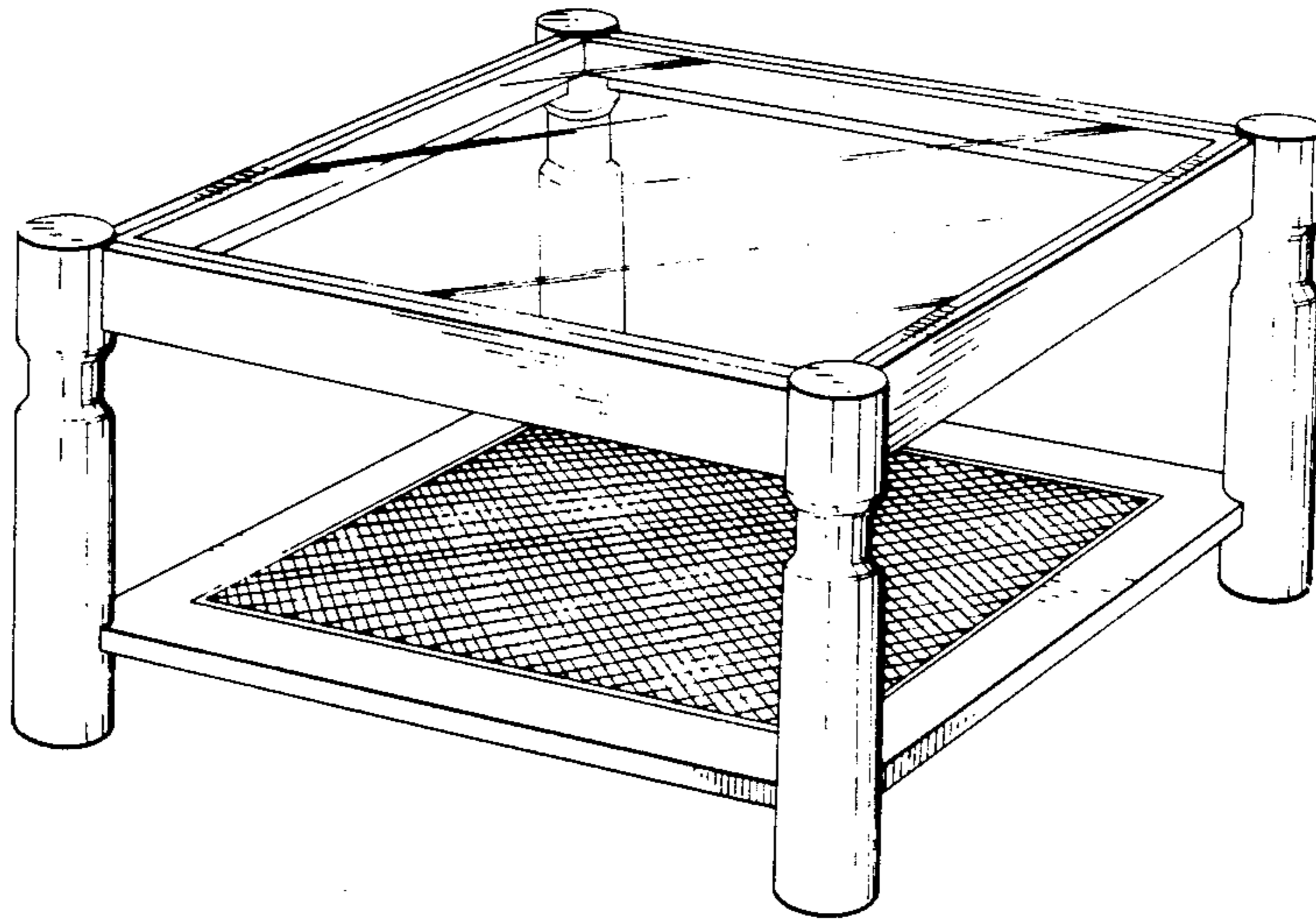
*Attorney, Agent, or Firm*—Lewis E. Hanley

[57] **CLAIM**

The ornamental design for a table, as shown and described.

**DESCRIPTION**

FIG. 1 is a perspective view of a table showing my new design; and FIG. 2 is a perspective view of a modified form thereof. All four table legs are the same in appearance in FIG. 1 and, likewise, the table legs of FIG. 2 are all of the same configuration.



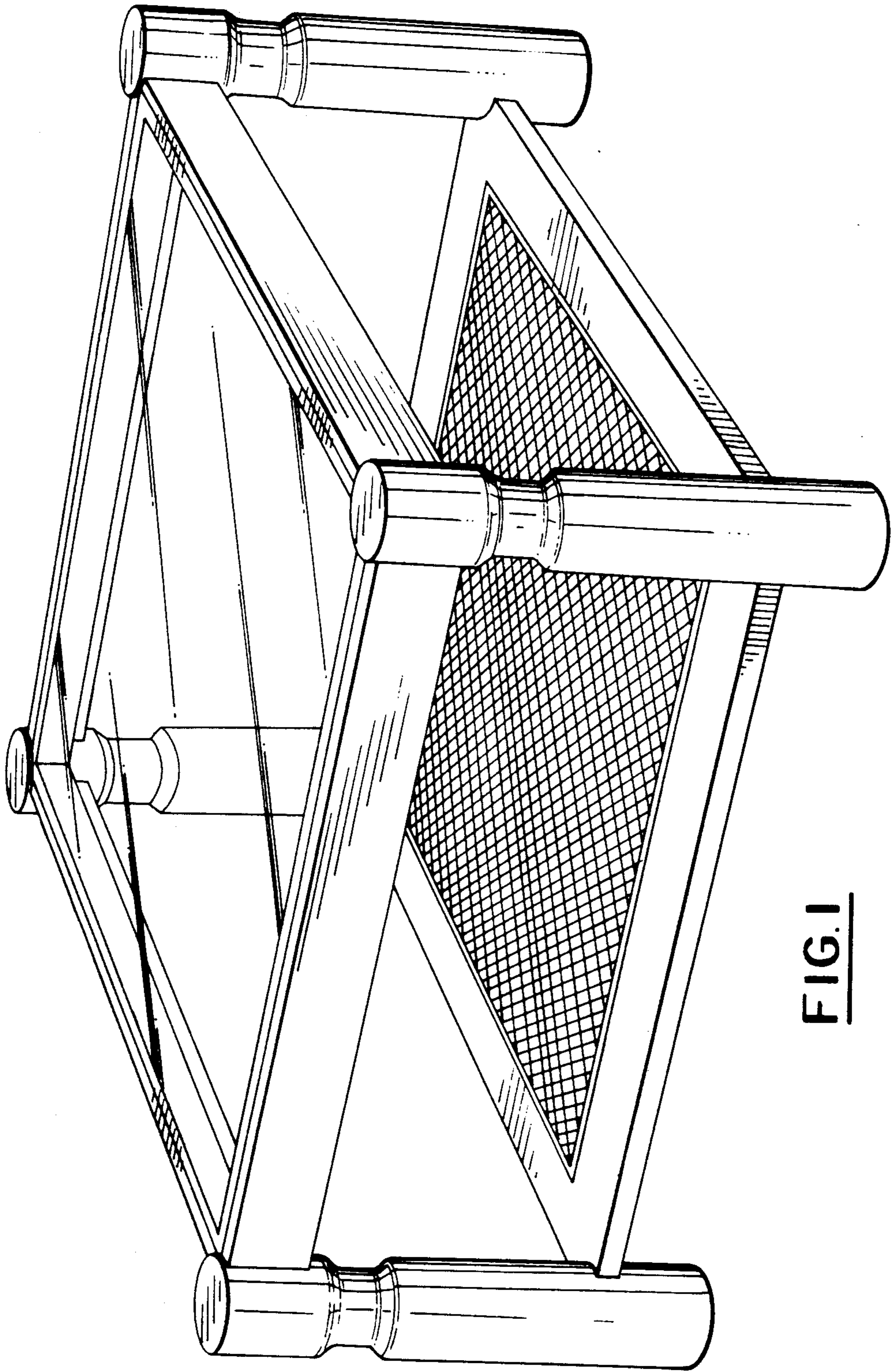


FIG. 1

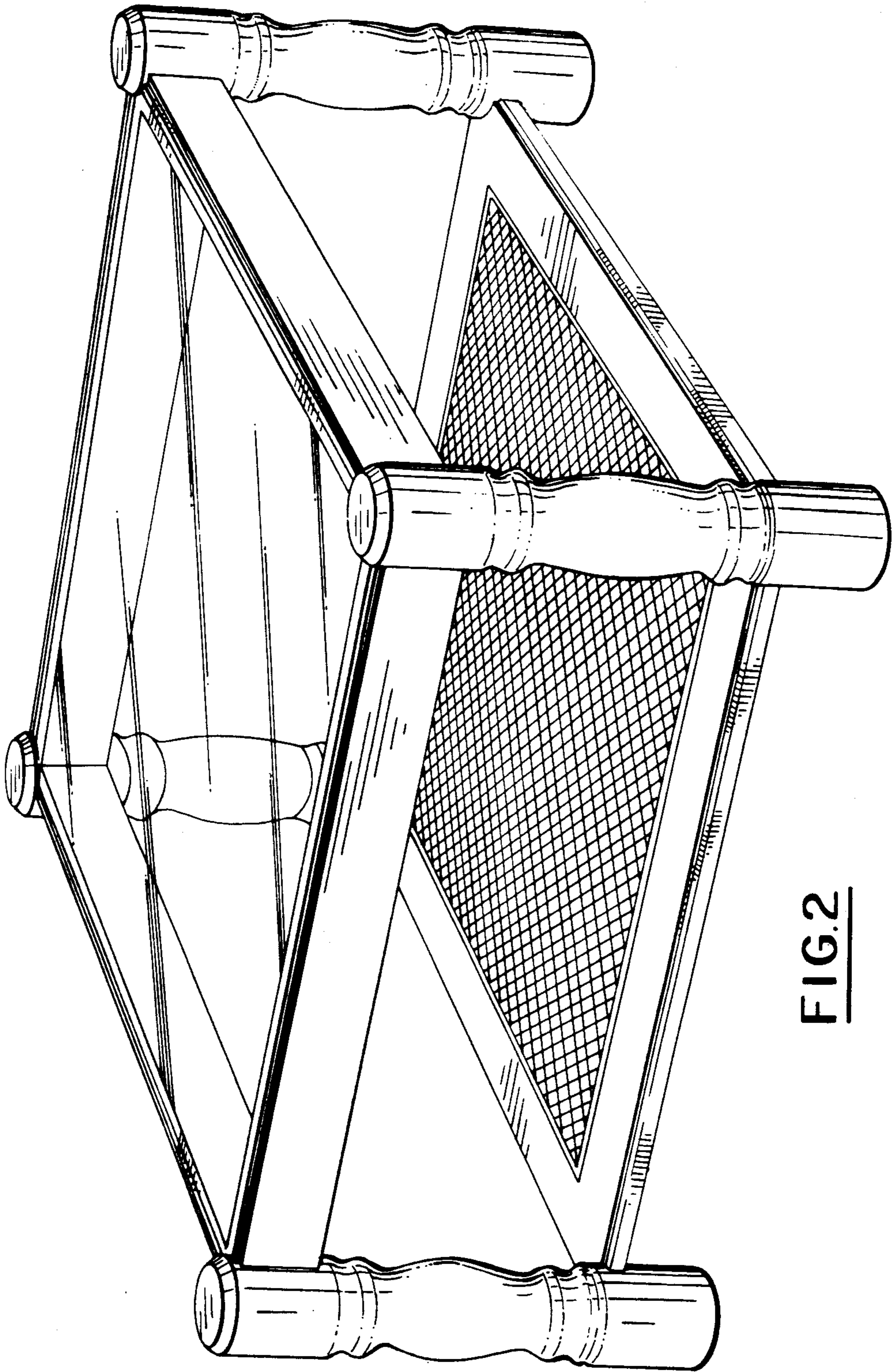


FIG. 2