

[54] **COMBINED TOOTHBRUSH, DISPLAY AND CHARGING UNIT THEREFOR**

D. 205,754 9/1966 Hall D4/16
D. 222,862 1/1972 Cook D24/15
D. 246,667 12/1977 Mackay et al. D24/15

[76] Inventor: **Fred J. Barker**, 415 N. Hutchinson St., Adel, Ga. 31620

Primary Examiner—Wallace R. Burke
Assistant Examiner—Catherine Kemper
Attorney, Agent, or Firm—James E. Armstrong, III

[**] Term: **14 Years**

[21] Appl. No.: **788,680**

[57] **CLAIM**

[22] Filed: **Apr. 18, 1977**

The ornamental design for a combined toothbrush, display and charging unit therefor, as shown and described.

[51] Int. Cl. **D4—02; D24—03**

[52] U.S. Cl. **D4/15; D4/16; D24/15**

[58] **Field of Search** **D4/14, 15, 16; D24/15; 15/167 R, 21 R, 21 E, 22 R; 132/84 R; 128/66, 62 A**

DESCRIPTION

FIG. 1 is a perspective view of a combined toothbrush, display and charging unit therefor showing my new design;

FIG. 2 is a top plan view thereof shown on a slightly larger scale;

FIG. 3 is a bottom plan view thereof;

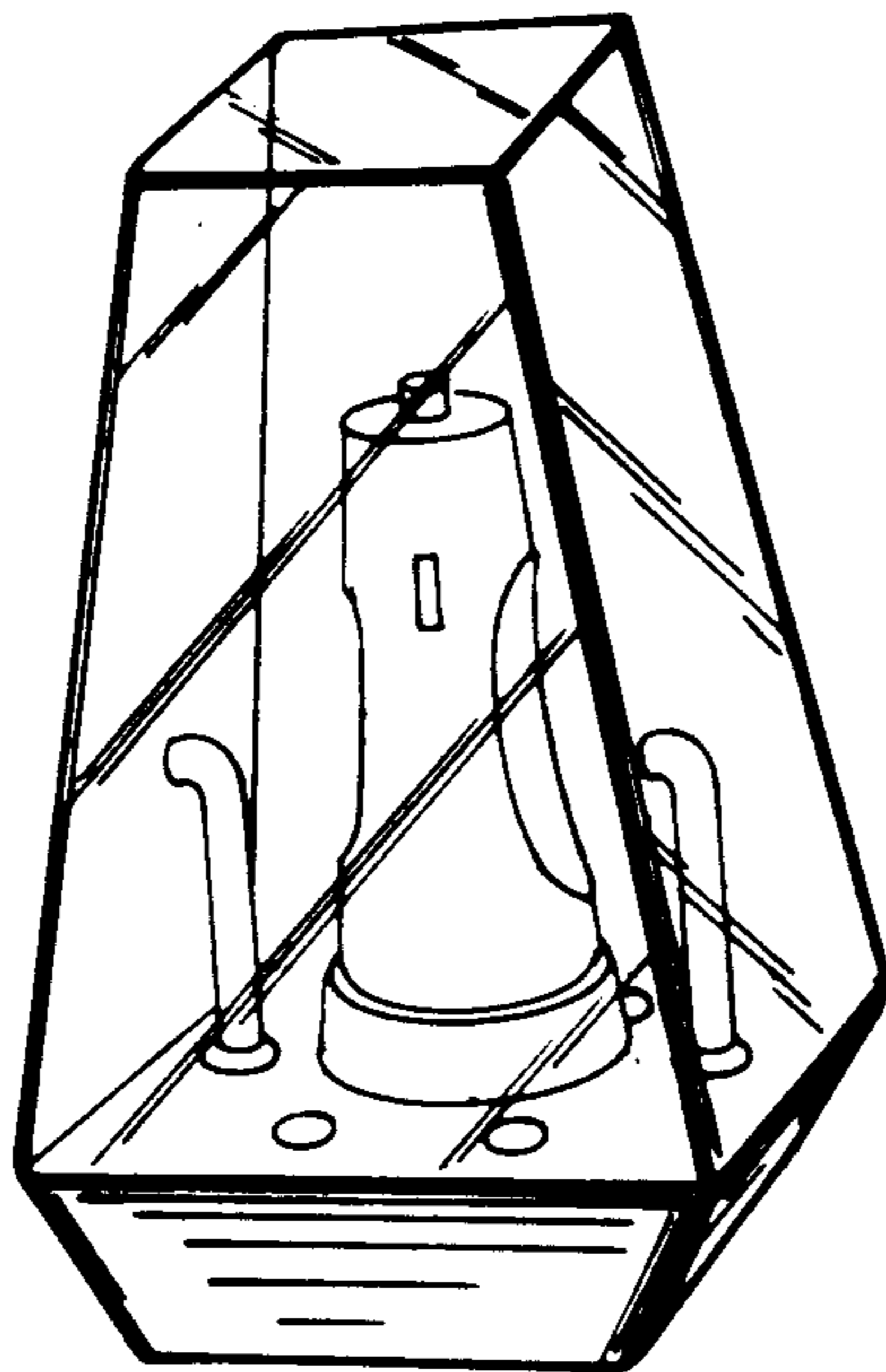
FIG. 4 is a side elevational view thereof; and

FIG. 5 is a front elevational view thereof.

[56] **References Cited**

U.S. PATENT DOCUMENTS

D. 202,764 11/1965 Friedman D4/16



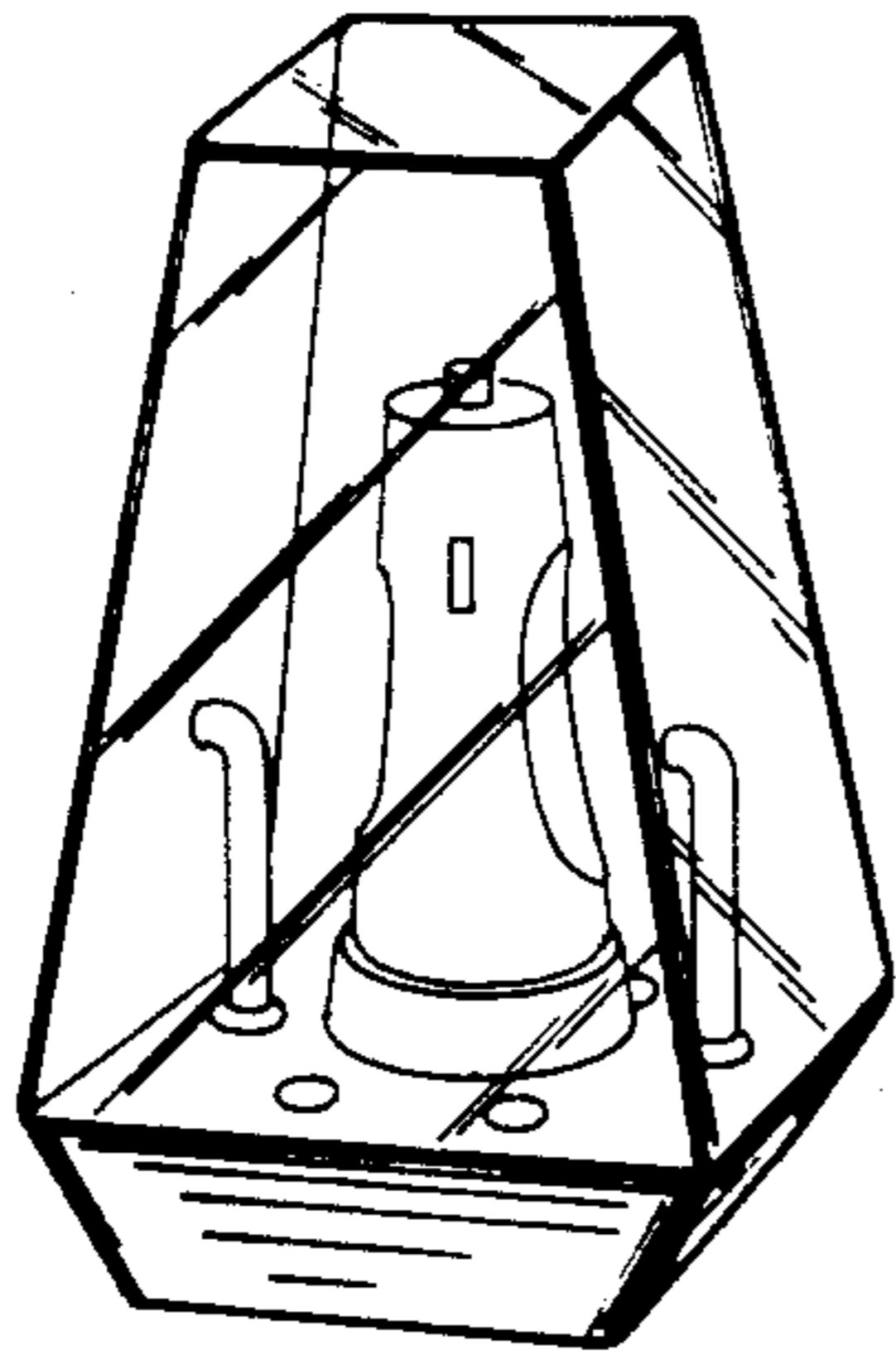


FIG. 1

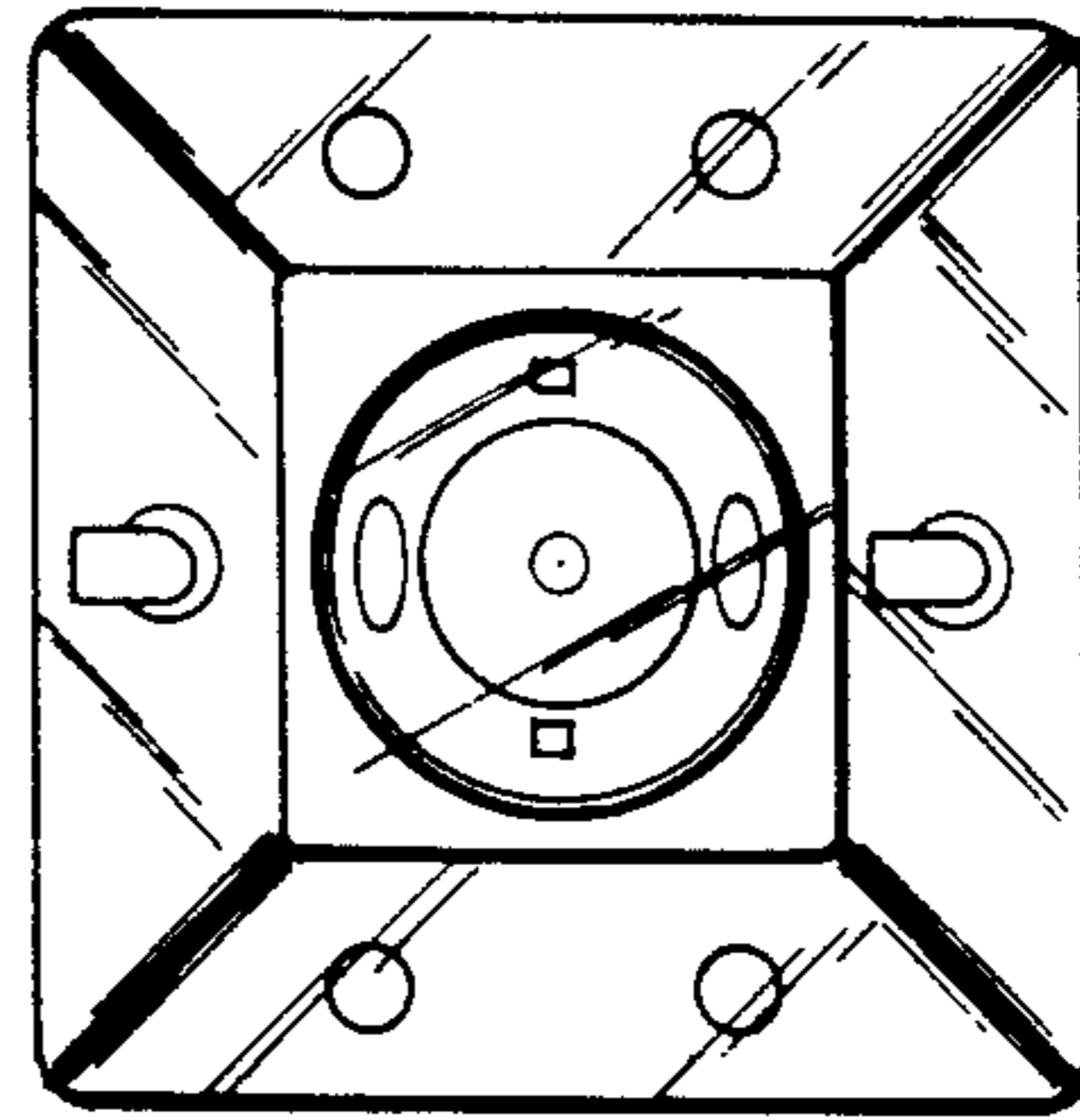


FIG. 2

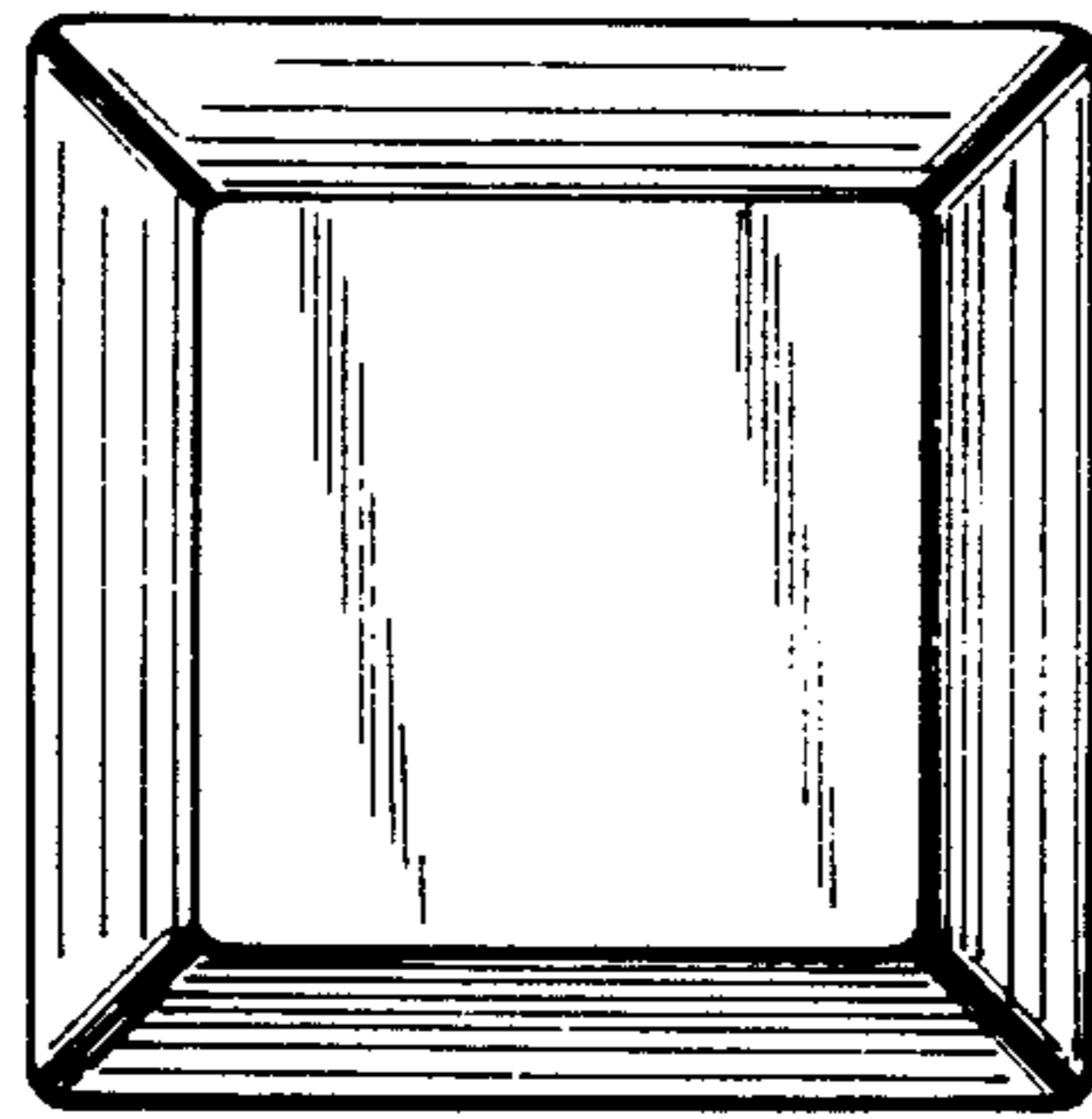


FIG. 3

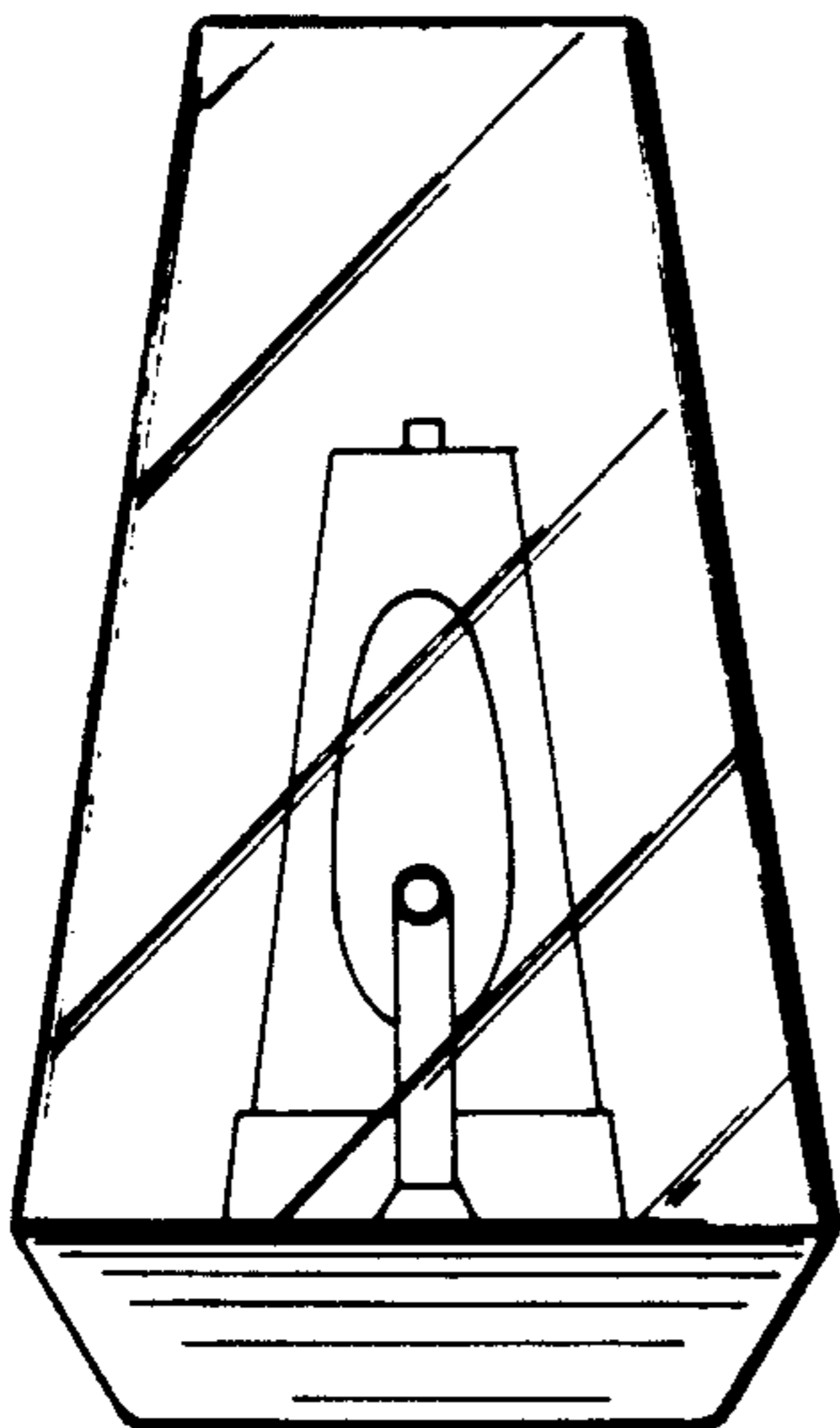


FIG. 4

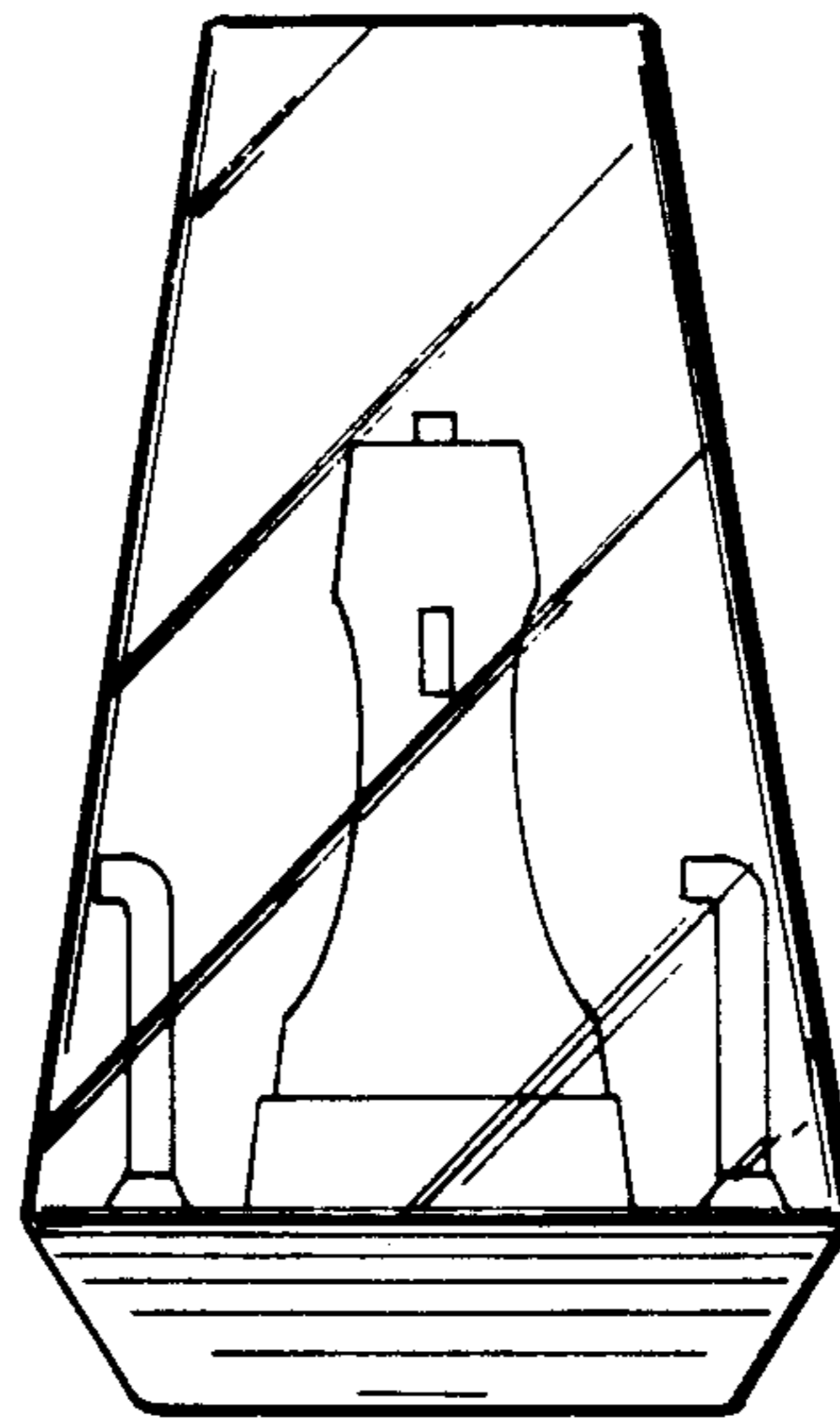


FIG. 5