

[54] MOVIE LAMP OR SIMILAR ARTICLE  
[75] Inventors: Warren H. Young, Marshfield; Nolan A. Drevitch, South Easton; Anthony G. Rosati, Salem, all of Mass.

2,851,936 9/1958 Seiden ..... 354/132  
3,747,488 7/1973 Bennett ..... 354/126

[73] Assignee: Polaroid Corporation, Cambridge, Mass.

FOREIGN PATENT DOCUMENTS

477702 10/1969 Switzerland ..... 362/3  
20882 of 1909 United Kingdom ..... D48/16 B

[\*\*] Term: 14 Years

OTHER PUBLICATIONS

Photographic Trade News—Mar. 21, 1977—pp. 49 and 62—Movie Lights.

[21] Appl. No.: 847,689

Primary Examiner—Wallace R. Burke  
Assistant Examiner—Catherine Kemper

[22] Filed: Nov. 1, 1977

Attorney, Agent, or Firm—Frederick A. Goettel, Jr.

[51] Int. Cl. .... D26—05; D16—05

[52] U.S. Cl. .... D48/20 K; D16/42

[58] Field of Search ..... D16/42; D48/20 K, 20 E,  
D48/16 B, 16 D; 362/3, 10, 171, 803, 362, 376,  
7, 8; 354/132, 126

[57] CLAIM

The ornamental design for a movie lamp or similar article, as shown.

[56] References Cited

DESCRIPTION

U.S. PATENT DOCUMENTS

D. 204,714	5/1966	Shalvoy et al. ....	D48/20 K X
D. 212,549	10/1968	Macleod, Jr. et al. ....	D48/20 K
D. 235,222	5/1975	Larson .....	D48/20 K
D. 251,147	2/1979	Young et al. ....	D16/42 X
D. 251,148	2/1979	Young et al. ....	D16/42 X

FIG. 1 is a top plan view of a movie lamp or similar article showing our new design;  
FIG. 2 is a front elevational view thereof;  
FIG. 3 is a rear elevational view thereof;  
FIG. 4 is a bottom plan view thereof; and  
FIG. 5 is a left side elevational view thereof.

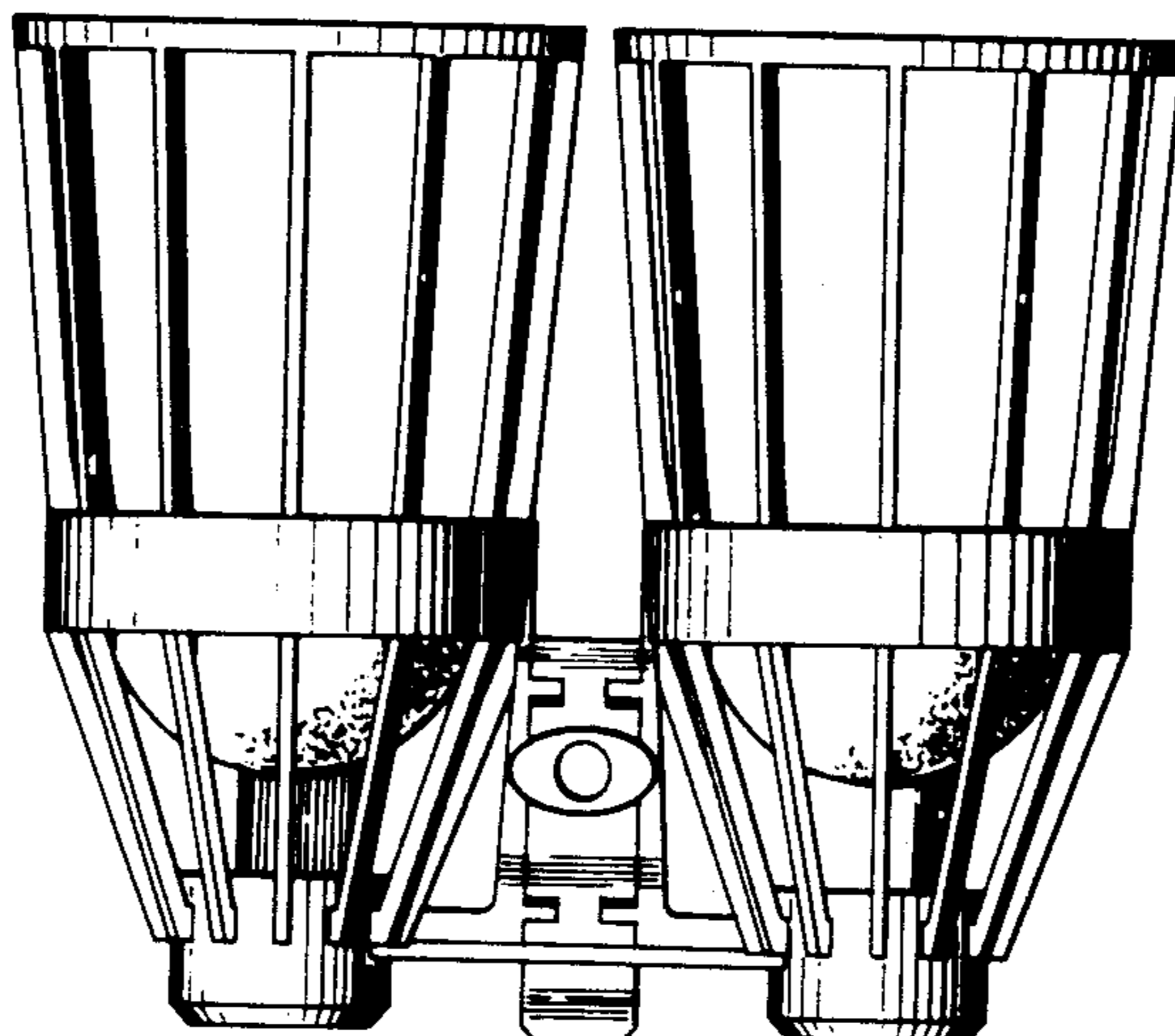
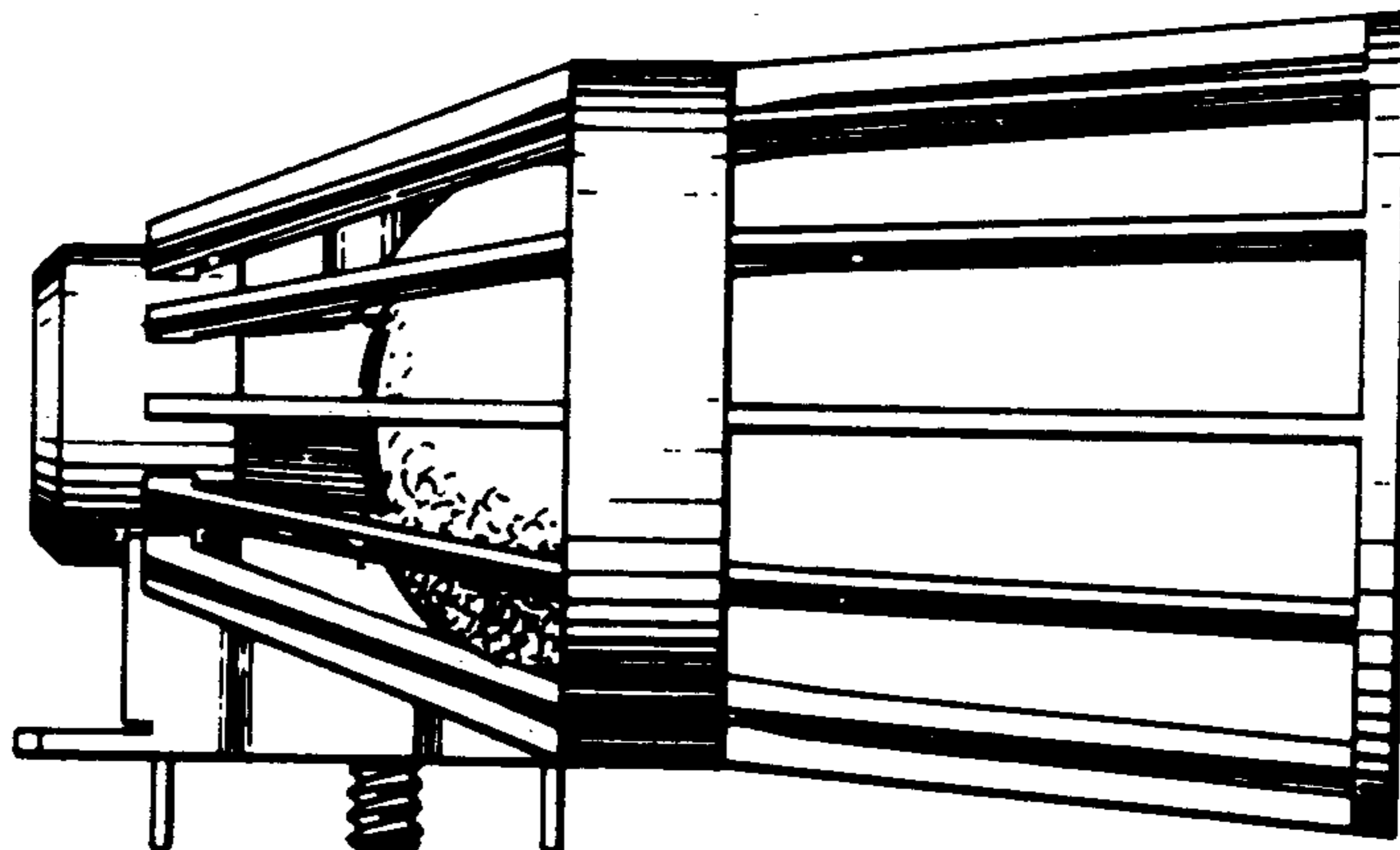


FIG. 1

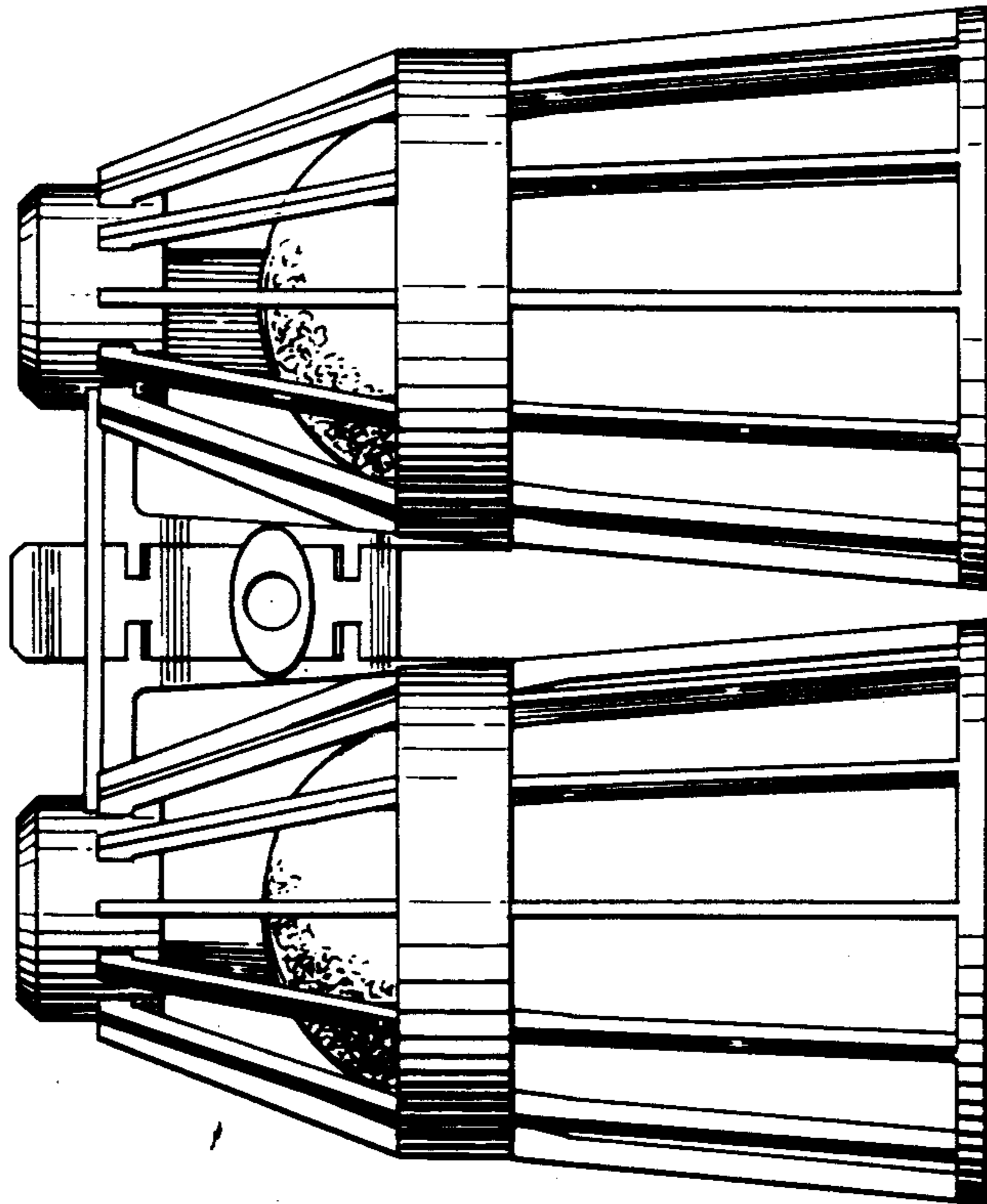


FIG. 2

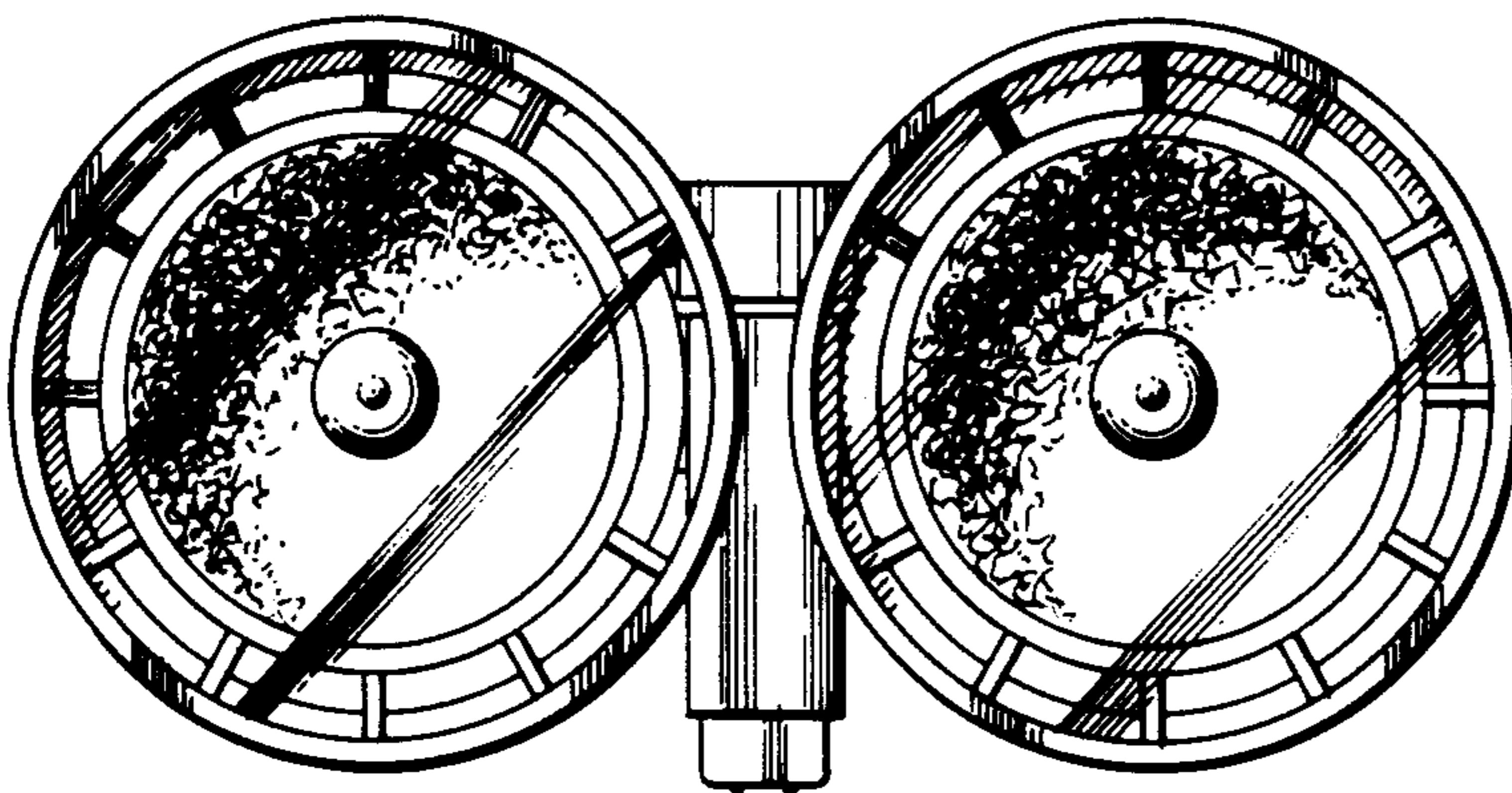
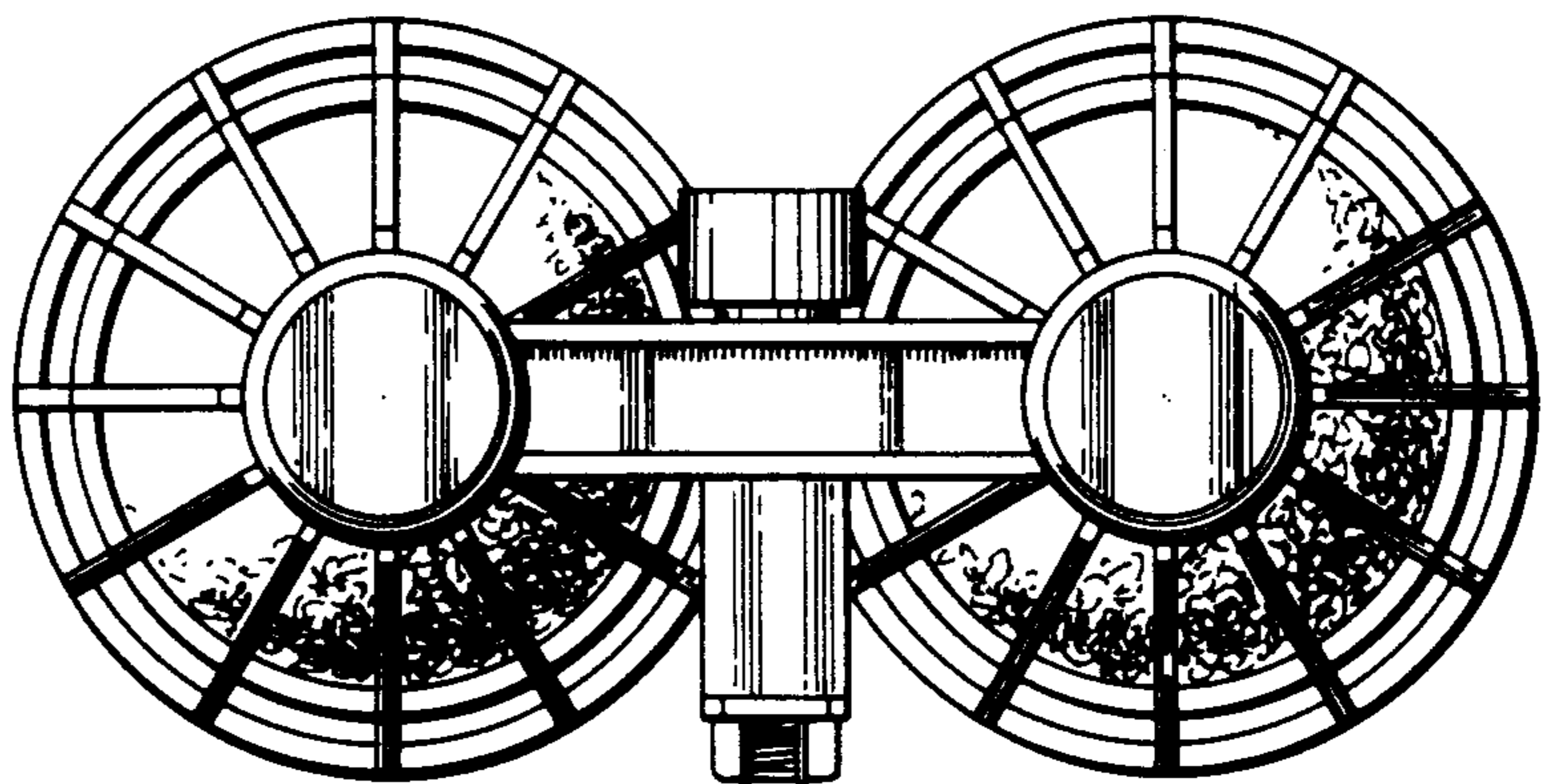


FIG. 3



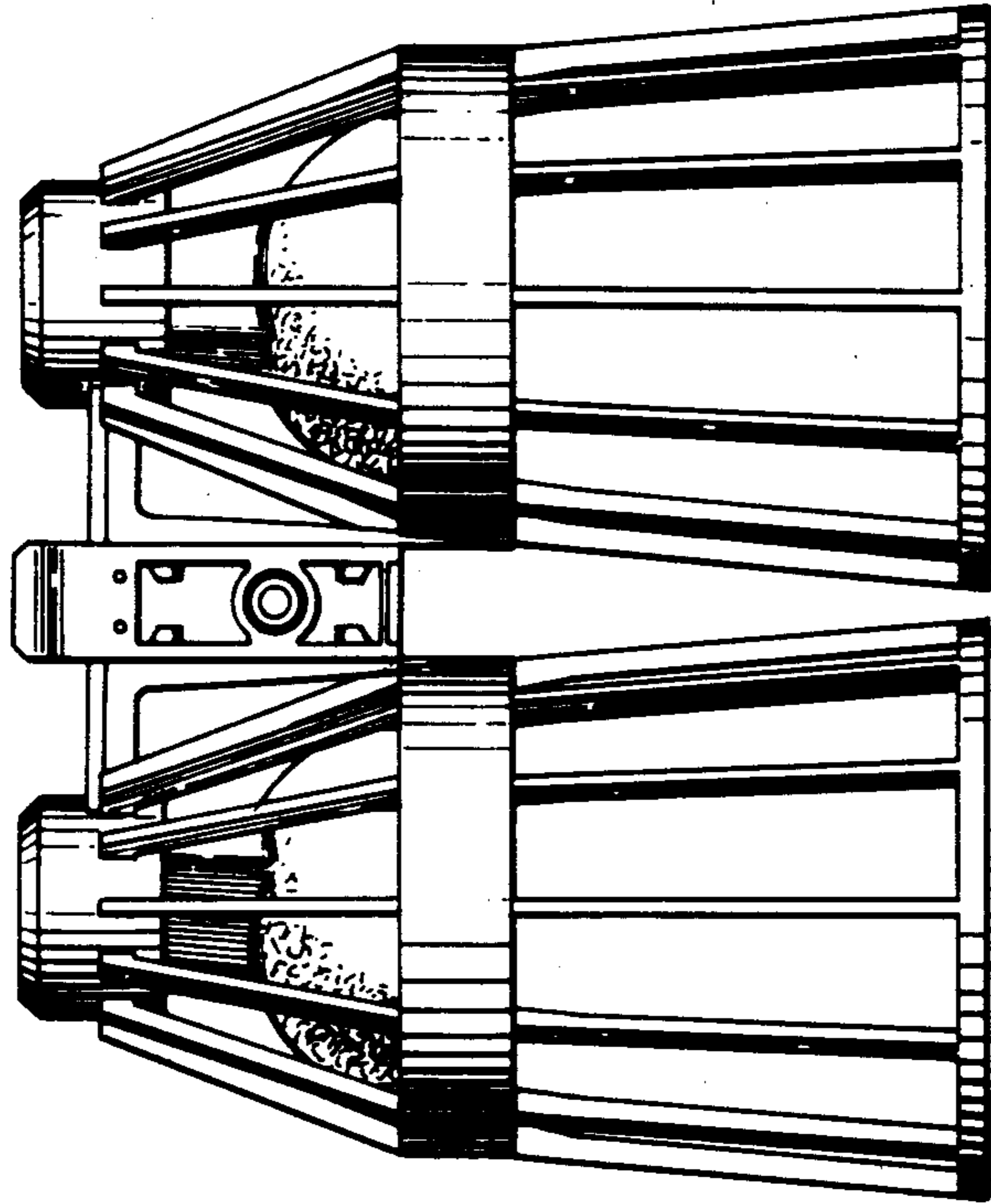


FIG. 4

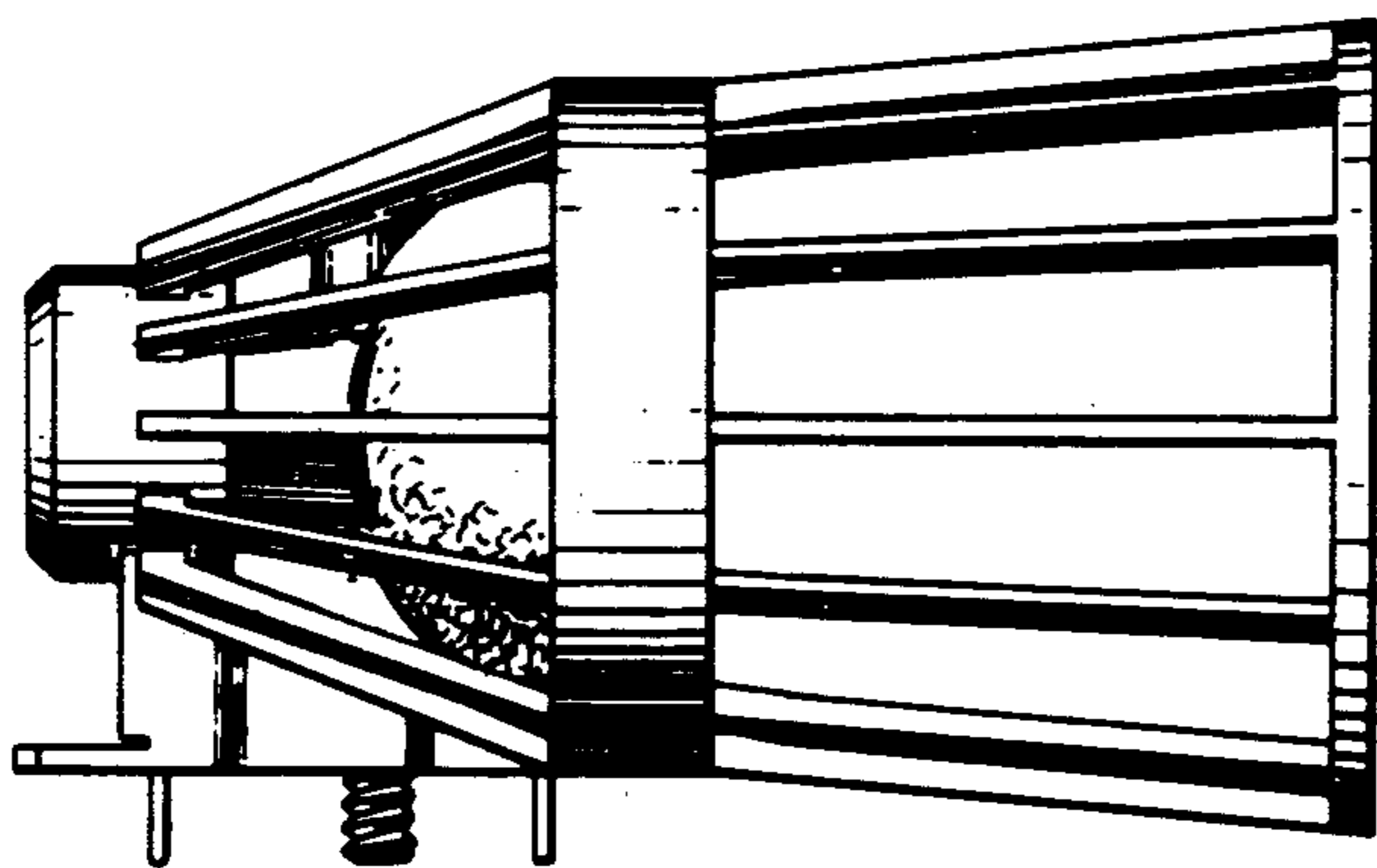


FIG. 5