

[54] COMBINED TRACTOR, TRAILER, HELICOPTER AND VEHICLE TOY

[76] Inventor: Jay W. Marden, 18795 SW. 216th St., Miami, Fla. 33170

[**] Term: 14 Years

[21] Appl. No.: 819,586

[22] Filed: Jul. 27, 1977

[51] Int. Cl. D21-01

[52] U.S. Cl. D21/134; D21/85

[58] Field of Search D34/15 AJ; 46/201, 202, 46/204, 205, 206, 207, 208, 209, 214, 75; D34/15 KK, 15 MM, 15 AM; D21/128, 140, 134, 135, 85

[56] References Cited

U.S. PATENT DOCUMENTS

3,594,951 7/1971 Perhaps 46/202

FOREIGN PATENT DOCUMENTS

9615 9/1956 Fed. Rep. of Germany 46/202

OTHER PUBLICATIONS

Playthings, 11-1976, p. 7, Tractor Trailer at "A".
Wiking, Flier, 1972, front cover, Toy Vehicle at "A".
Plastic Toy & Novelty Corp. Cat., 1966, p. 5, "Auto Transport".
Sears 1976 Wish Book, p. 444, Toy Transport at top of page.

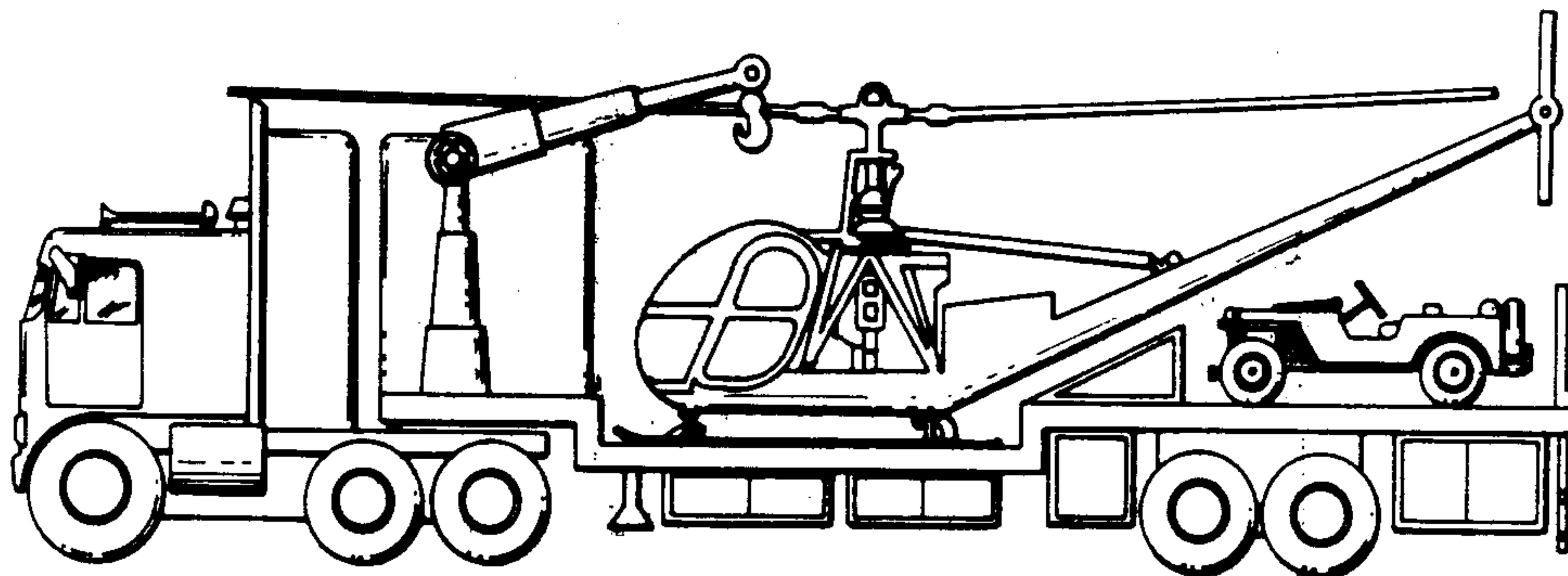
Primary Examiner—Joel Stearman
Assistant Examiner—Charles A. Rademaker
Attorney, Agent, or Firm—George H. Baldwin

[57] CLAIM

The ornamental design for a combined tractor, trailer, helicopter and vehicle toy, substantially as shown.

DESCRIPTION

FIG. 1 is a right side elevational view of a combined tractor, trailer, helicopter and vehicle toy showing my new design;
FIG. 2 is a left side elevational view thereof;
FIG. 3 is a top plan view thereof;
FIG. 4 is a bottom plan view thereof;
FIG. 5 is a front elevational view thereof; and
FIG. 6 is a rear elevational view thereof.



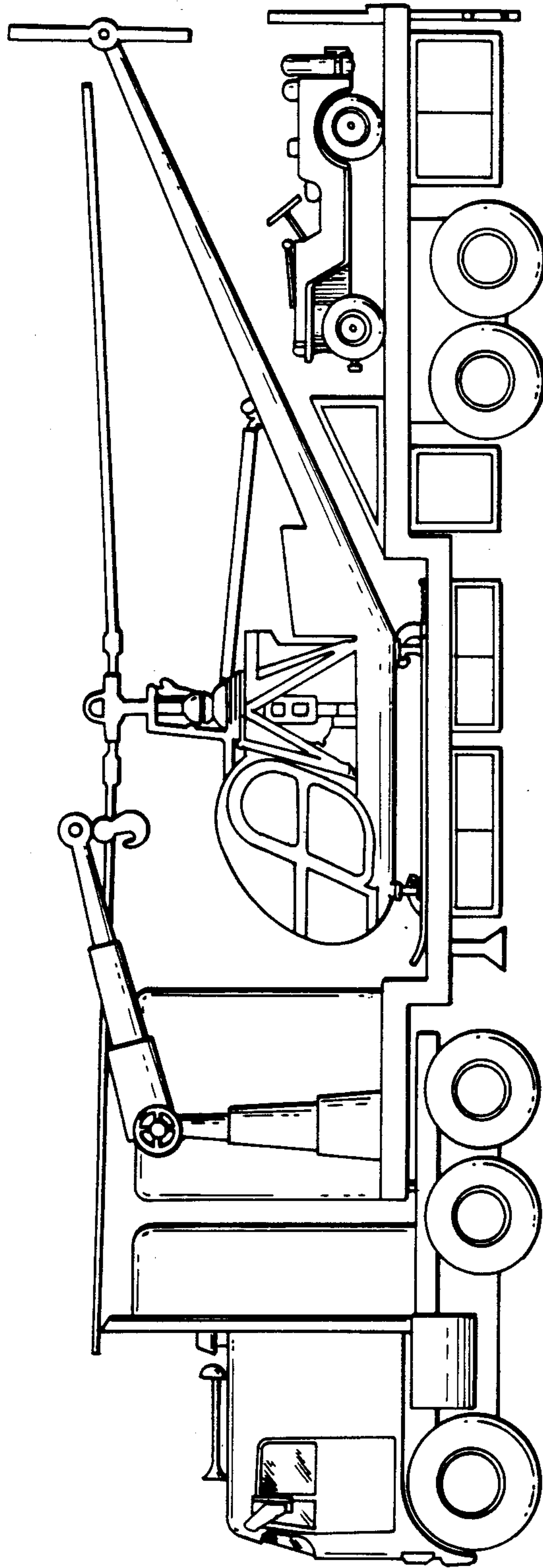


Fig. 1

Fig. 2

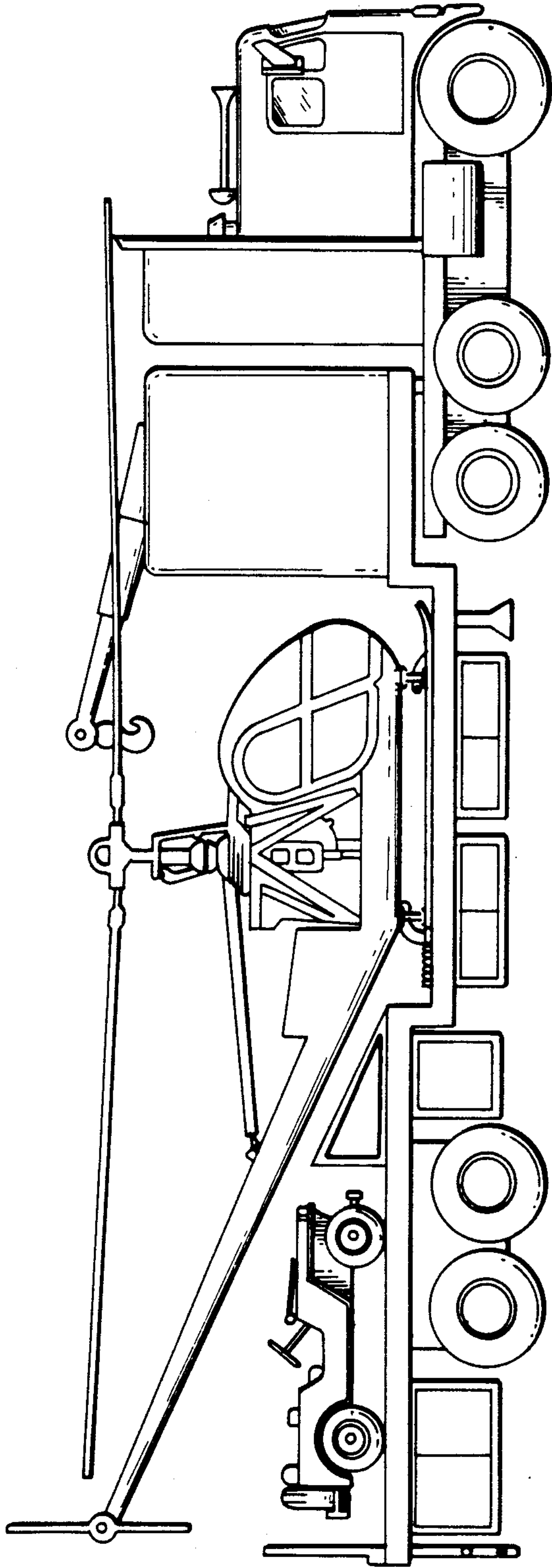


Fig. 3

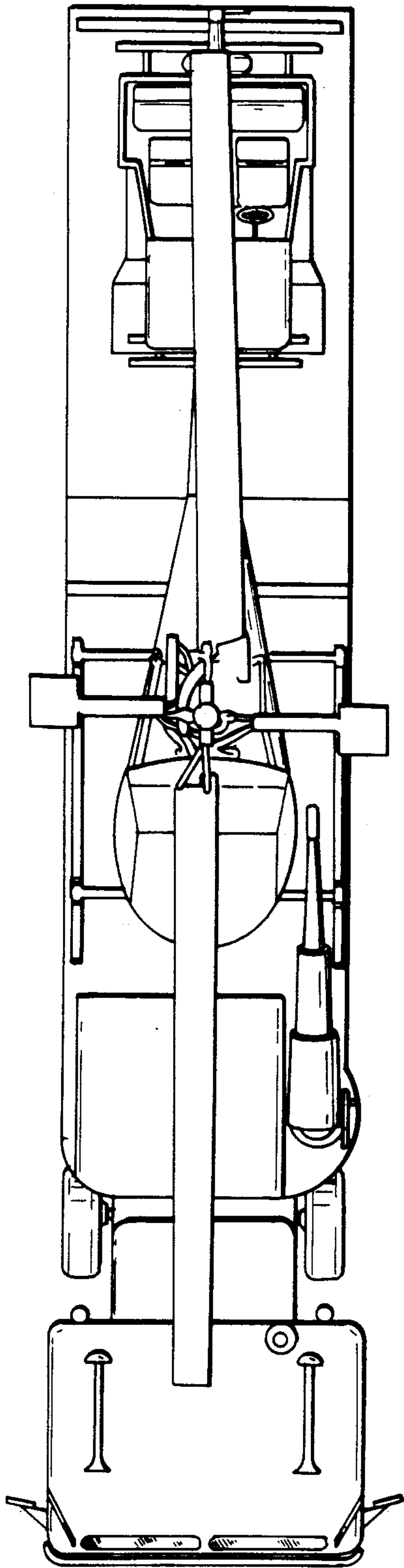
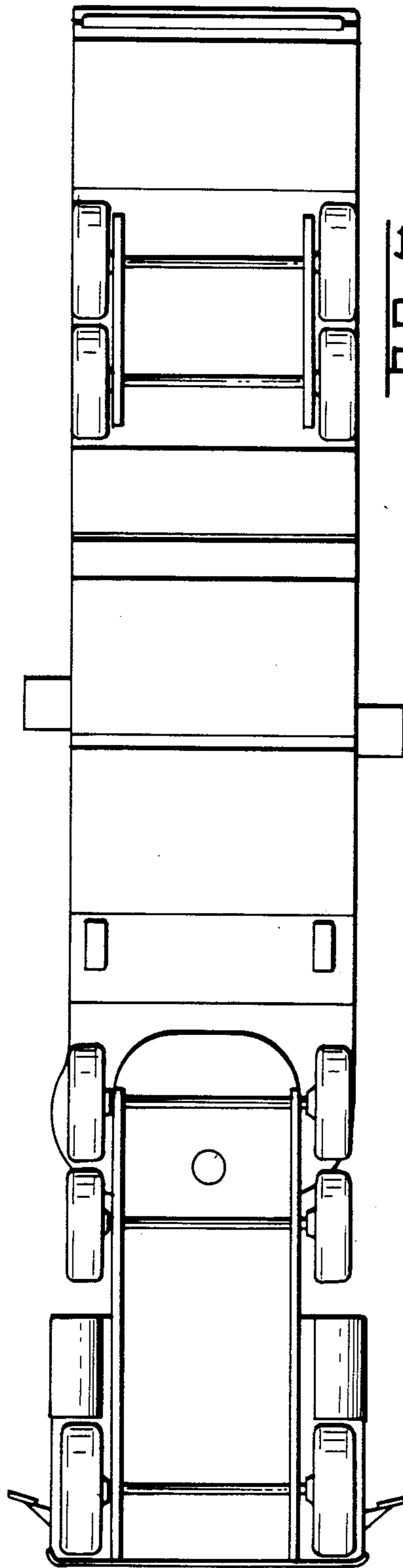


Fig. 4



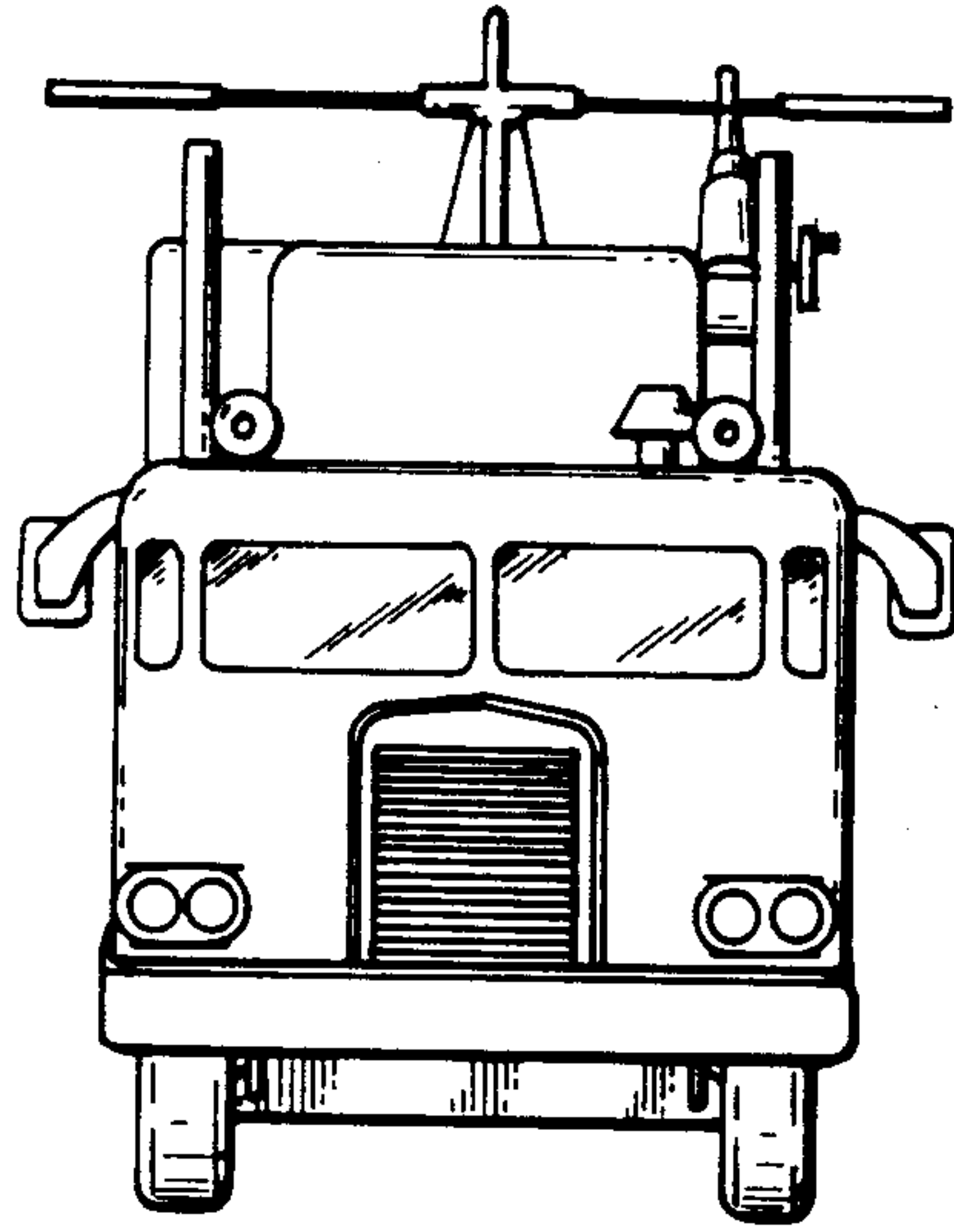


Fig. 7

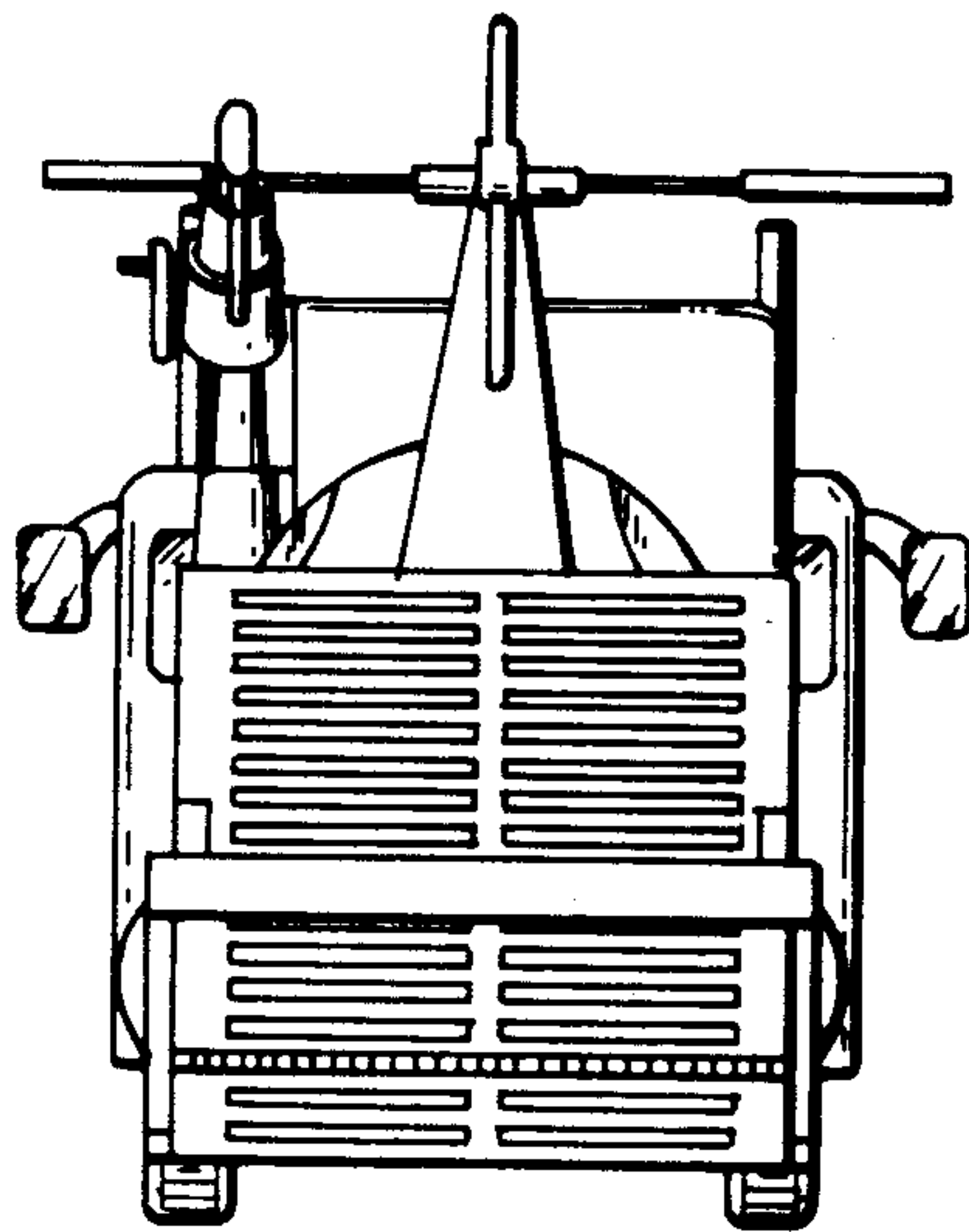


Fig. 6