

[54] COMBINED LIPSTICK AND CIGARETTE LIGHTER

[76] Inventor: Henry Wolff, 406 Trailer Village, Oakdale Rd., Johnson City, N.Y. 13790

[**] Term: 14 Years

[21] Appl. No.: 847,320

[22] Filed: Oct. 31, 1977

[51] Int. Cl. D28-03

[52] U.S. Cl. D28/77; D27/38; D27/42; D28/88

[58] Field of Search D27/36, 38, 42; D28/4, D28/7, 73, 76, 77, 85-89, 99; D9/23, 24, 18, 216, 195; 132/79 R, 79 A, 79 C, 82 A, 83 B, 88.7, DIG. 3; 401/118; 206/229, 230, 385, 457; 431/124, 127

[56] References Cited

U.S. PATENT DOCUMENTS

- D. 163,535 6/1951 Monturo D27/38
- D. 228,666 10/1973 Bich D27/42

2,264,482 12/1941 Ridner, Sr. et al. 132/79 C

FOREIGN PATENT DOCUMENTS

130836 8/1919 United Kingdom 431/127

OTHER PUBLICATIONS

Vogue, 7/15/1939, p. 68—Mary Dunhill Lipsticks at upper right.

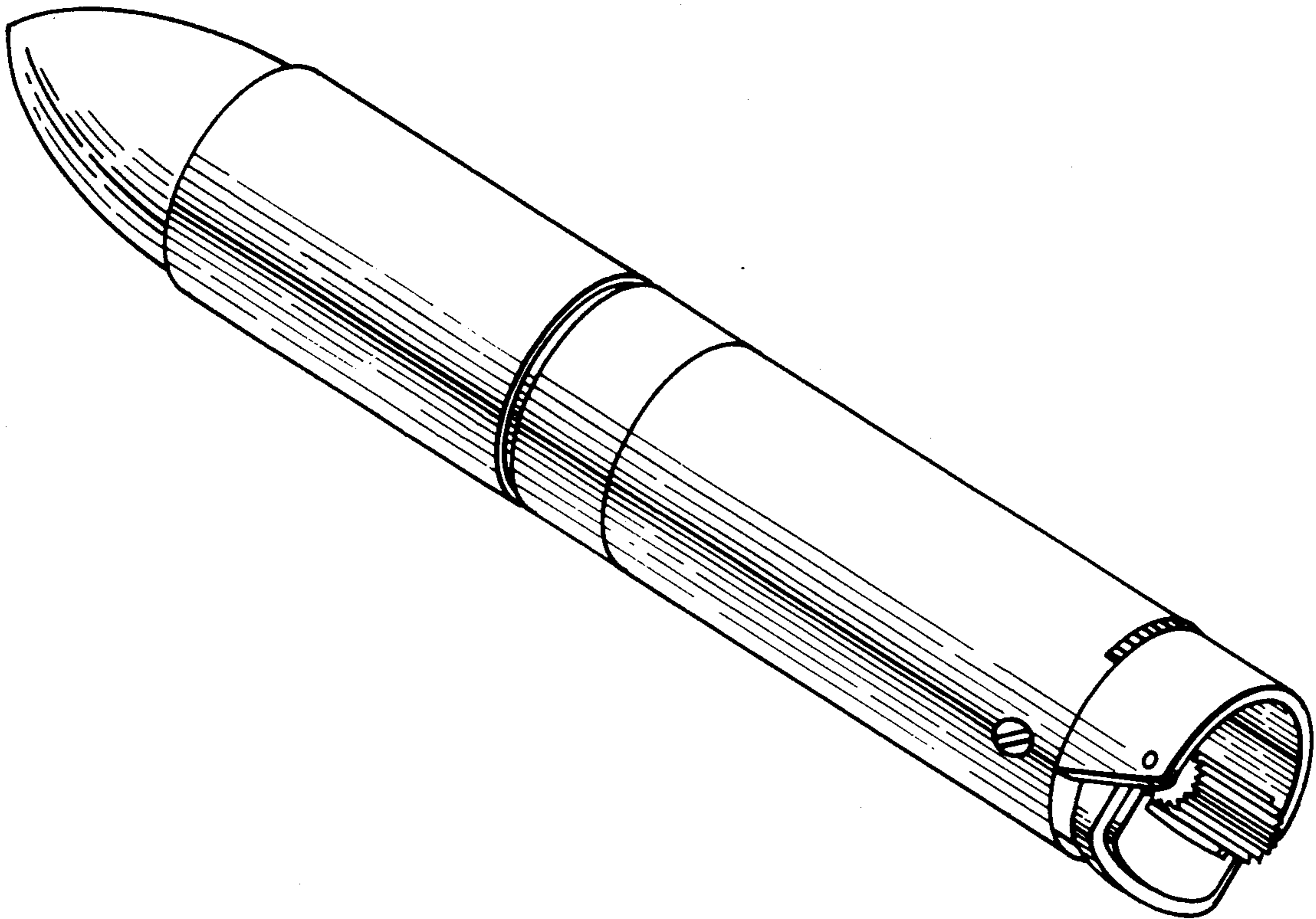
Primary Examiner—Louis S. Zarfes
Attorney, Agent, or Firm—Charles S. Neave

[57] CLAIM

The ornamental design for a combined lipstick and cigarette lighter or similar article, as shown and described.

DESCRIPTION

FIG. 1 is a perspective view of a combined lipstick and cigarette lighter showing my new design, the opposite side being a mirror image of the side shown; FIG. 2 is an end view of the lipstick portion; and FIG. 3 is an end view of the lighter portion. The design is for an optionally exchangeable lipstick element to accommodate color and shade desires of the user.



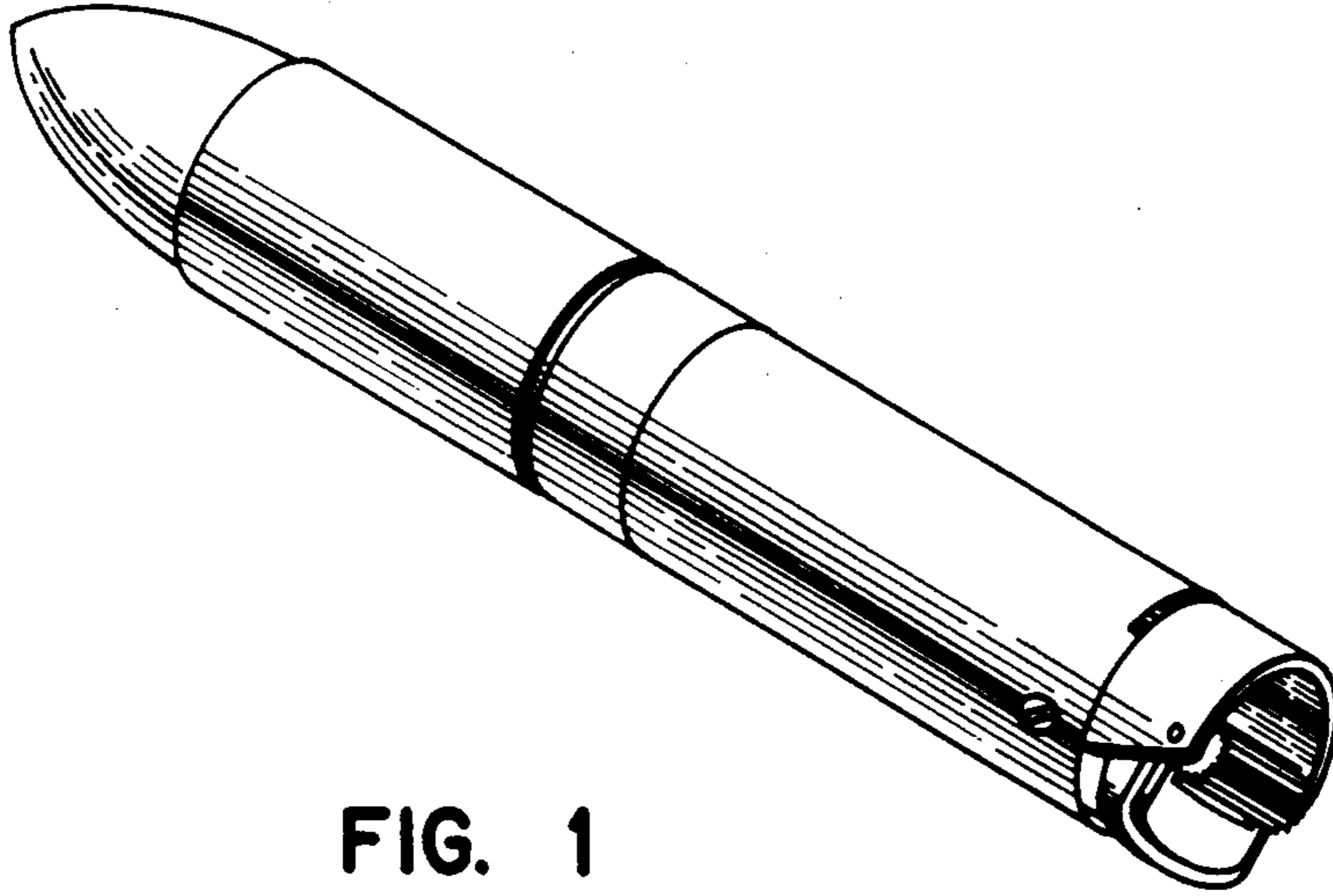


FIG. 1



FIG. 2

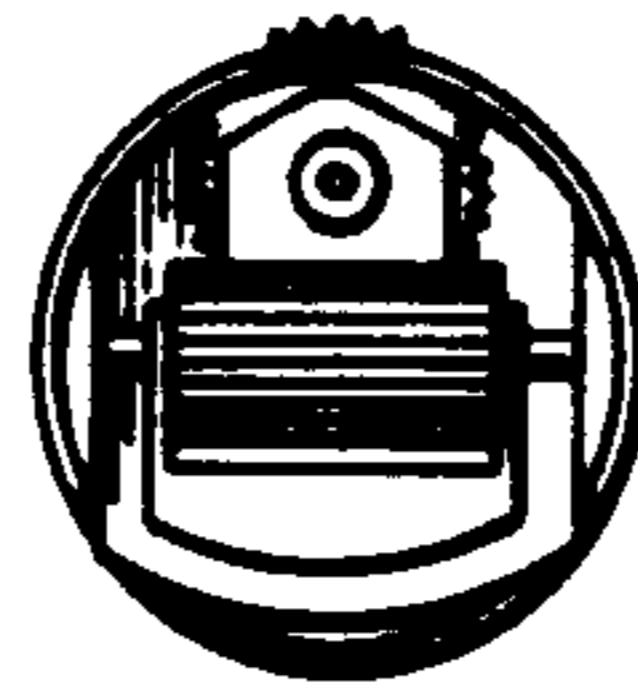


FIG. 3