

[54] SHUT-OFF VALVE

[76] Inventor: Jerome Koenig, 3 Kadash Barnea, Tel Aviv, Israel

[\*\*] Term: 14 Years

[21] Appl. No.: 820,329

[22] Filed: Jul. 29, 1977

[51] Int. Cl. .... D23-01

[52] U.S. Cl. .... D23/19

[58] Field of Search ..... D23/19-22, D23/34, 35; 251/148, 149, 83, 19

[56] References Cited

U.S. PATENT DOCUMENTS

- D. 175,890 10/1955 Kraebel et al. .... D23/35
- D. 196,774 10/1963 Sanborn ..... D23/35

- D. 229,414 11/1973 Luckenbill et al. .... D23/19
- D. 237,968 12/1975 Olson, Jr. .... D23/40
- 3,258,026 6/1966 Weaver ..... 251/319 X
- 3,632,083 1/1972 Meeks ..... 251/319 X
- 3,768,777 10/1973 Hechler ..... 251/319

FOREIGN PATENT DOCUMENTS

- 1284652 8/1972 United Kingdom ..... 251/319

Primary Examiner—James R. Lergen

Attorney, Agent, or Firm—Benjamin J. Barish

[57] CLAIM

The ornamental design of a shut-off valve, as shown.

DESCRIPTION

FIG. 1 is a top plan view of the shut-off valve showing my design;

FIG. 2 is a side elevational view thereof; and

FIG. 3 is a bottom plan view thereof.

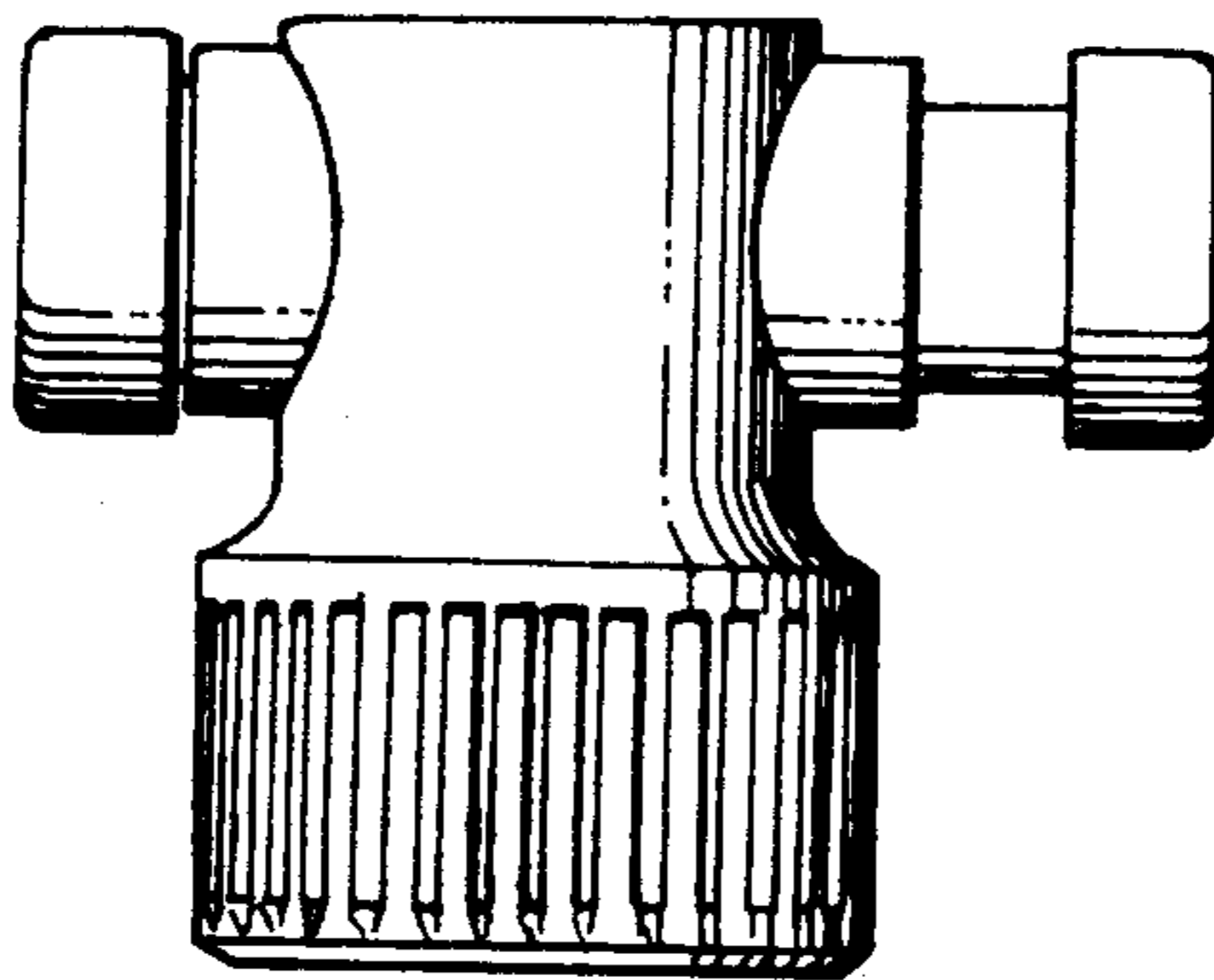
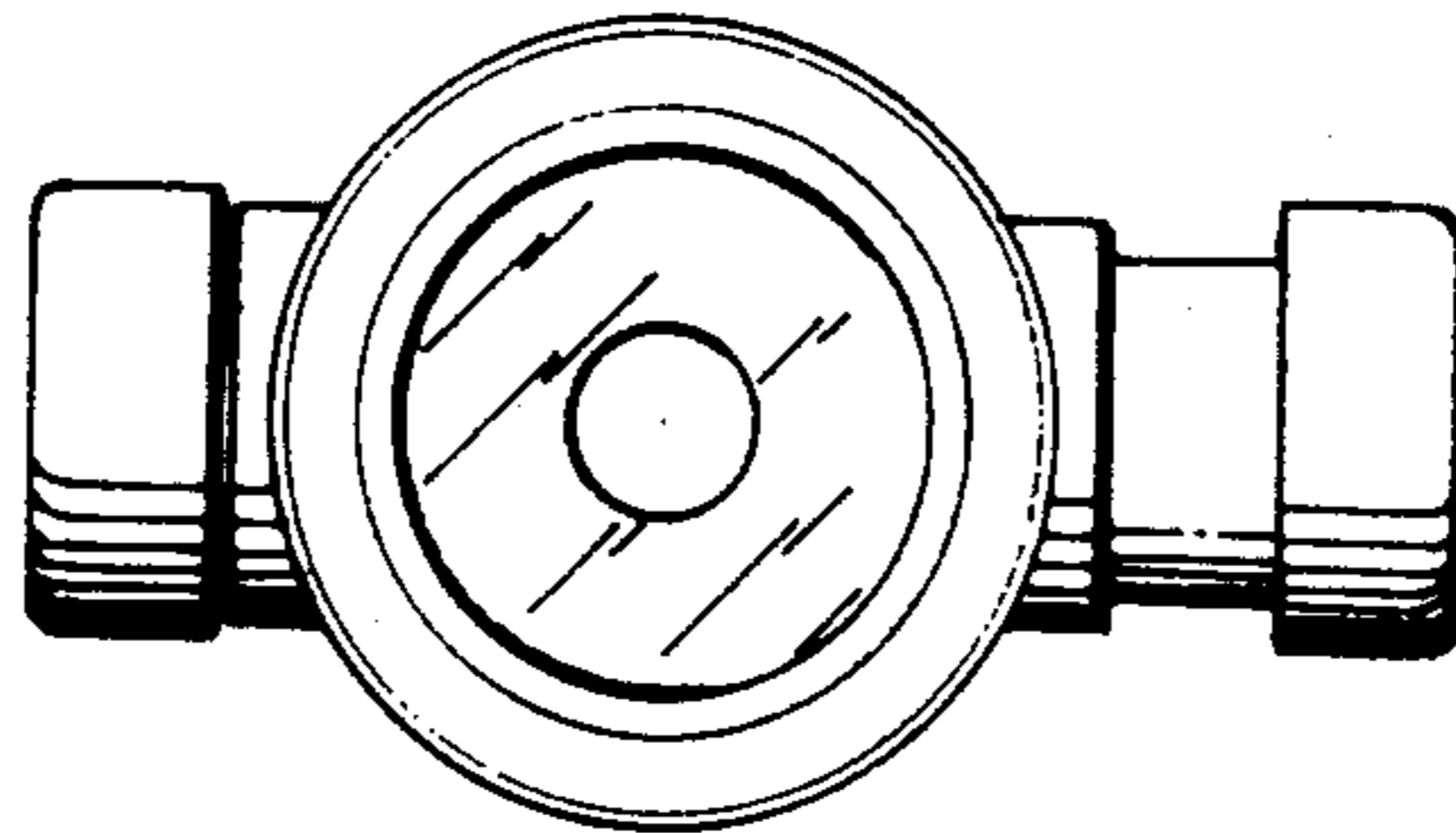


FIG. 1

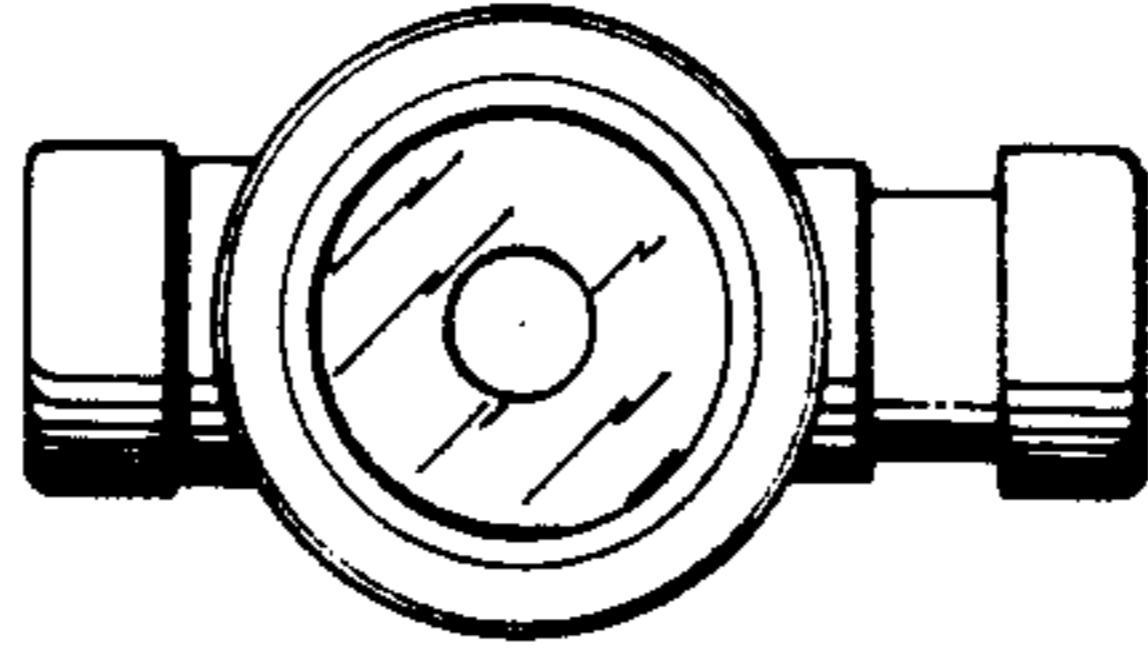


FIG. 2

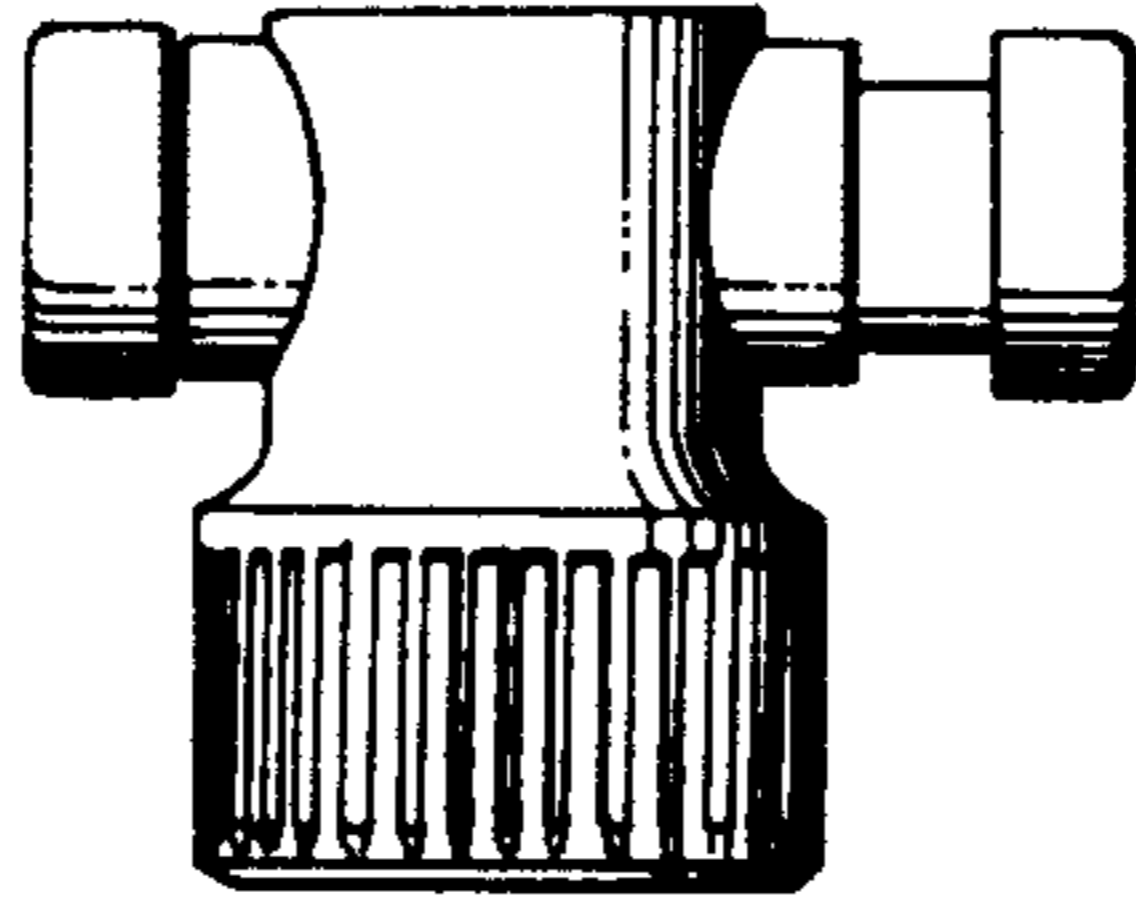


FIG. 3

