

[54] MULTIPLE DRUM BRACKET

[76] Inventor: Marvin V. Kuipers, 526 N. Peoria, Gilman, Ill. 60938

[\*\*] Term: 14 Years

[21] Appl. No.: 815,516

[22] Filed: Jul. 14, 1977

[51] Int. Cl. .... D17-04; D8-08

[52] U.S. Cl. .... D17/22; D8/373

[58] Field of Search ..... D17/22; 84/421; D8/371, D8/373, 354; 248/229

[56] References Cited

U.S. PATENT DOCUMENTS

- D. 25,203 2/1896 Bowen ..... D8/354
- D. 25,868 8/1896 Noyes ..... D8/354
- 2,062,156 11/1936 Zerbst ..... 248/229 X

FOREIGN PATENT DOCUMENTS

- 226714 10/1910 Fed. Rep. of Germany ..... 248/229

1258714 1/1968 Fed. Rep. of Germany ..... 84/421

Primary Examiner—Joel Stearman  
Assistant Examiner—Jane E. Corrigan  
Attorney, Agent, or Firm—William A. Marshall

[57] CLAIM

The ornamental design for a multiple drum bracket, as shown and described.

DESCRIPTION

FIG. 1 is a perspective view of a multiple drum bracket showing my new design in full lines on the left and in broken lines on the right, along with environmental structure of three drums shown in broken lines.

FIG. 2 is a front, top and left side perspective view of the bracket;

FIG. 3 is a front elevational view, the rear being a mirror image thereof;

FIG. 4 is a left side elevational view;

FIG. 5 is right side elevational view;

FIG. 6 is a top plan view;

FIG. 7 is a bottom plan view.

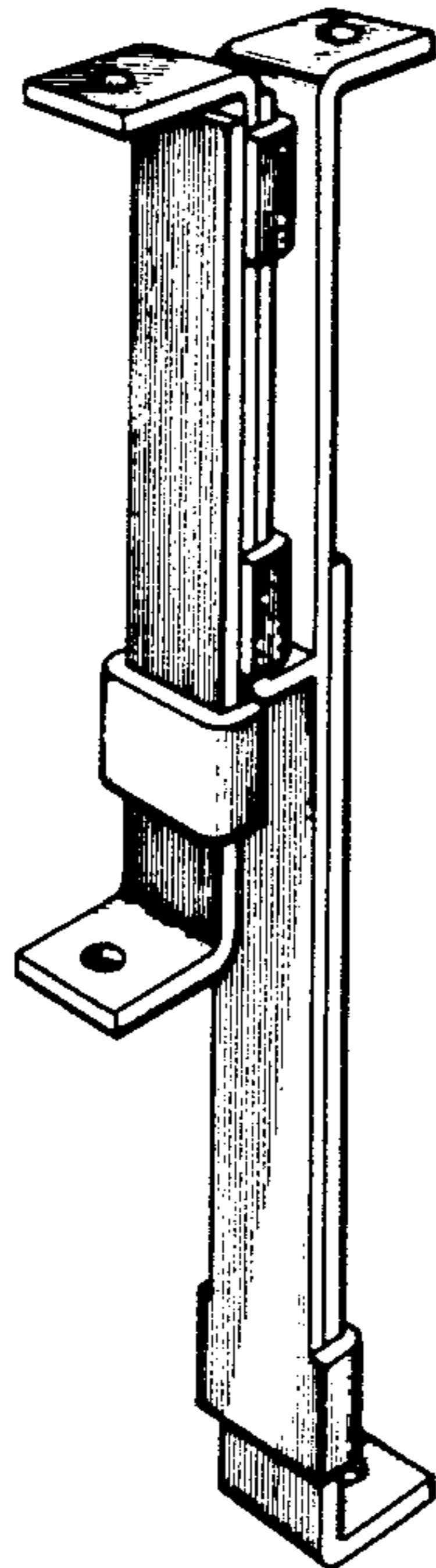
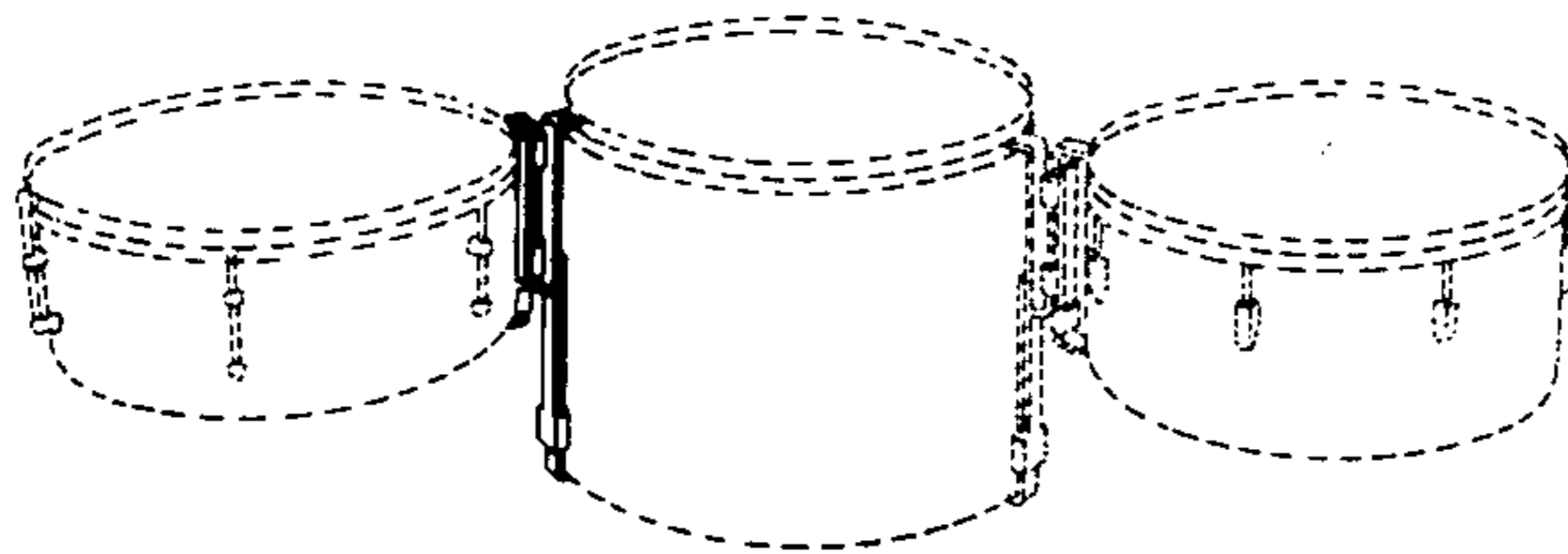


FIG. 1

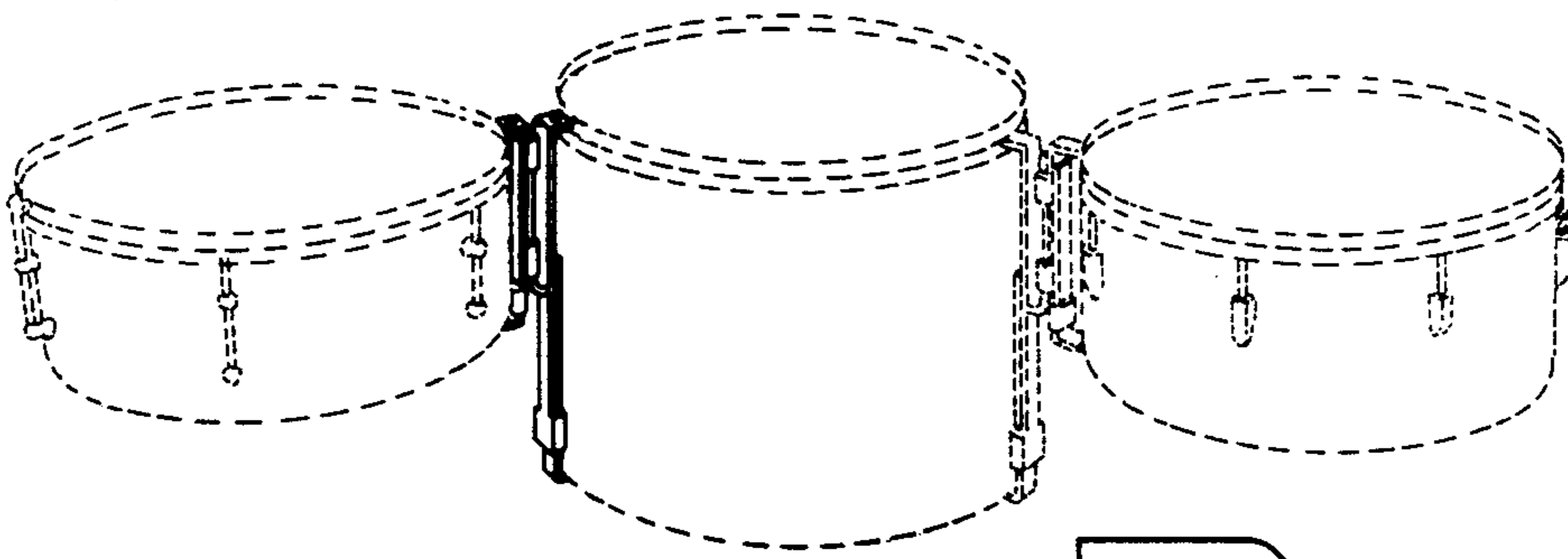


FIG. 2

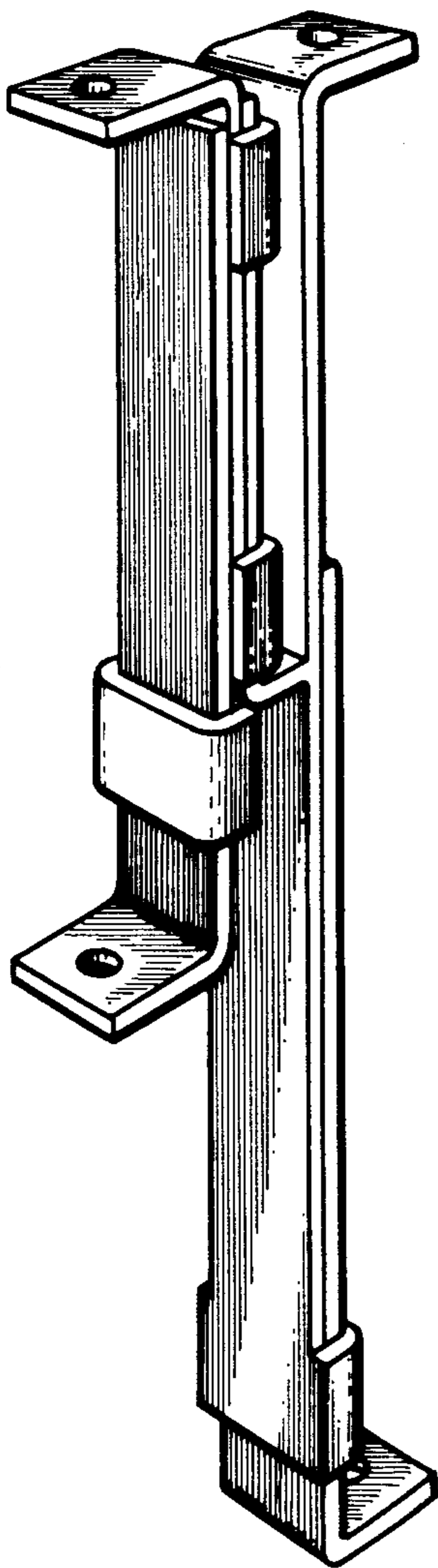


FIG. 3

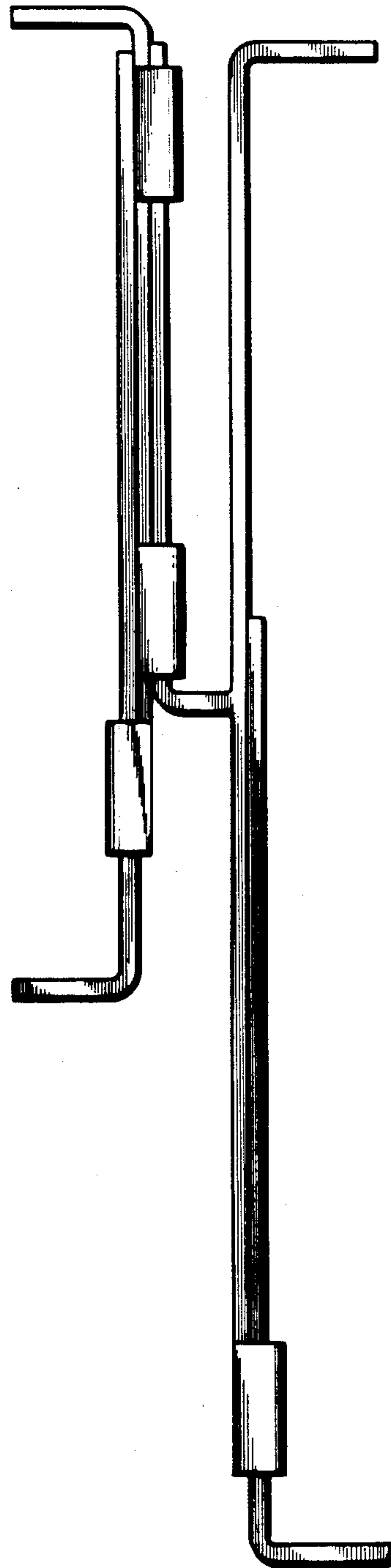


FIG. 4

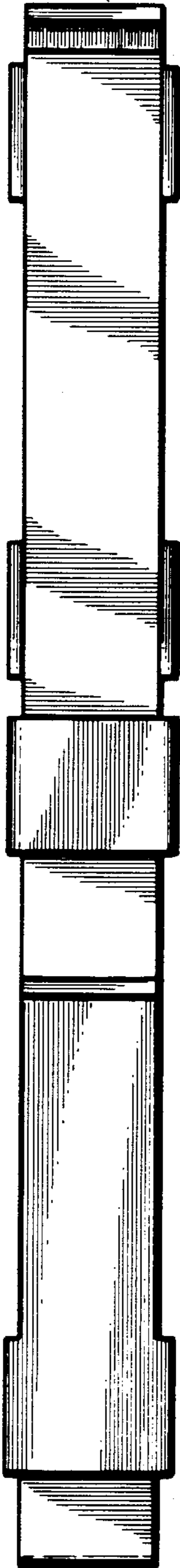


FIG. 5

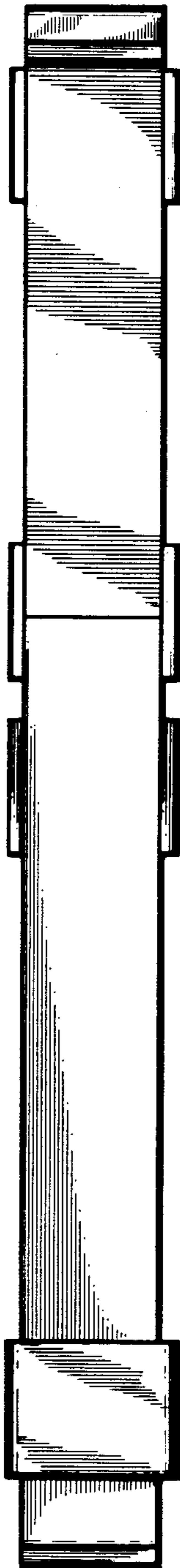


FIG. 6

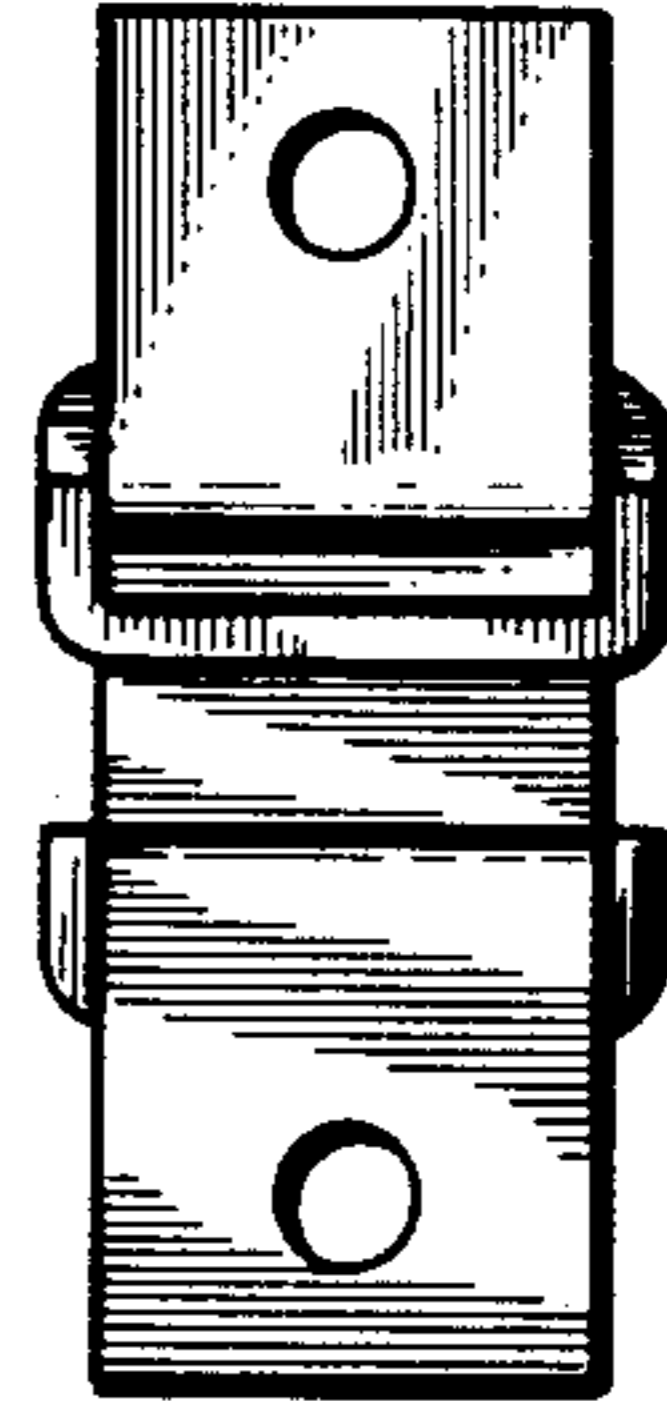


FIG. 7

