

[54] SEWING MACHINE

[75] Inventors: Cristian J. Felix, Flushing, N.Y.; Donald M. Genaro, Haworth, N.J.

[73] Assignee: The Singer Company

[\*\*] Term: 14 Years

[21] Appl. No.: 827,186

[22] Filed: Aug. 23, 1977

[51] Int. Cl. .... D15-06

[52] U.S. Cl. .... D15/69

[58] Field of Search .... D15/66-76, D15/78

[56] References Cited

U.S. PATENT DOCUMENTS

- D. 186,417 10/1959 Yamada ..... D15/69
- D. 223,059 3/1972 Genaro ..... D15/76

- D. 232,266 7/1974 Current ..... D15/69
- D. 247,496 3/1978 Genaro et al. .... D15/68 X
- 3,913,506 10/1975 Adams ..... D15/69

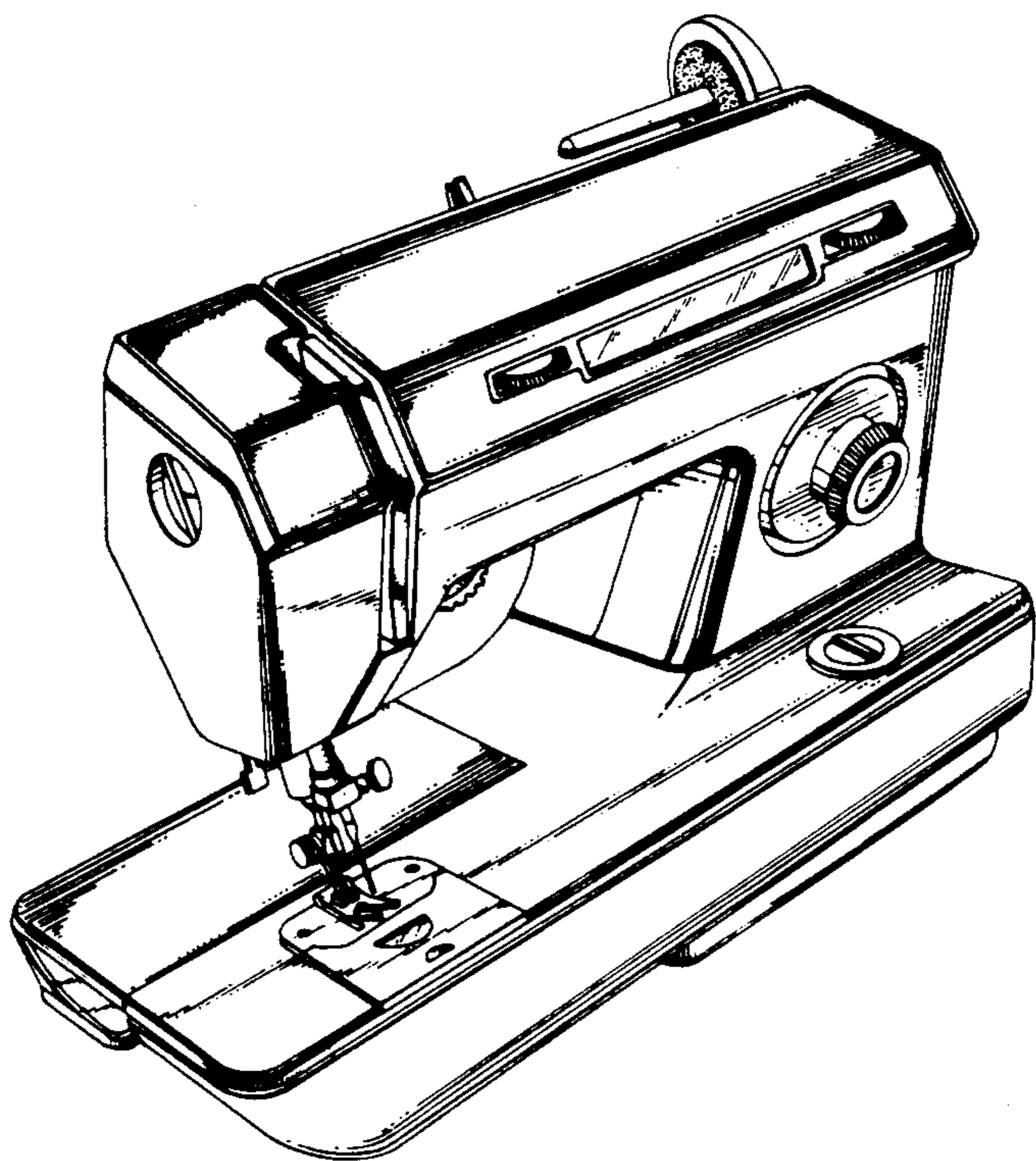
Primary Examiner—Joel Stearman  
Assistant Examiner—Jane E. Corrigan  
Attorney, Agent, or Firm—Robert E. Smith

[57] CLAIM

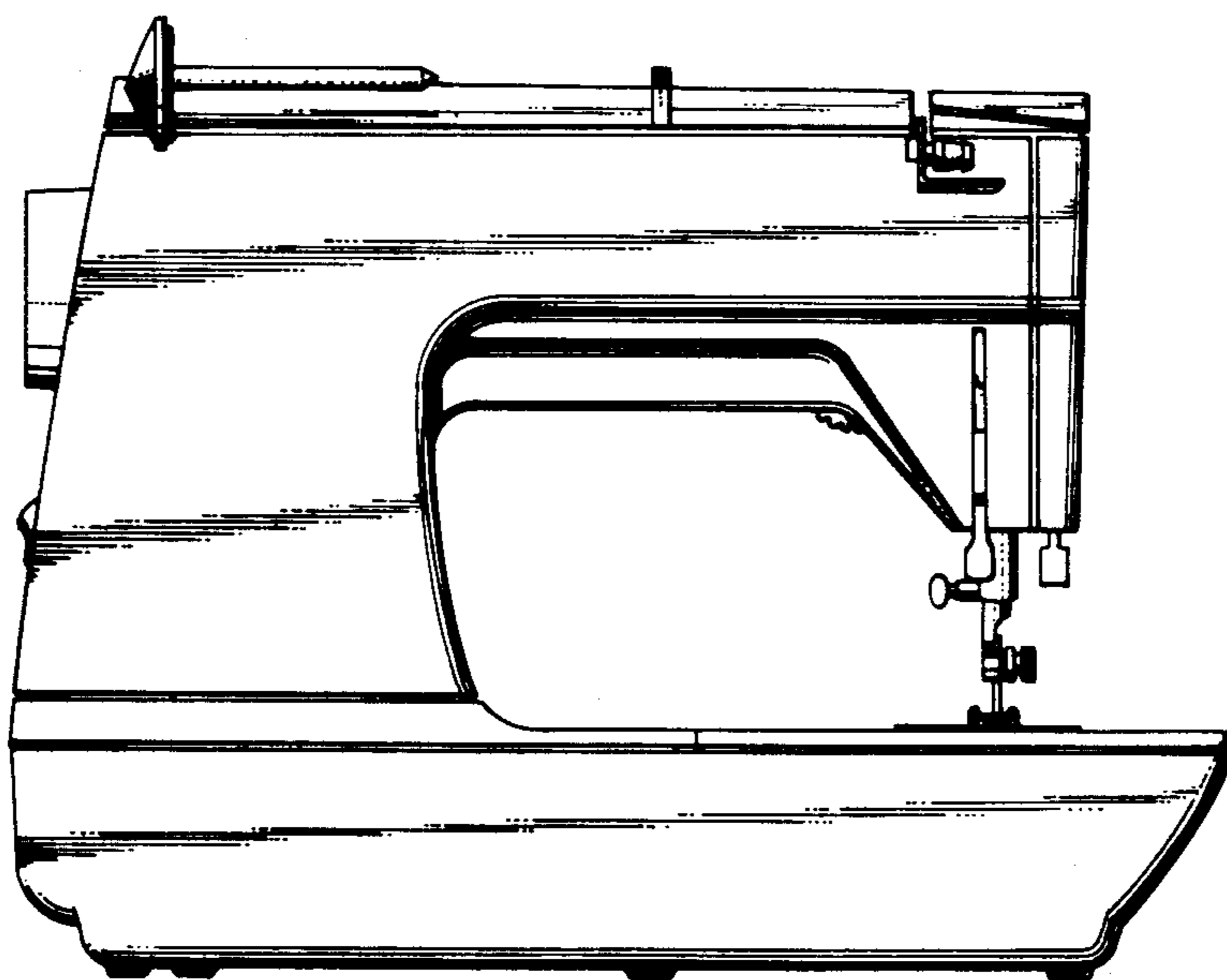
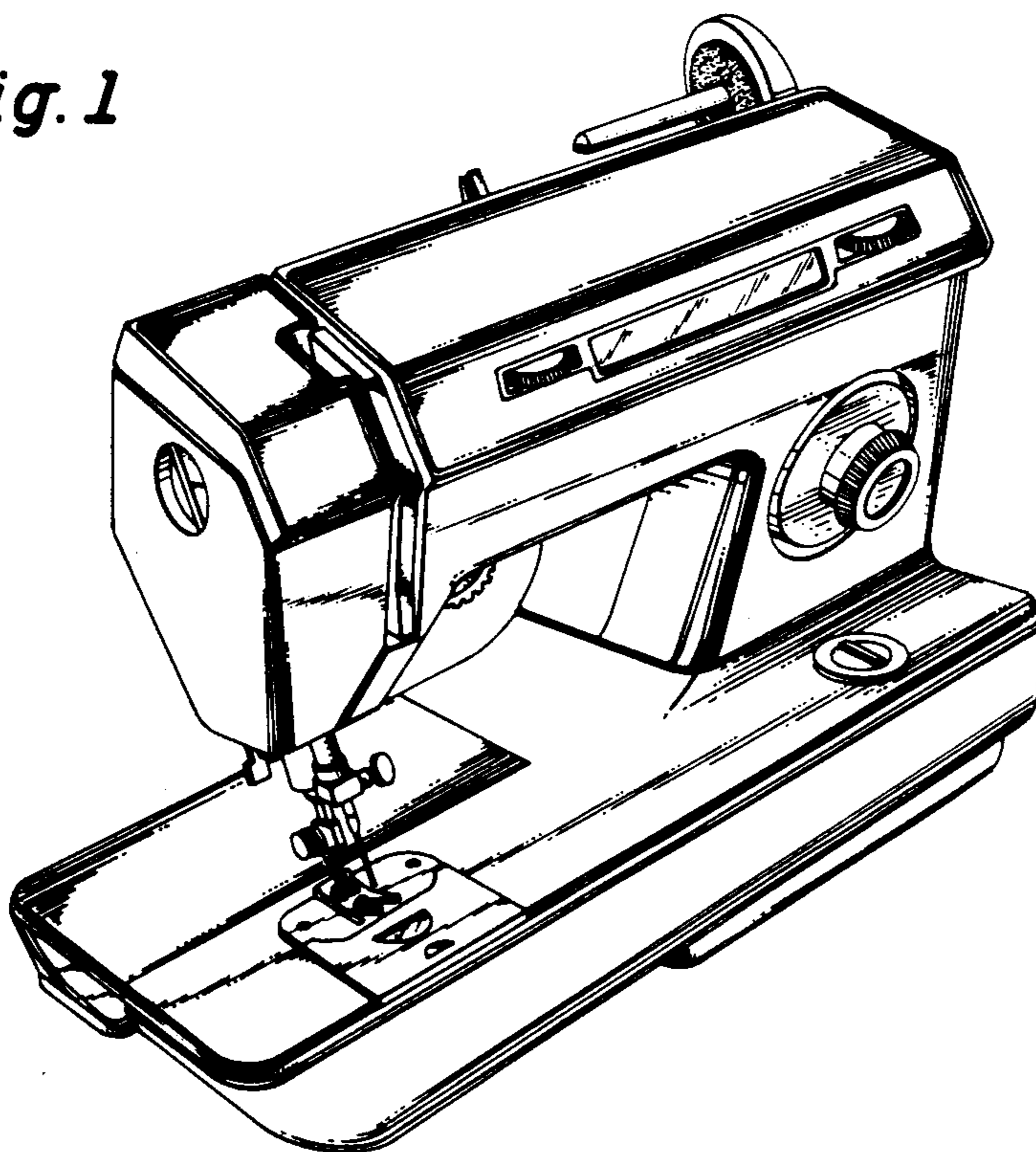
The ornamental design for a sewing machine, as shown and described.

DESCRIPTION

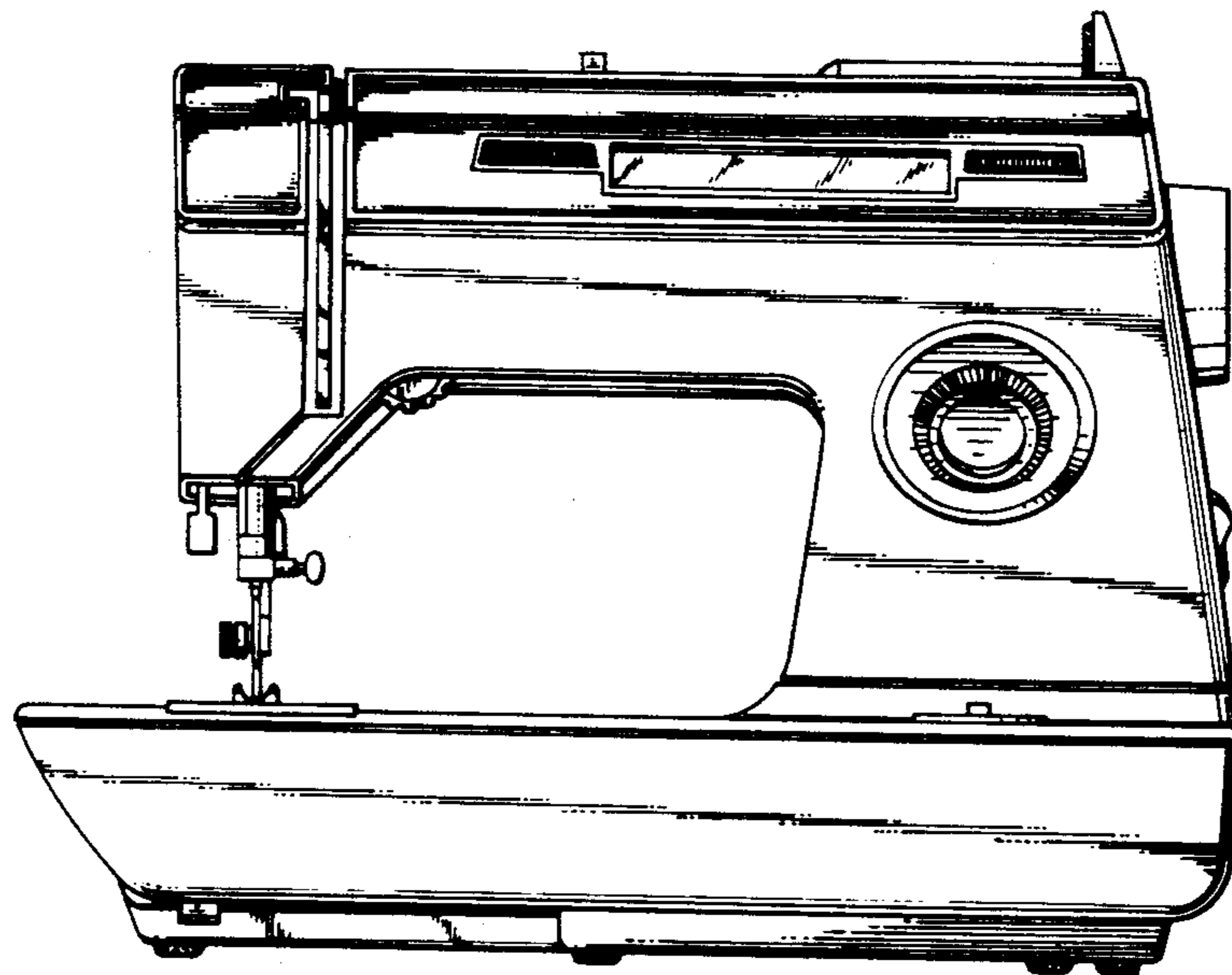
FIG. 1 is a front perspective view of a sewing machine showing my new design;  
FIG. 2 is a rear elevational view;  
FIG. 3 is a front elevational view;  
FIG. 4 is a bottom plan view;  
FIG. 5 is a top plan view;  
FIG. 6 is a left side elevational view; and  
FIG. 7 is a right side elevational view.



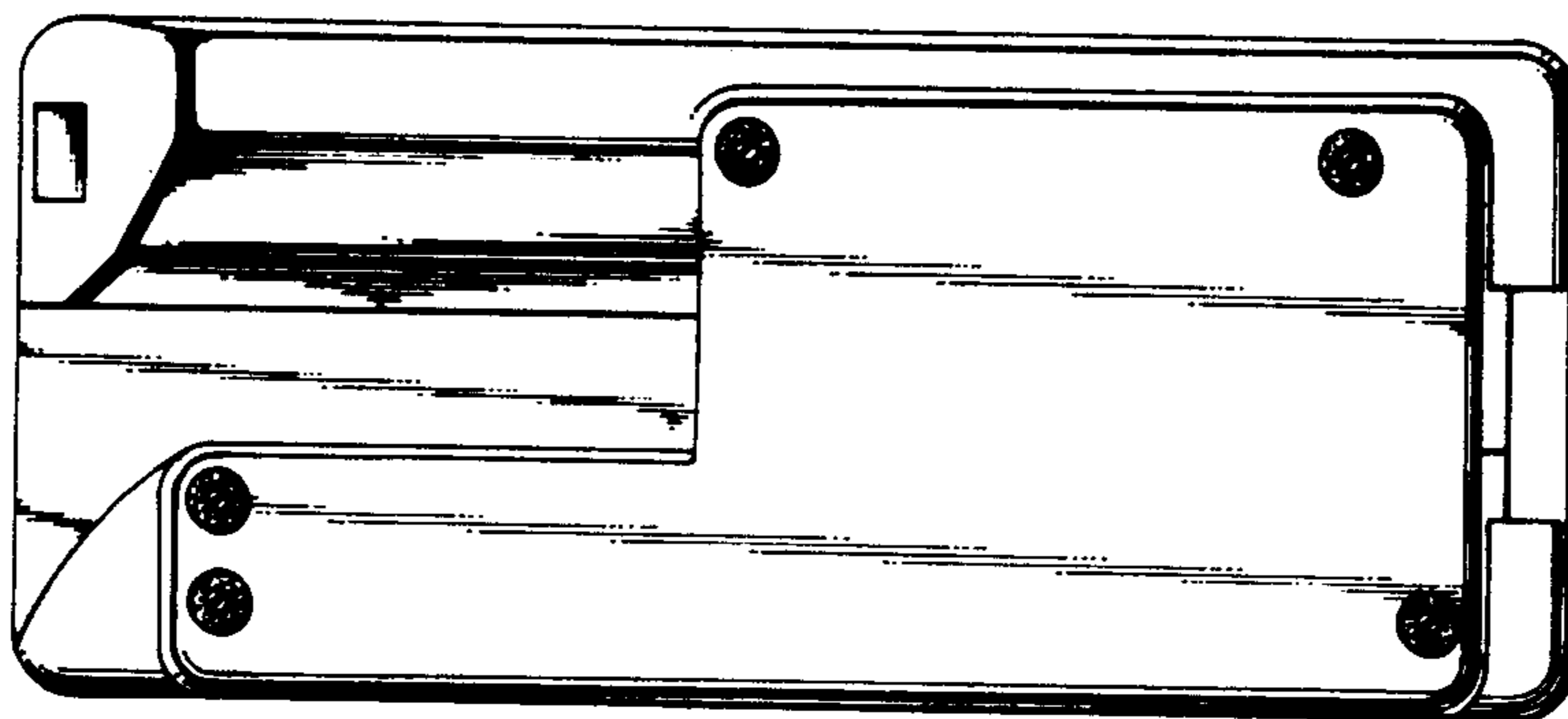
*Fig. 1*



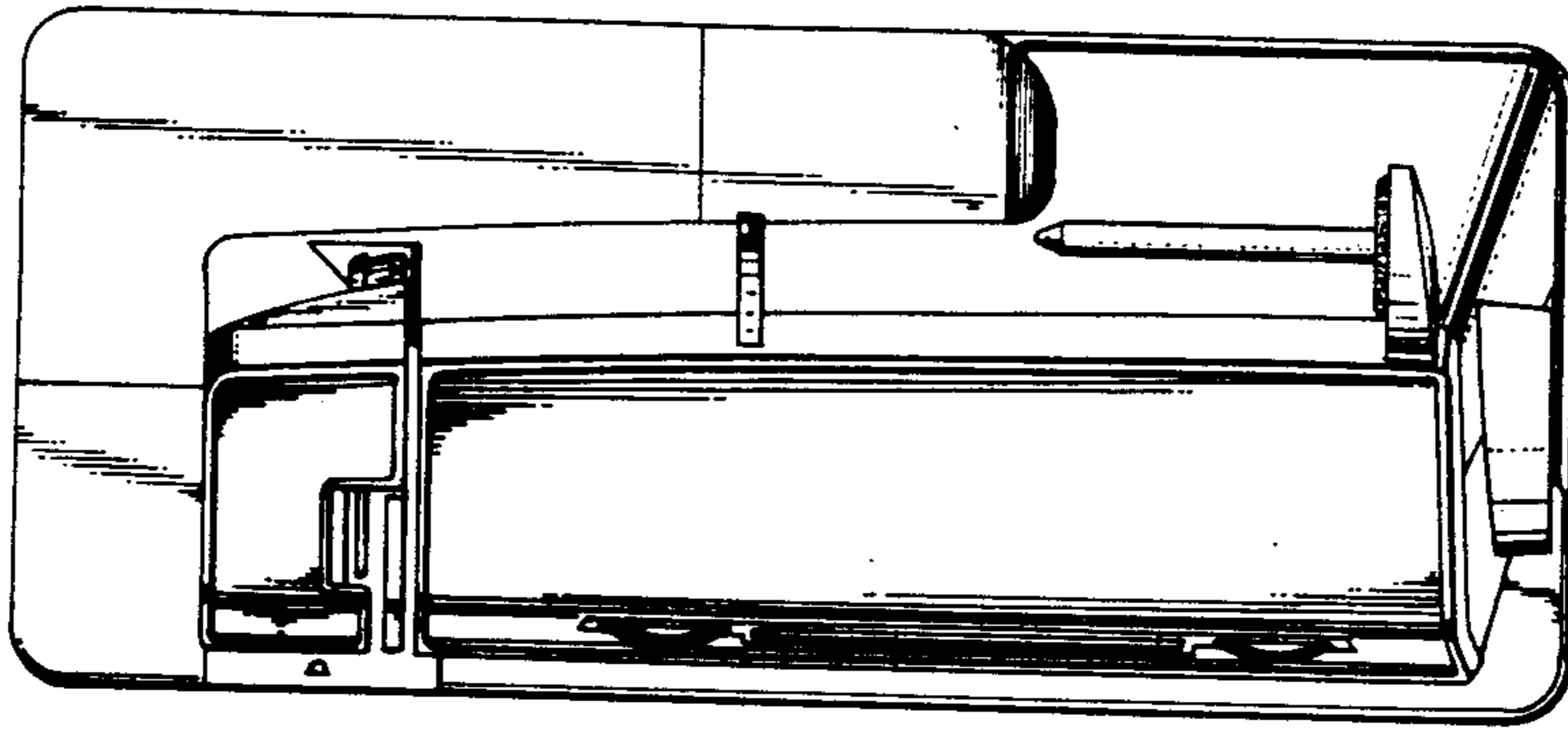
*Fig. 2*



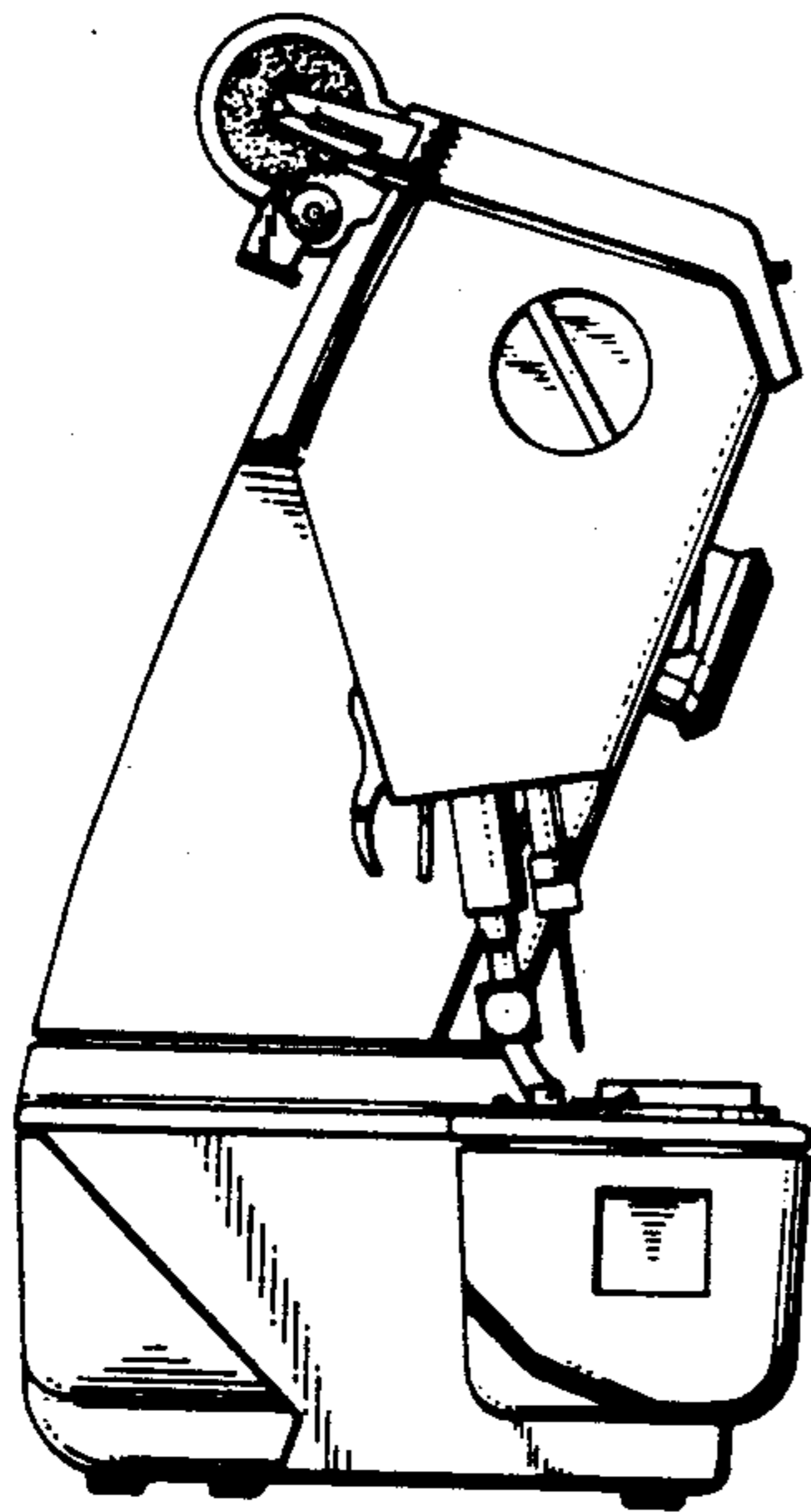
*Fig. 3*



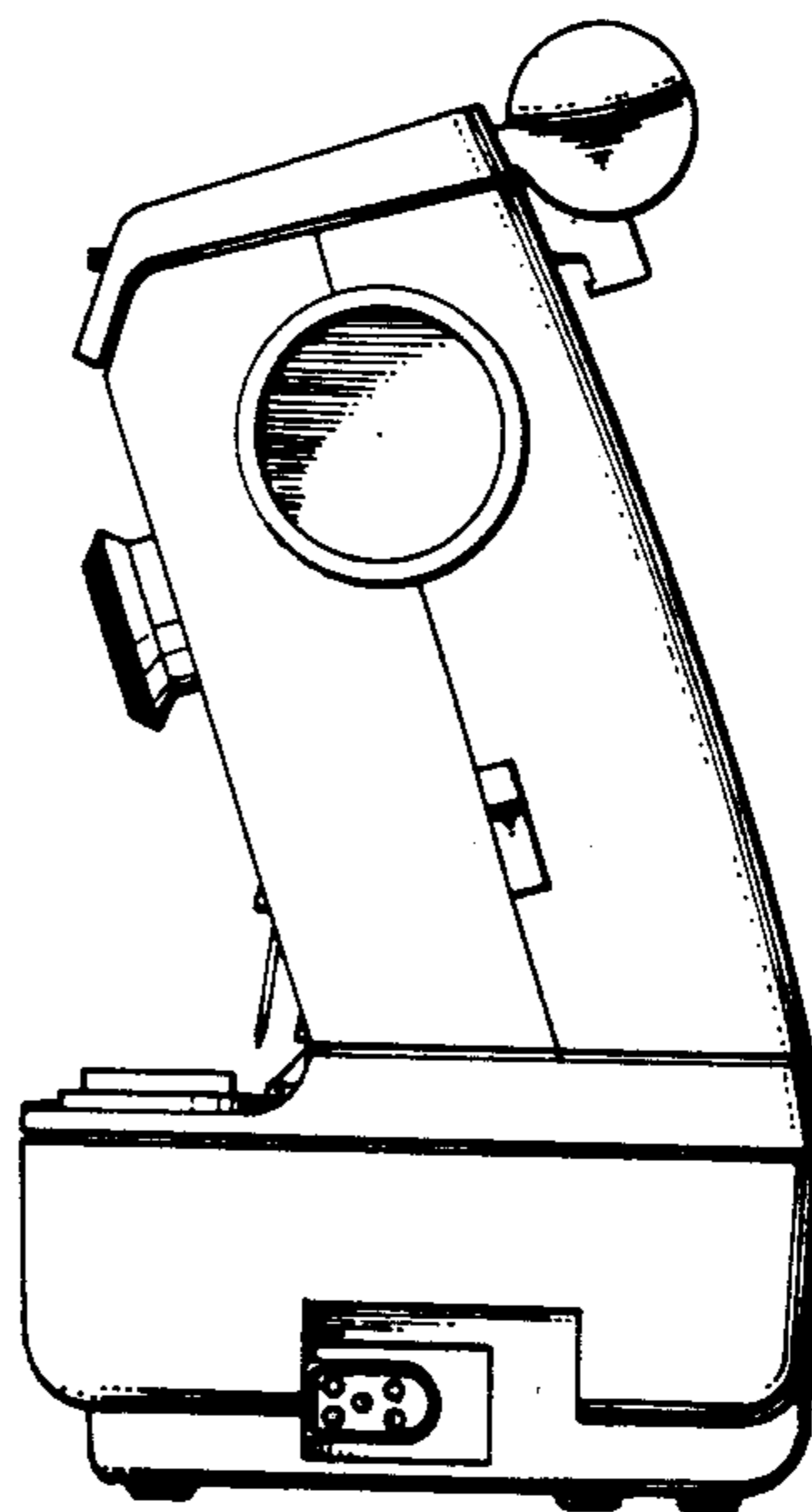
*Fig. 4*



*Fig. 5*



*Fig. 6*



*Fig. 7*