

[54] COMBINED AUGER AND TINE UNIT FOR A GARDEN TILLER

[75] Inventor: Gary L. Sheldon, Phillipsburg, Mo.

[73] Assignee: Garden Maid, Inc., Lebanon, Mo.

[**] Term: 14 Years

[21] Appl. No.: 873,384

[22] Filed: Jan. 30, 1978

[51] Int. Cl. D15-03

[52] U.S. Cl. D15/12

[58] Field of Search D15/11, 12, 28, 29, D15/21; 172/13, 15, 16, 21, 22, 25, 42, 43, 57, 58, 108, 119, 111, 116, 532, 766, 772; 175/412, 413

[56] References Cited

U.S. PATENT DOCUMENTS

4,121,668 10/1978 Miner 172/42
4,142,586 3/1979 Miner 172/42

FOREIGN PATENT DOCUMENTS

153122 5/1932 Switzerland 172/25

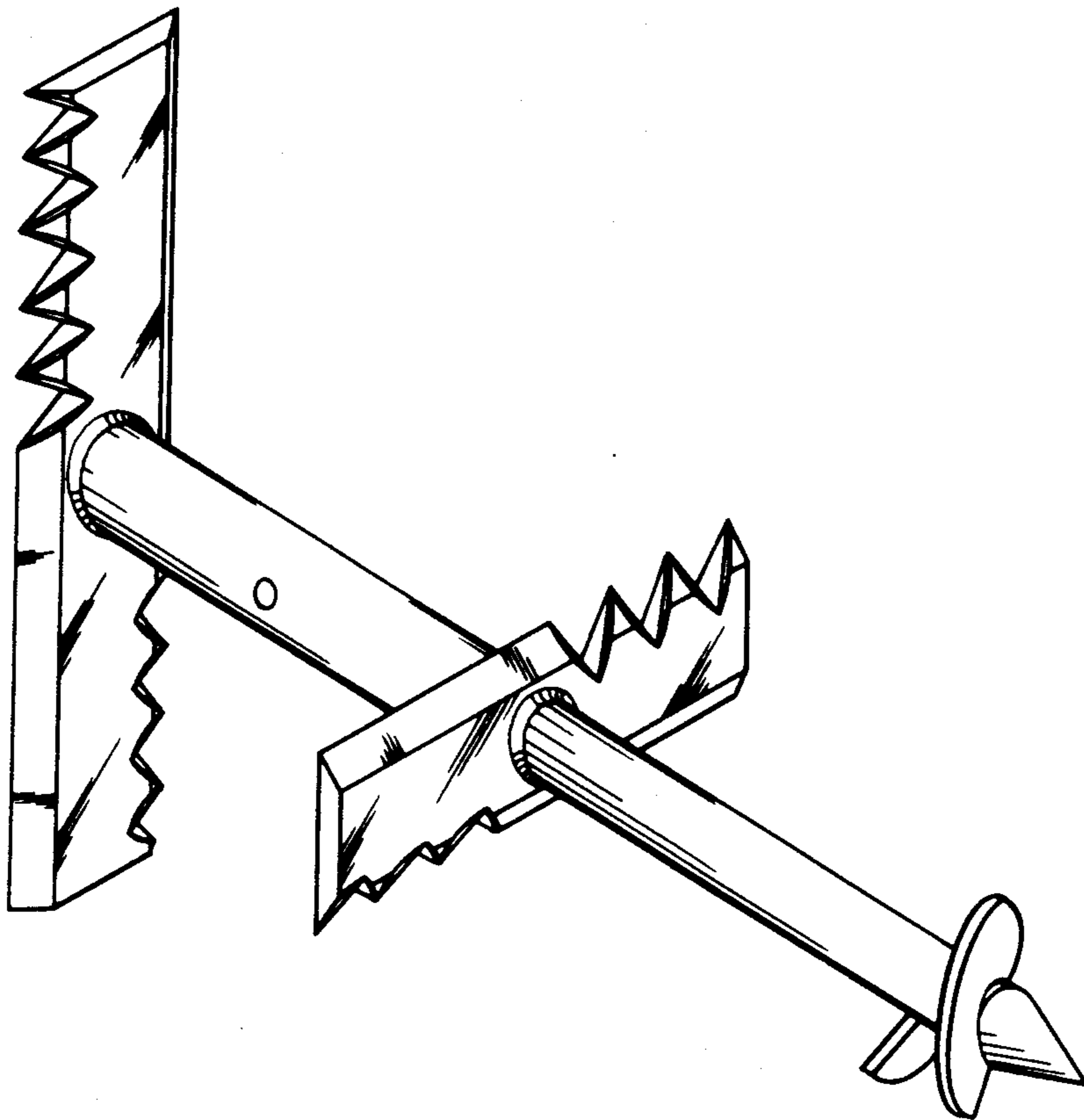
Primary Examiner—James M. Gandy
Attorney, Agent, or Firm—Lawrence H. Cohn

[57] CLAIM

The ornamental design for a combined auger and tine unit for a garden tiller, as shown and described.

DESCRIPTION

FIG. 1 is a perspective view of a combined auger and tine unit for a garden tiller showing my new design; FIG. 2 is a front end elevational view thereof; FIG. 3 is a side elevational view thereof; and FIG. 4 is a rear end elevational view thereof.



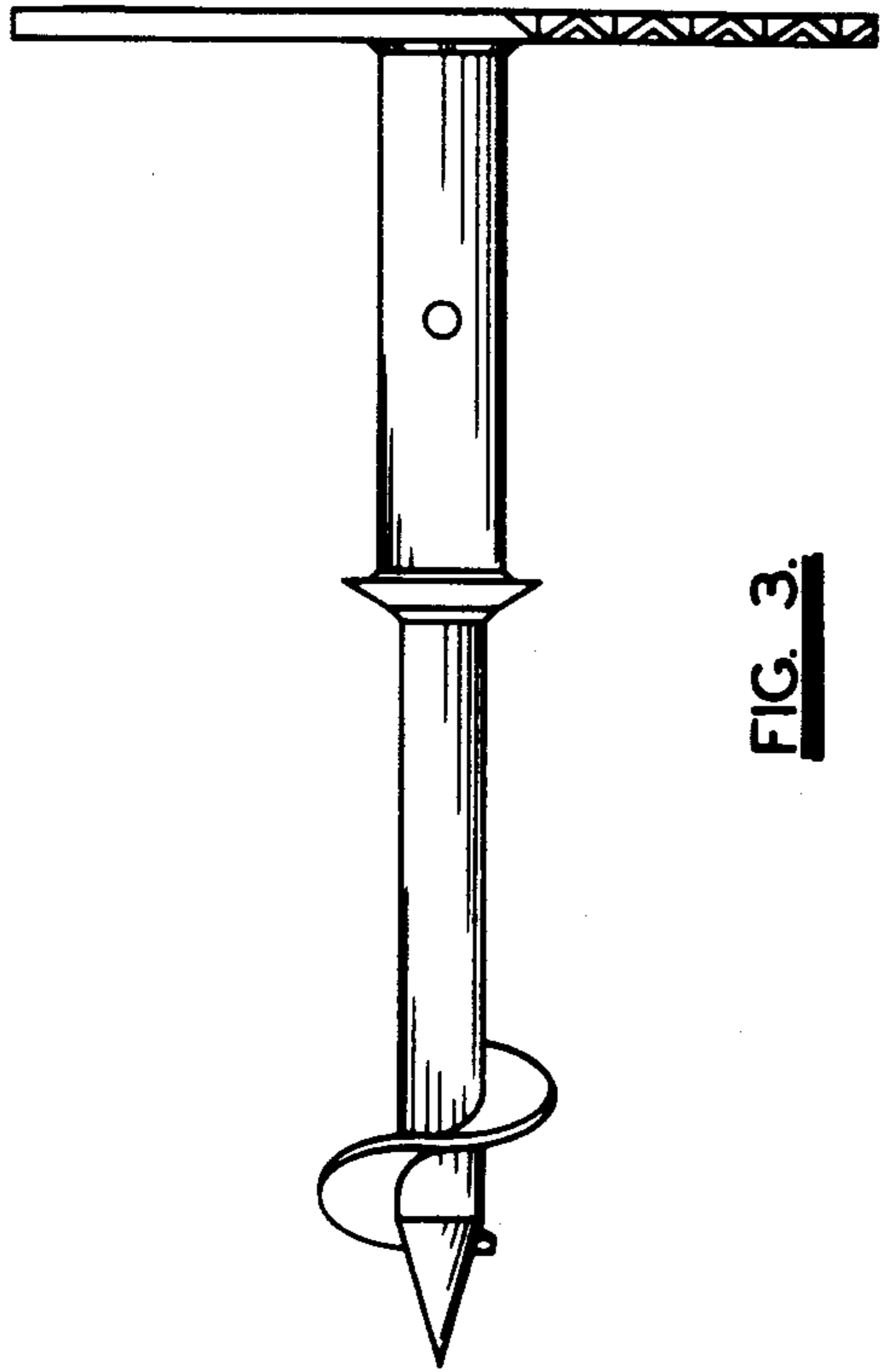


FIG. 1:

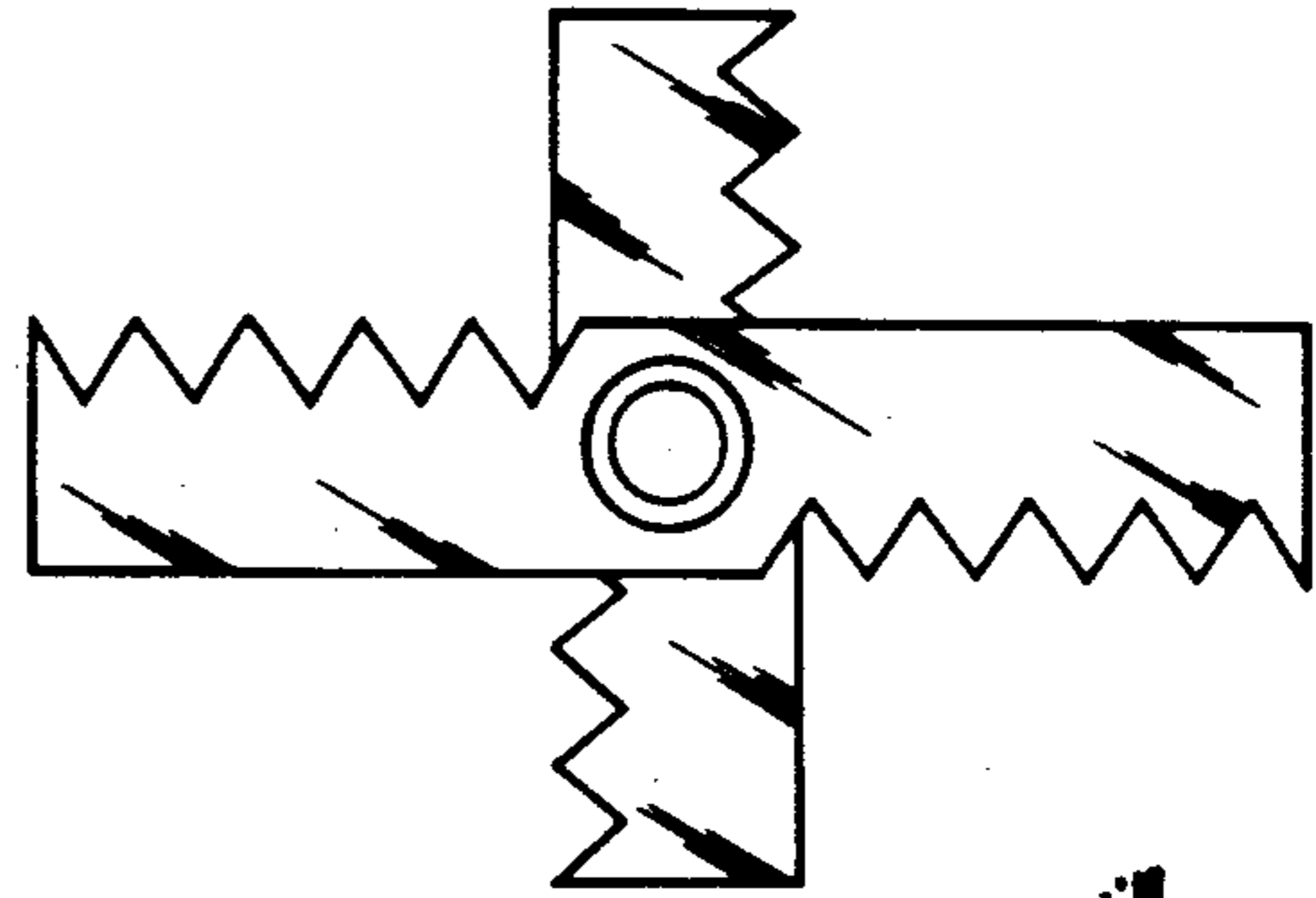


FIG. 2:

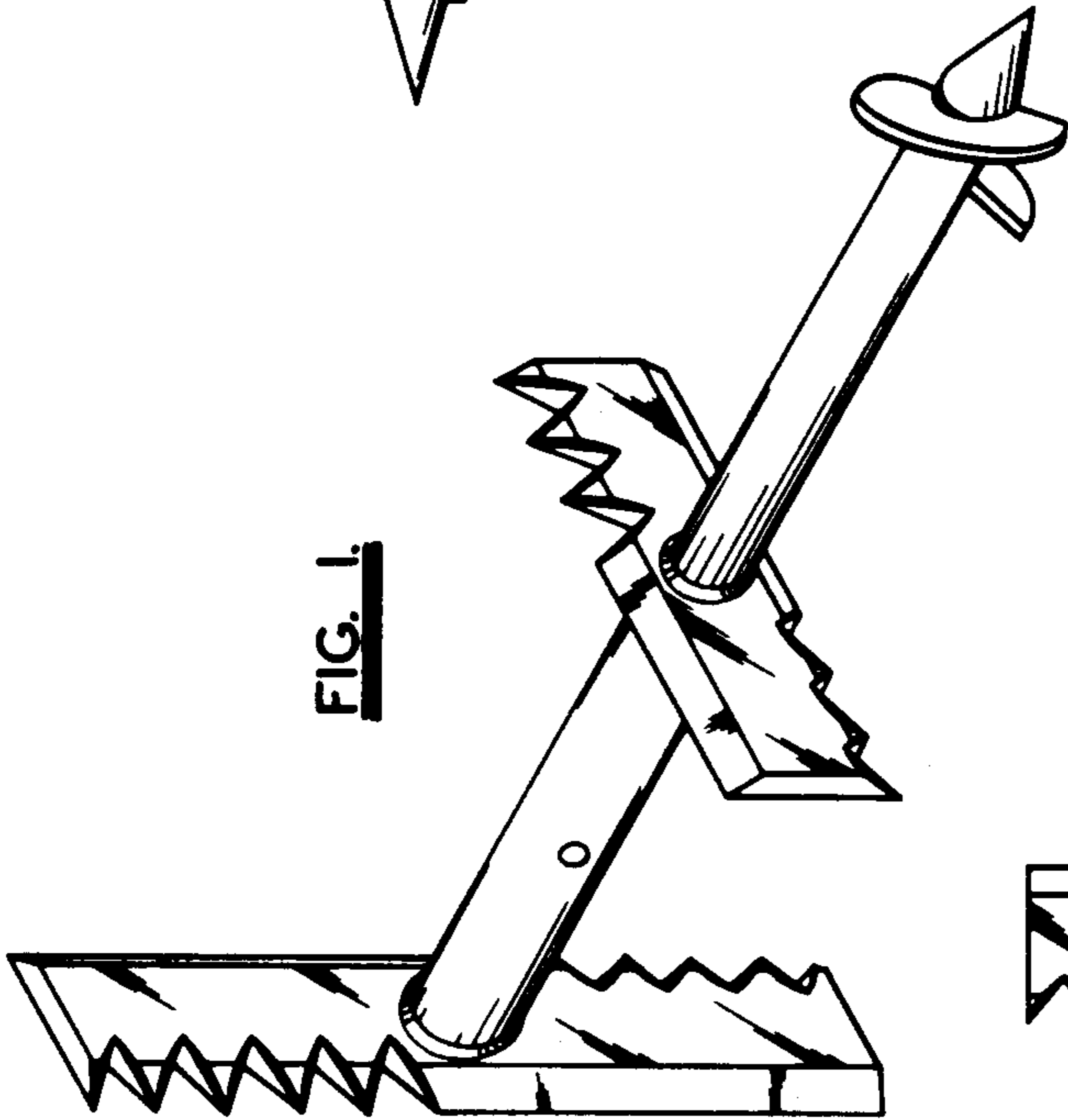


FIG. 3:

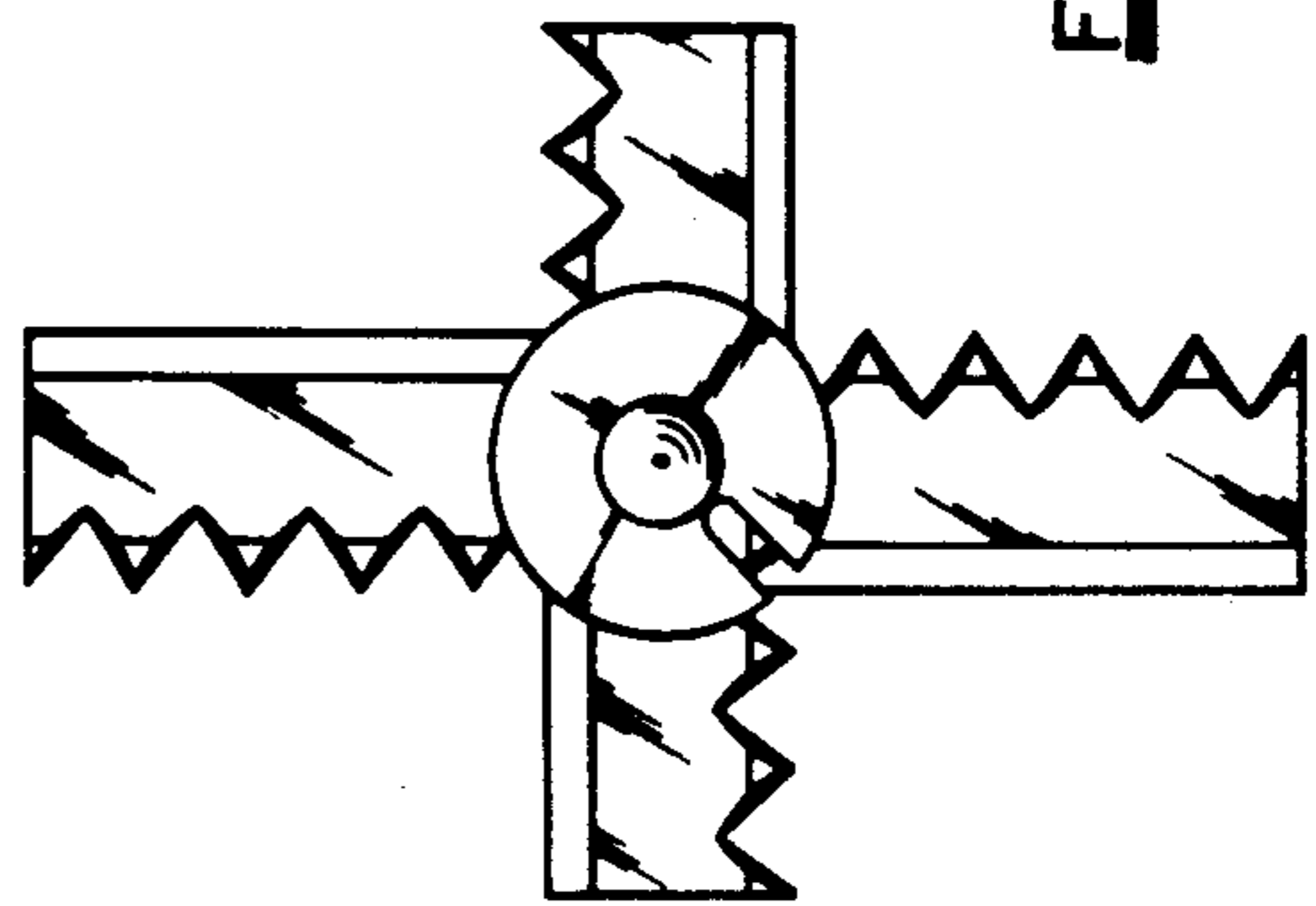


FIG. 4: