

[54] COMBINED AUGER AND TINE UNIT FOR A GARDEN TILLER

[75] Inventor: Gary L. Sheldon, Phillipsburg, Mo.

[73] Assignee: Garden Maid, Inc., Lebanon, Mo.

[\*\*] Term: 14 Years

[21] Appl. No.: 873,124

[22] Filed: Jan. 30, 1978

[51] Int. Cl. .... D15-03

[52] U.S. Cl. .... D15/12

[58] Field of Search ..... D15/11, 12, 28, 29, D15/21; 172/13, 15, 16, 21, 22, 25, 42, 43, 57, 58, 108, 111, 116, 119, 532, 766, 772; 175/412, 413

[56] References Cited

U.S. PATENT DOCUMENTS

4,121,668 10/1978 Miner ..... 172/42  
4,142,586 3/1979 Miner ..... 172/42

OTHER PUBLICATIONS

1959 Sears Spring & Summer Catalog, P198, Three Prong Tine on Tiller, top left side of page.

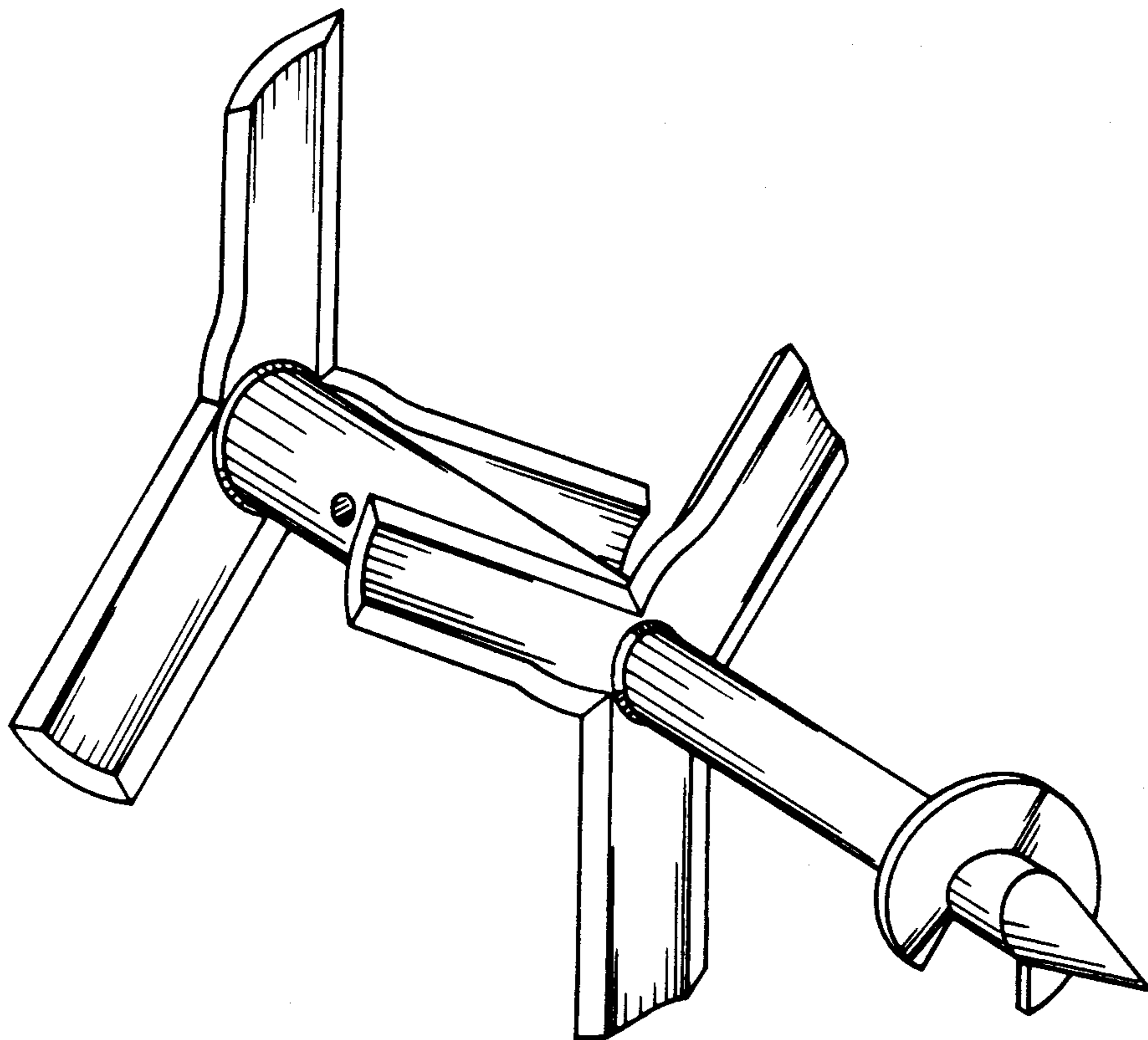
Primary Examiner—James M. Gandy  
Attorney, Agent, or Firm—Lawrence H. Cohn

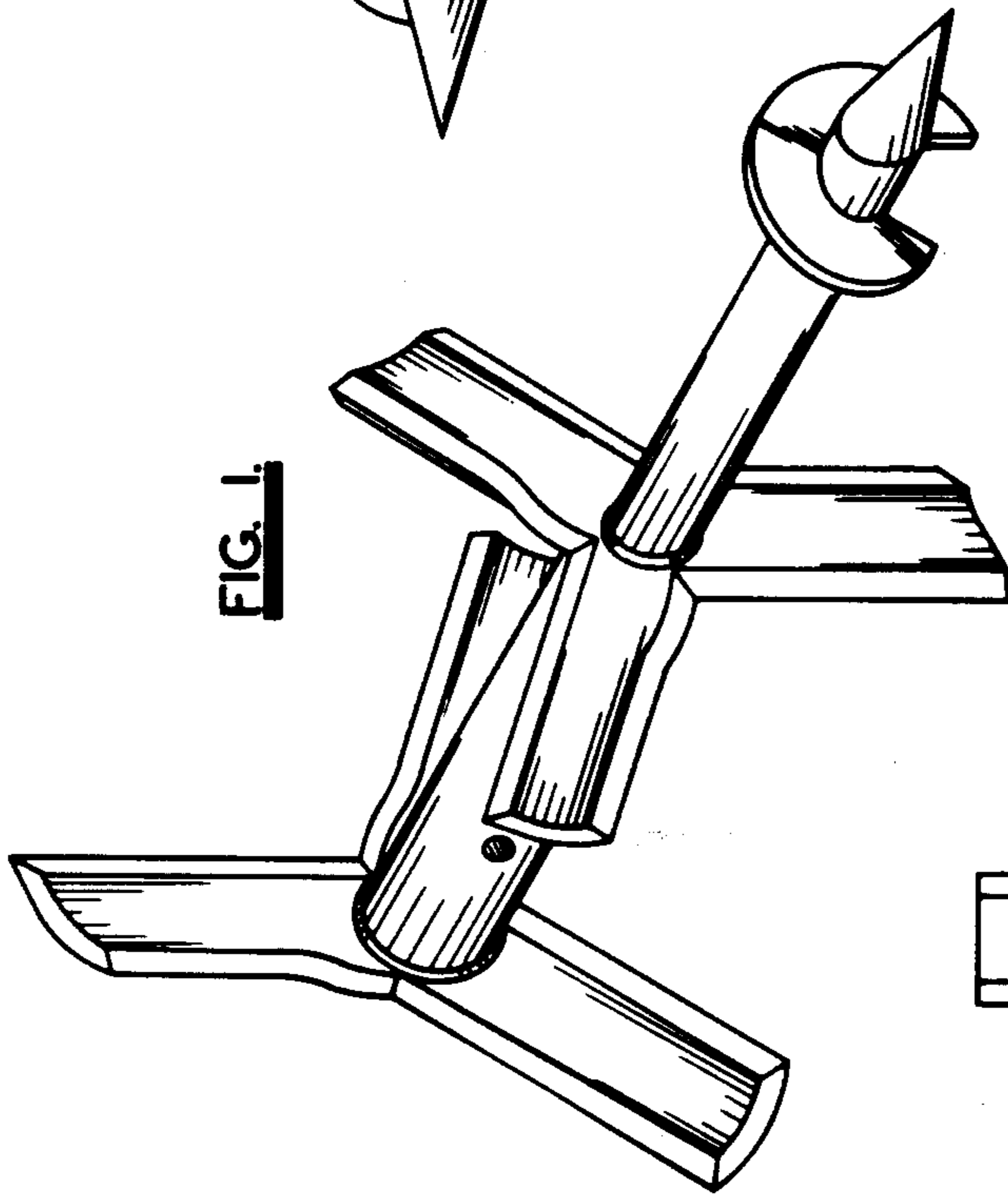
[57] CLAIM

The ornamental design for a combined auger and tine unit for a garden tiller, as shown and described.

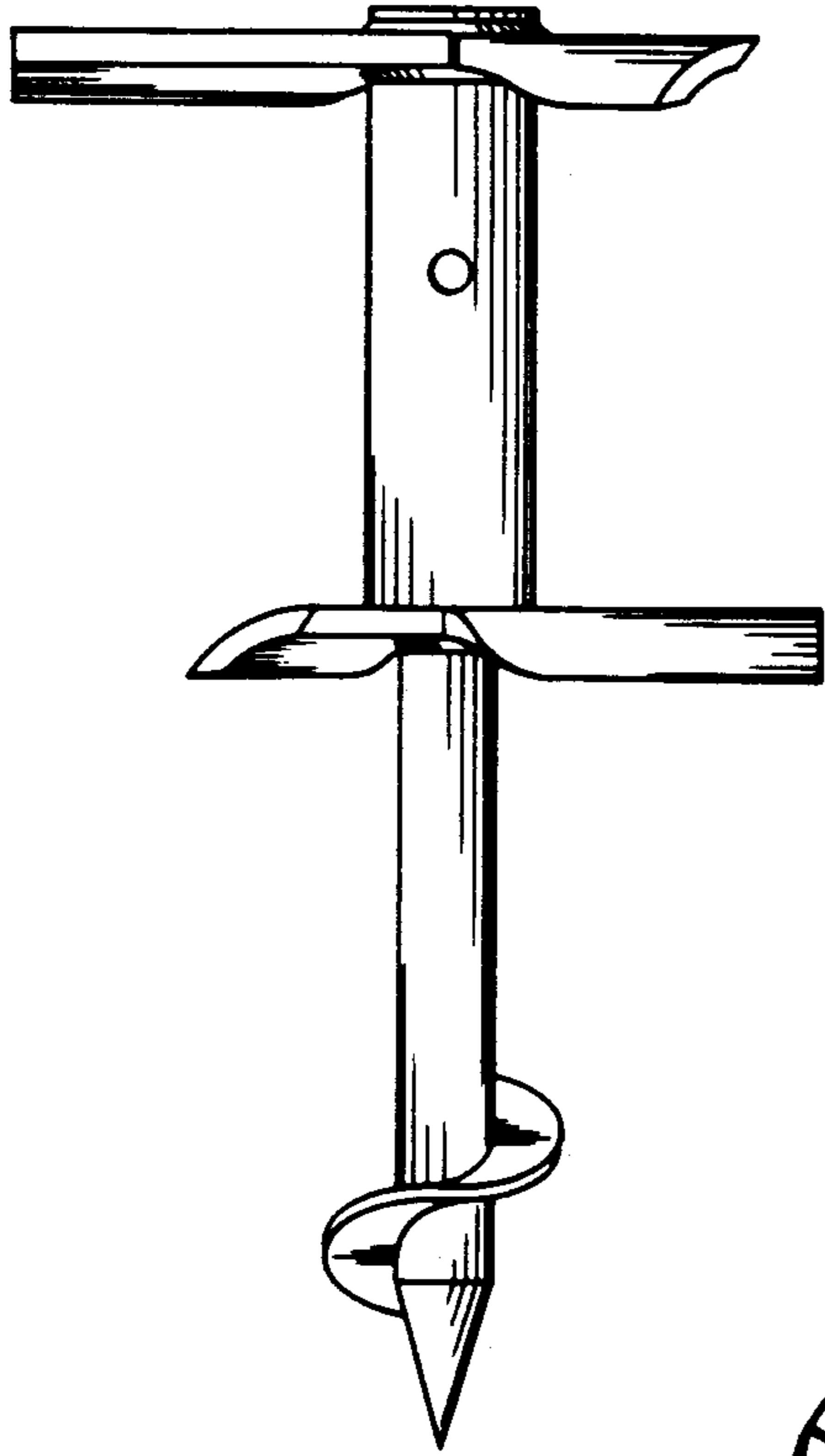
DESCRIPTION

FIG. 1 is a perspective view of a combined auger and tine unit for a garden tiller showing my new design; FIG. 2 is a front end elevational view thereof; FIG. 3 is a side elevational view thereof; and FIG. 4 is a rear end elevational view thereof.

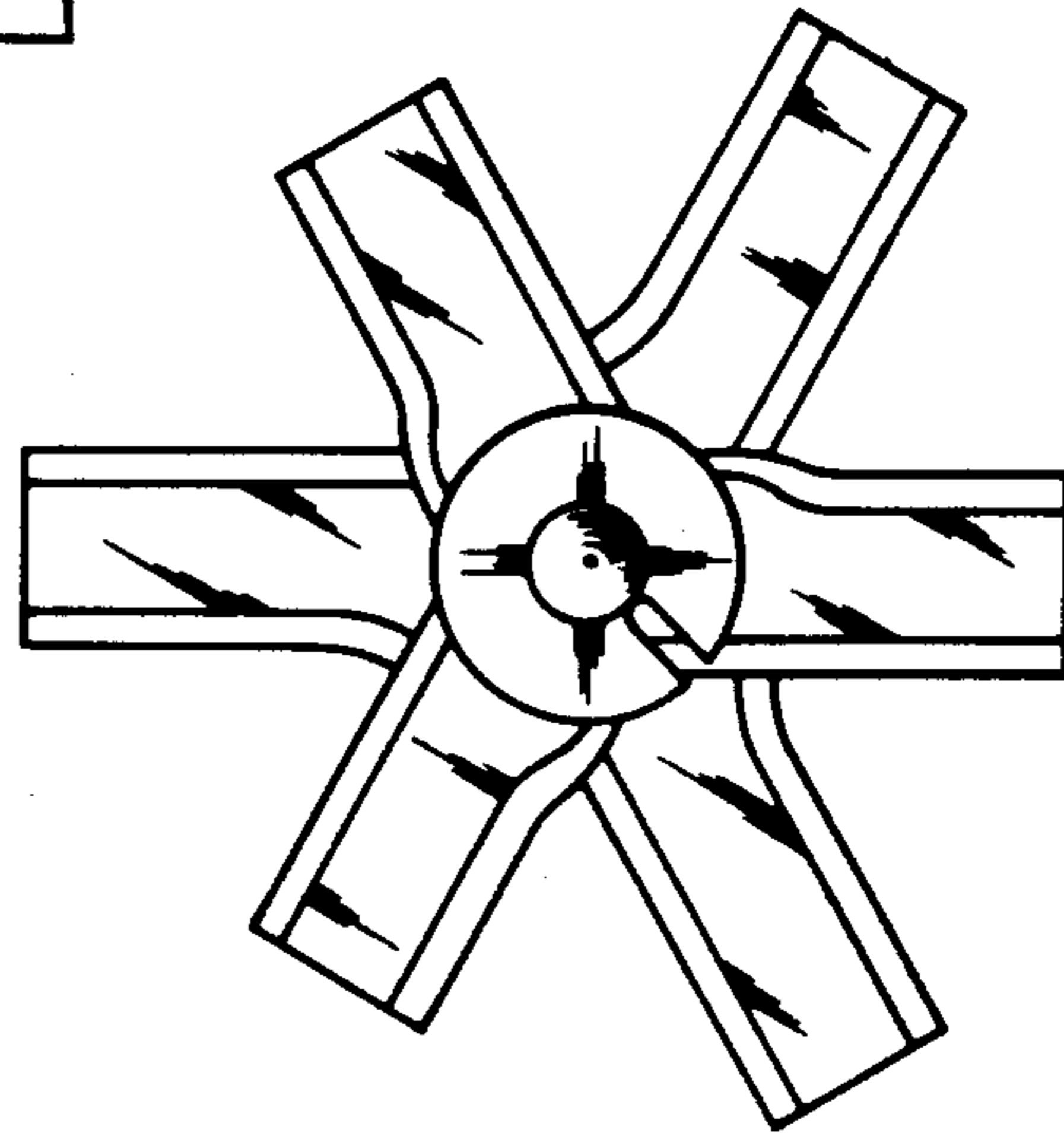




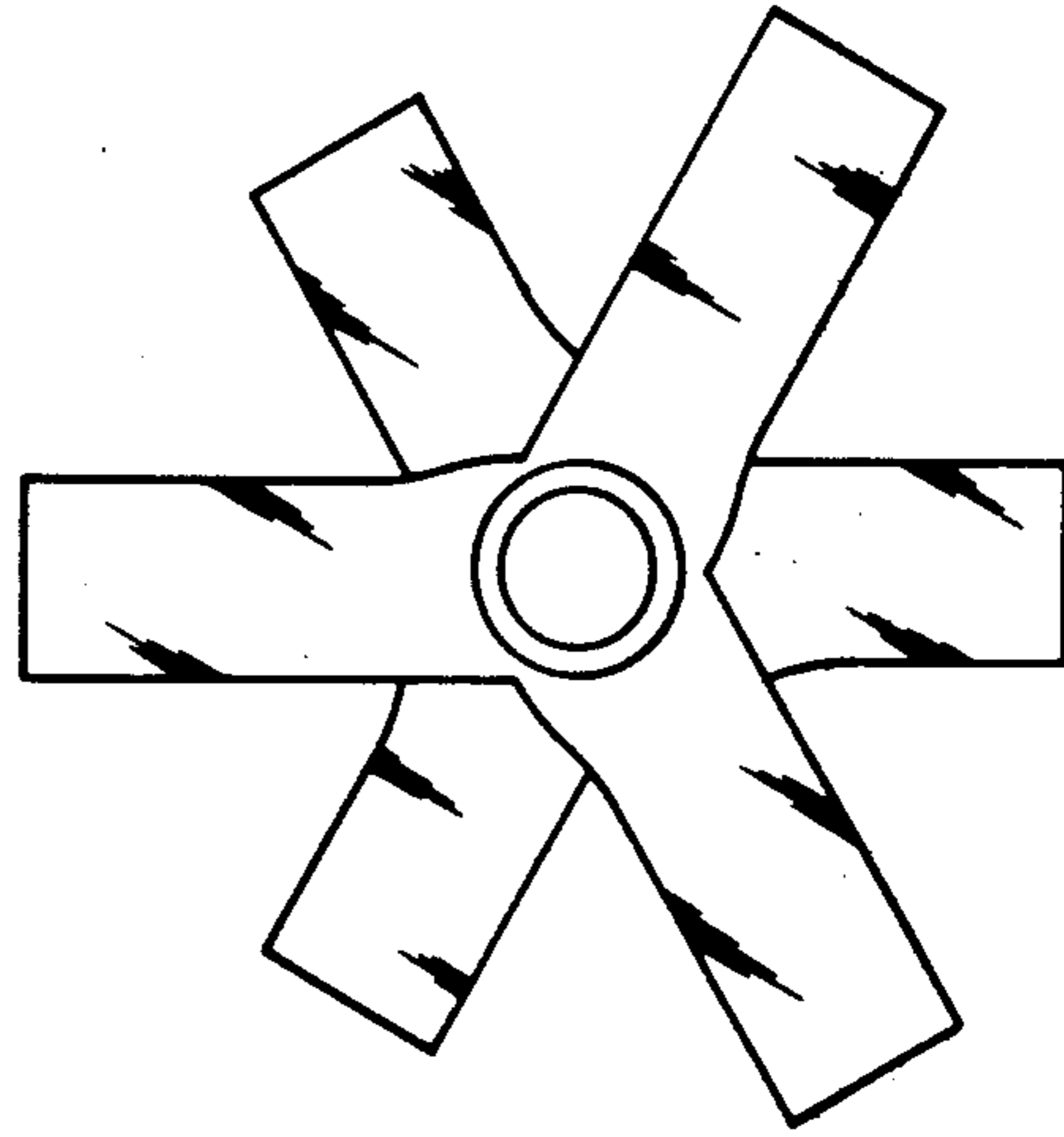
**FIG. 1.**



**FIG. 3.**



**FIG. 2.**



**FIG. 4.**