

[54] PLOTTING INSTRUMENT

[76] Inventor: Christopher M. Powell, 6, Elizabeth St., Ryde, New South Wales 2112, Australia

[\*\*] Term: 14 Years

[21] Appl. No.: 811,001

[22] Filed: Jun. 28, 1977

[30] Foreign Application Priority Data

Feb. 3, 1977 [AU] Australia ..... 71120

[51] Int. Cl. .... D10-04

[52] U.S. Cl. .... D10/61; D10/65

[58] Field of Search ..... D10/61, 65, 67, 74, D10/46, 70; D64/11 B; 35/74; 33/1 C, 1 H, 1 SA, 1 SB, 1 SC, 1 SD; 235/61 NV

[56]

References Cited

U.S. PATENT DOCUMENTS

3,448,920	6/1969	Hall .....	235/61 NV
3,535,790	10/1970	Gray .....	235/61 NV X
3,540,127	11/1970	Kane .....	235/61 NV X
3,646,681	3/1972	Koenig .....	33/1 SD
3,724,079	4/1973	Jasperson .....	33/1 SD

Primary Examiner—Nelson C. Holtje

Attorney, Agent, or Firm—Leonard J. Robbins

[57]

CLAIM

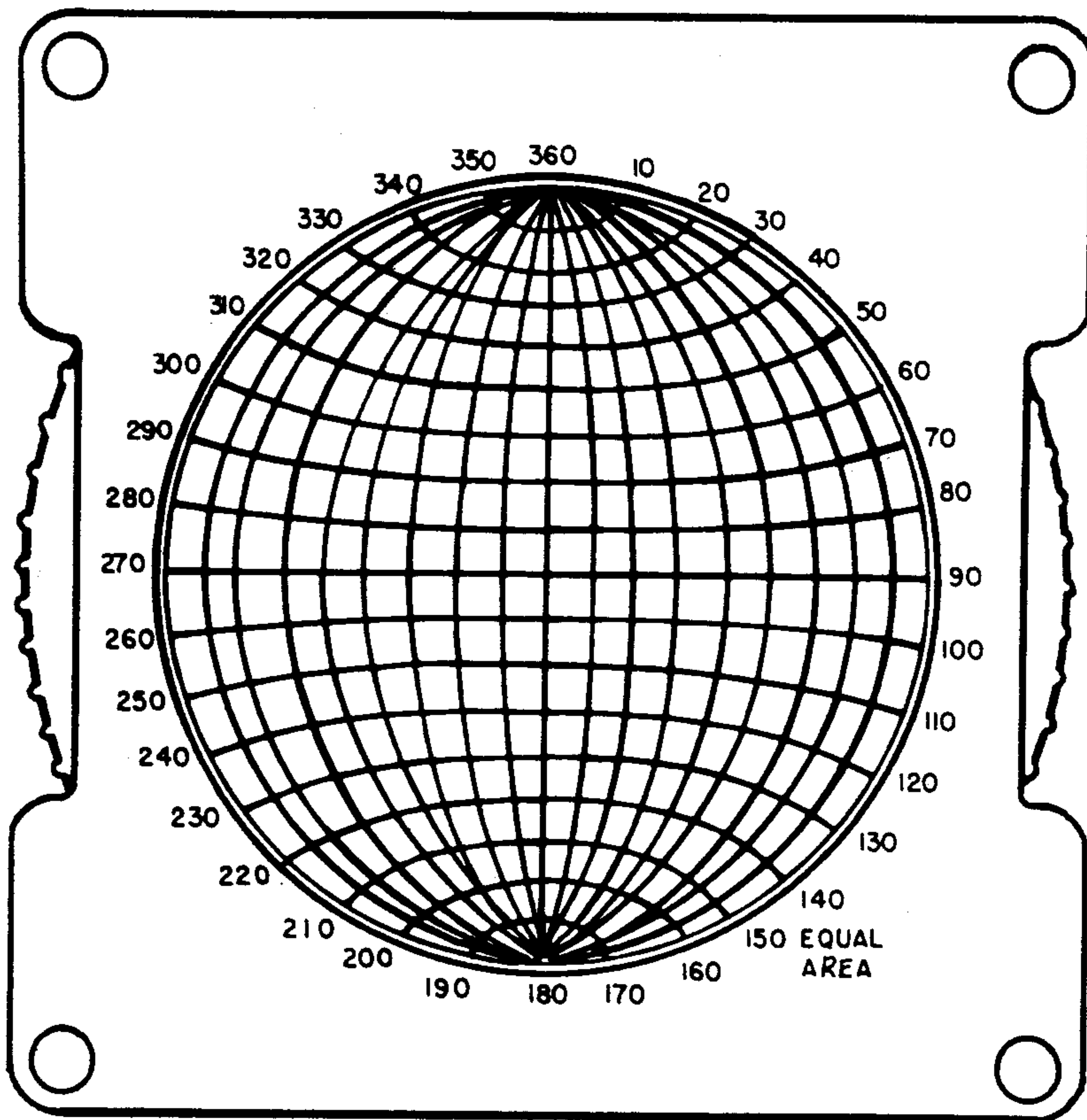
The ornamental design for a plotting instrument, substantially as shown and described.

DESCRIPTION

FIG. 1 is a top plan view of a plotting instrument showing my new design;

FIG. 2 is a top left front perspective view thereof;

FIG. 3 is a bottom right rear perspective view thereof.



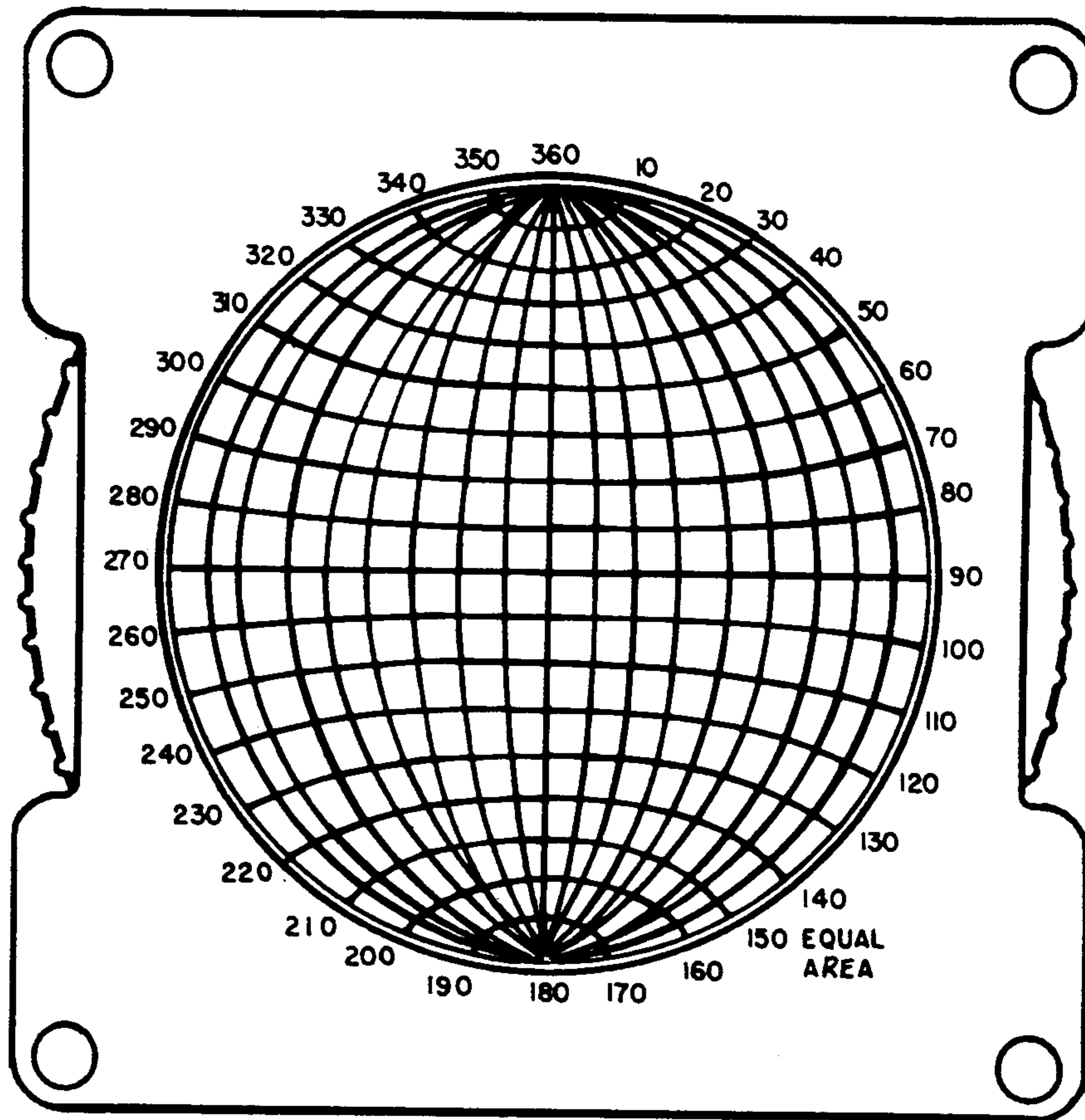


FIG. I

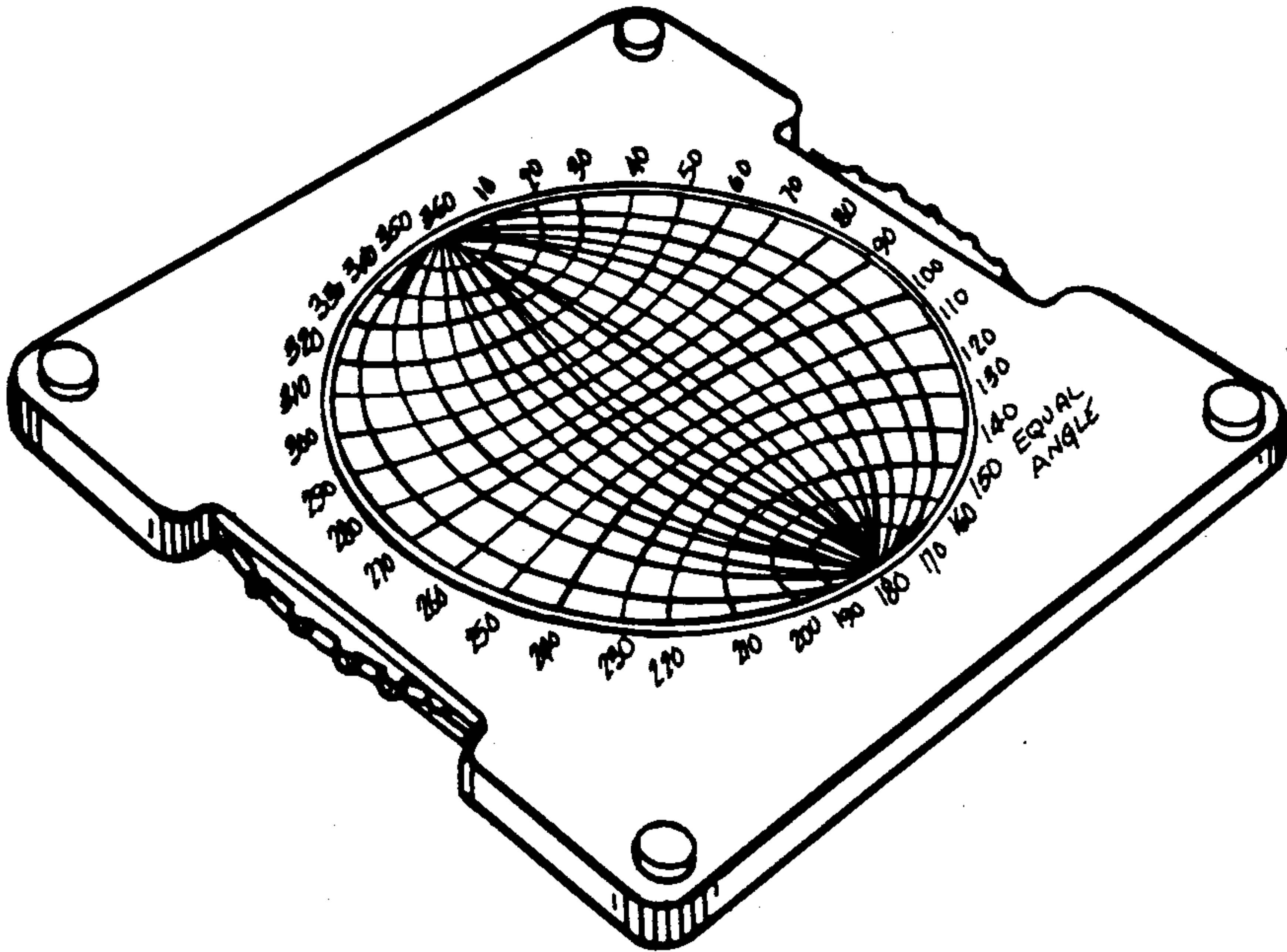


FIG. 2

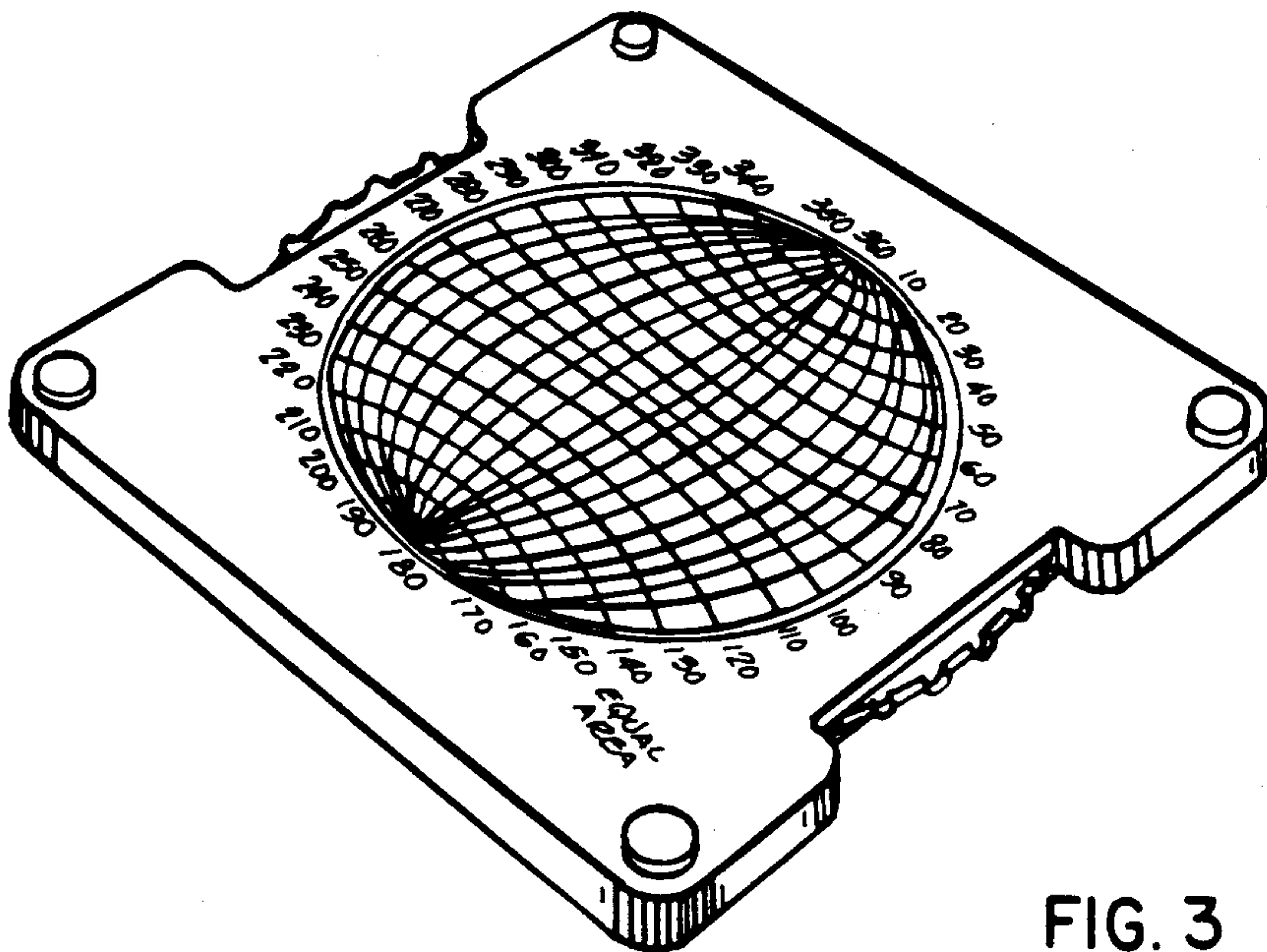


FIG. 3