

[54] SAFETY RAIL FOR SLIDING PANELS  
 [76] Inventor: James L. Lang, Rte, Box 3316, Selah, Wash. 98942  
 [\*\*] Term: 14 Years  
 [21] Appl. No.: 695,866  
 [22] Filed: Jun. 14, 1976  
 [51] Int. Cl. .... D8-07  
 [52] U.S. Cl. .... D8/331  
 [58] Field of Search ..... D8/339, 341, 342, 330, D8/400, 315, 331; 292/259, 262, 275, 266; 49/449-451

[56] **References Cited**  
**U.S. PATENT DOCUMENTS**  
 1,581,185 4/1926 Ellis ..... 292/262  
 3,471,189 10/1969 Ness ..... 292/266

3,752,518 8/1973 Cannell ..... 292/259  
 3,797,005 3/1974 Schwarz ..... 292/262

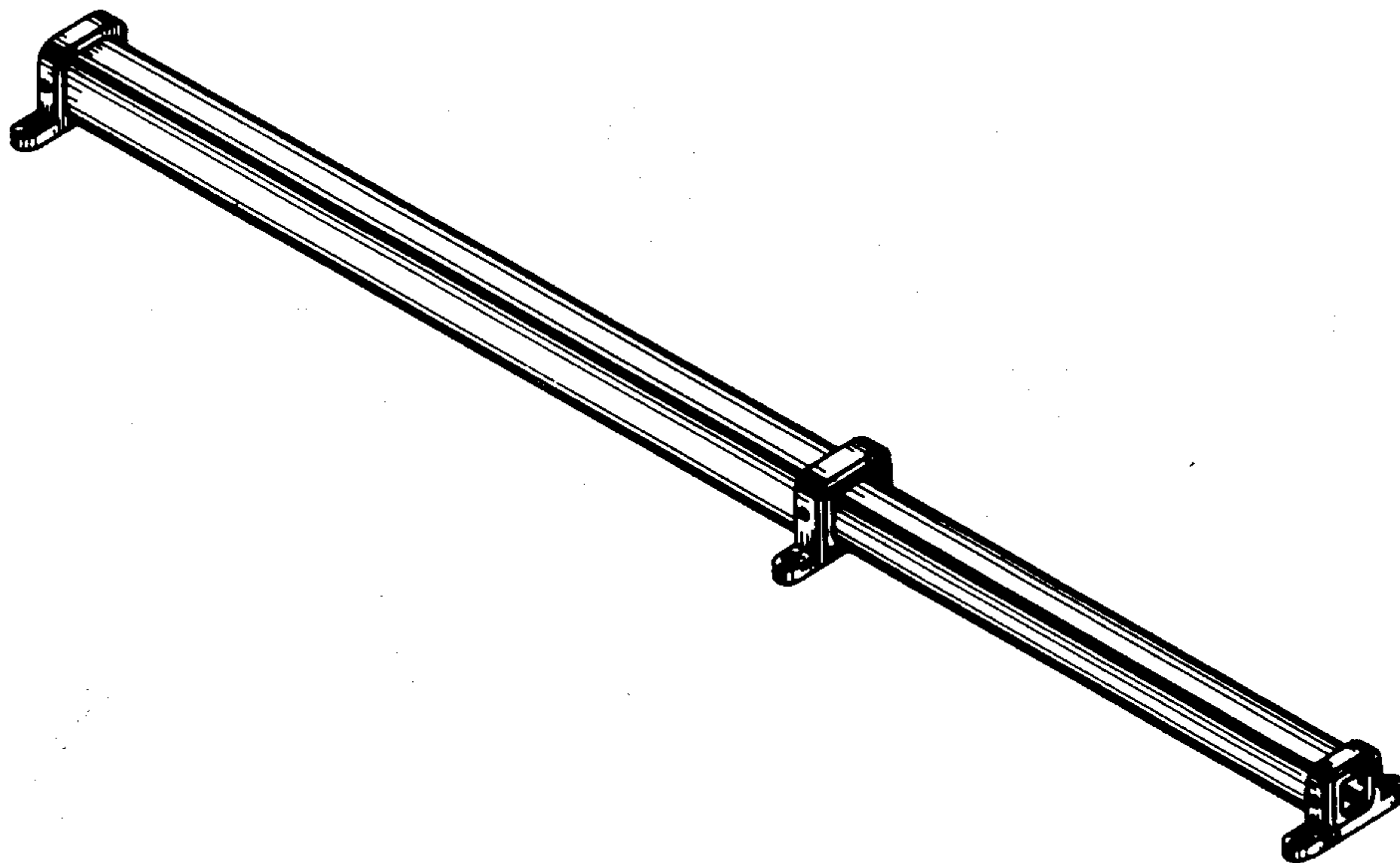
*Primary Examiner*—Wallace R. Burke  
*Assistant Examiner*—James M. Gandy  
*Attorney, Agent, or Firm*—Charles L. Kraft, II

[57] CLAIM

The ornamental design for a safety rail for sliding panels, substantially as shown.

DESCRIPTION

FIG. 1 is a front perspective view of a safety rail for sliding panels showing my new design; FIG. 2 is a rear perspective view thereof; and FIG. 3 is an enlarged elevational view thereof partially in section and with a portion broken away for convenience of illustration, it being understood that the broken line showing of the sliding panels is for illustrative purposes only.



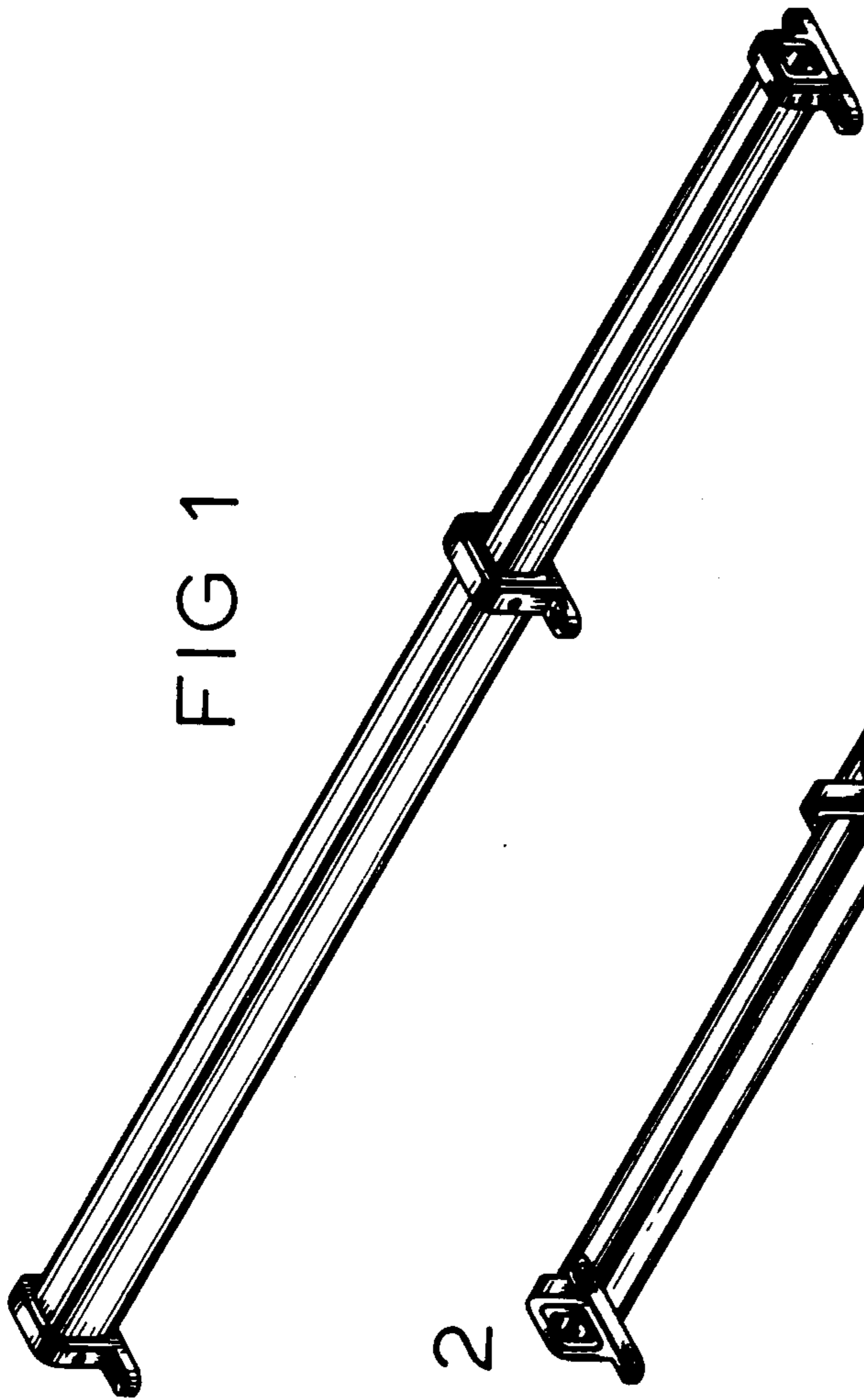


FIG 1

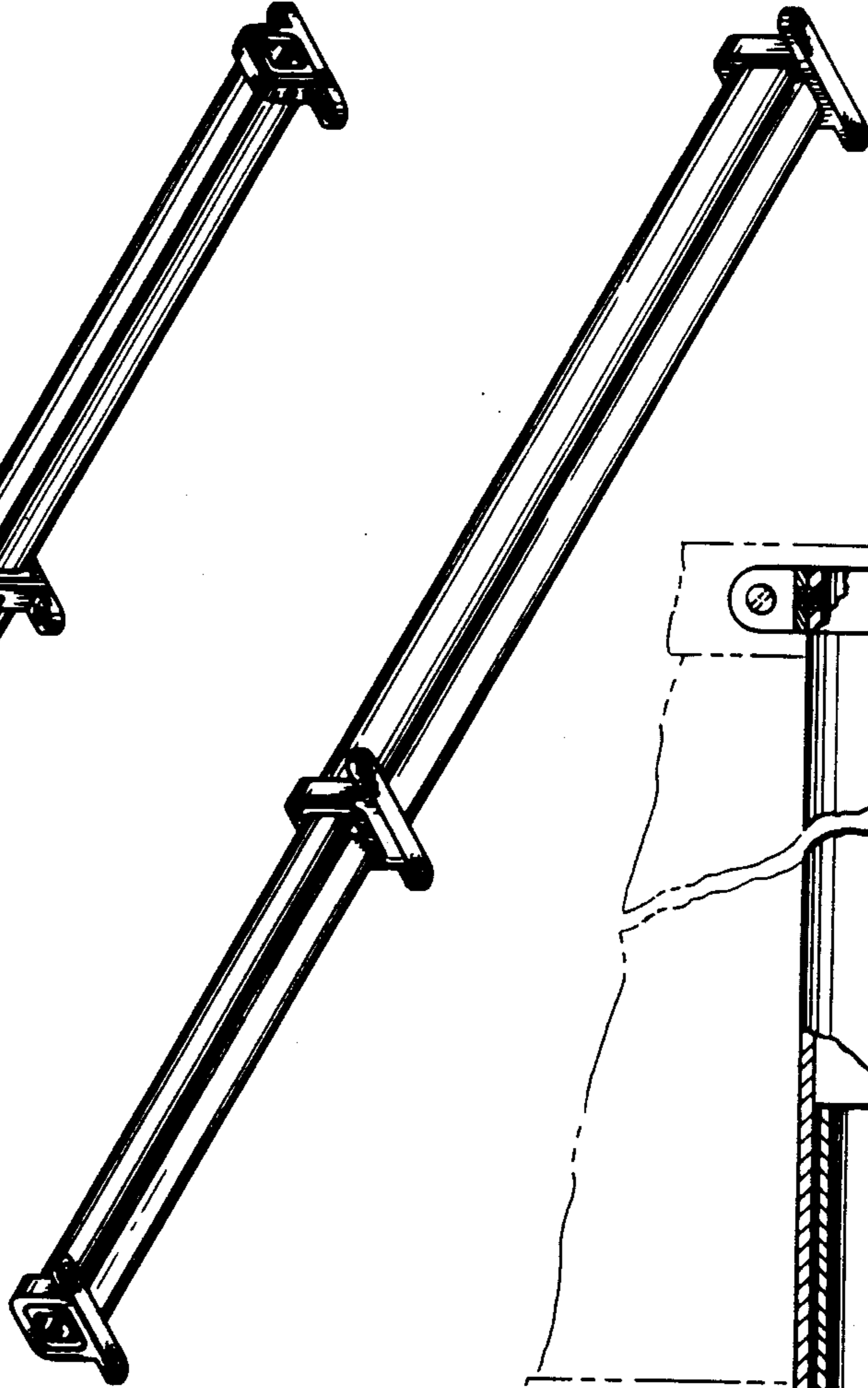


FIG 2

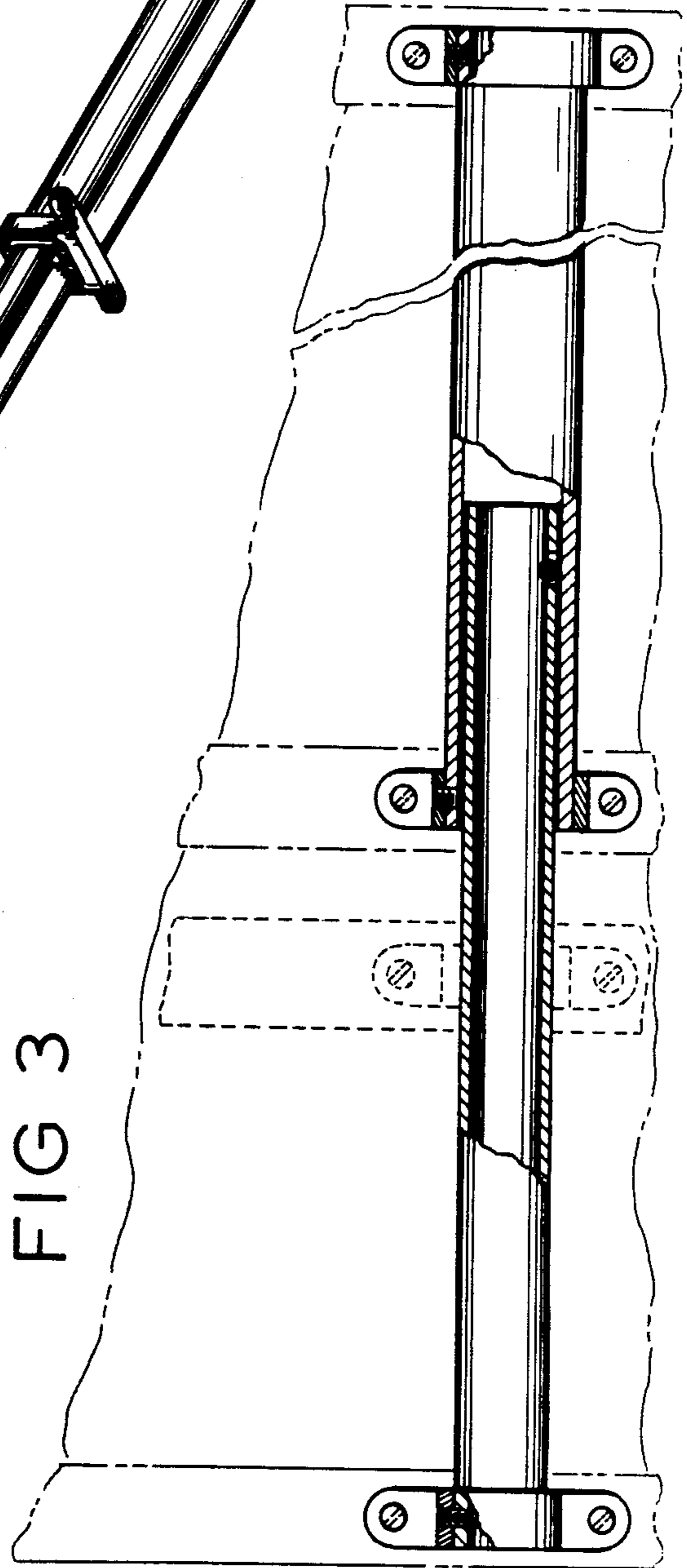


FIG 3