

[54] PORTABLE GRILL

[56]

References Cited

U.S. PATENT DOCUMENTS

[75] Inventor: Irving L. Mark, Chicago, Ill.

D. 91,639	2/1934	Stulik .....	D7/107
D. 164,199	8/1951	Riordan .....	D7/110
D. 188,155	6/1960	Hoebel .....	D7/110
3,249,101	5/1966	Weissman et al. ....	126/25 R X

[73] Assignee: Mark Design Ltd., Morton Grove, Ill.

Primary Examiner—Wallace R. Burke  
Assistant Examiner—Catherine Kemper  
Attorney, Agent, or Firm—Herbert B. Keil

[\*\*] Term: 14 Years

[57] CLAIM

[21] Appl. No.: 854,998

The ornamental design for a portable grill, as shown and described.

[22] Filed: Nov. 25, 1977

DESCRIPTION

[51] Int. Cl. .... D7—02

[52] U.S. Cl. .... D7/110

[58] Field of Search ..... D7/107, 108, 109, 110;  
126/25 R, 25 A, 25 AA, 25 B, 25 C, 29, 30, 9 R,  
9 A, 9 B

FIG. 1 is a front elevational view of a portable grill, showing my new design, the rear elevation being identical thereto;  
FIG. 2 is an elevational side view thereof; and  
FIG. 3 is a top plan view thereof.  
FIG. 4 is a top perspective view thereof.

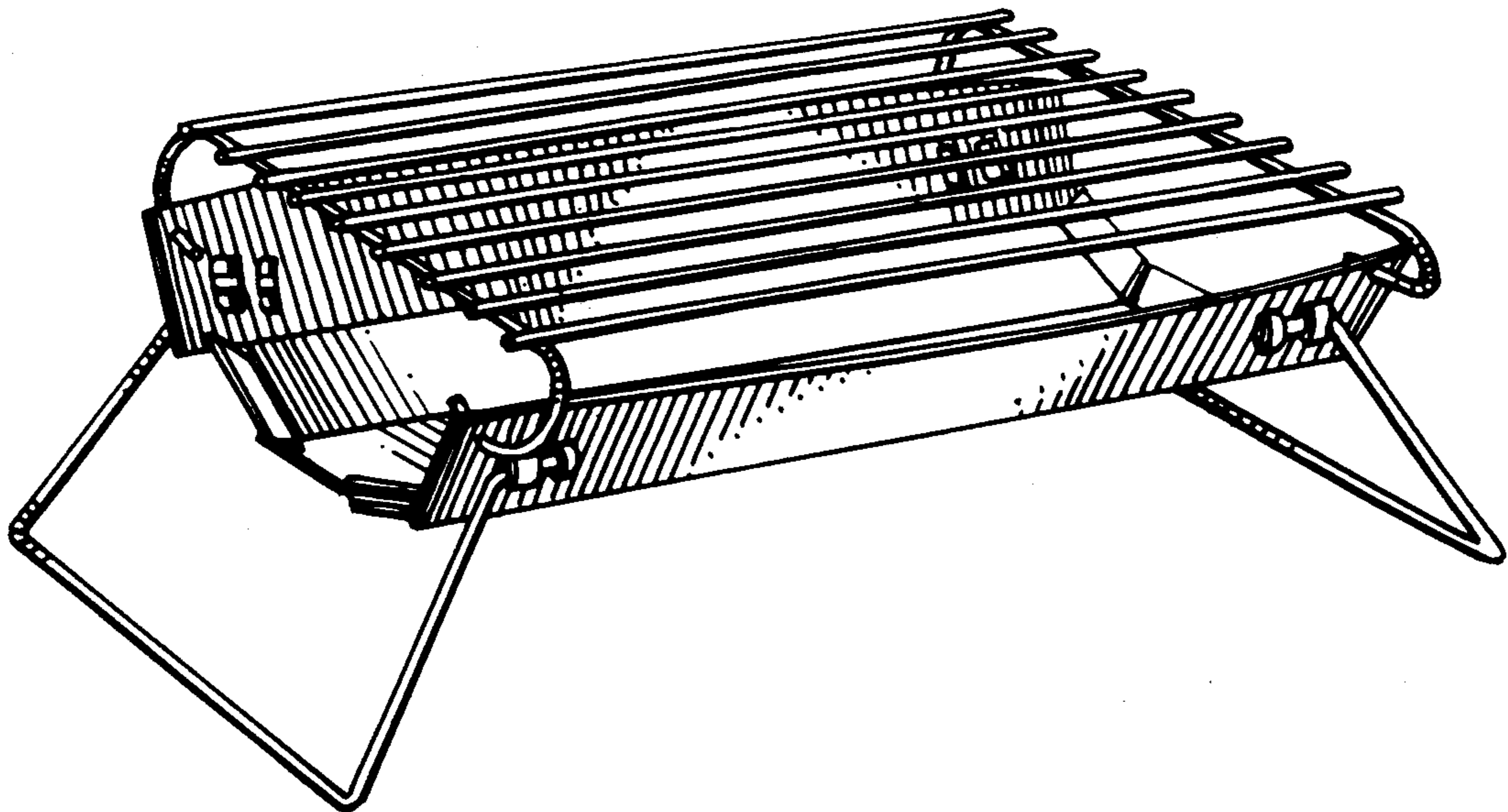


FIG. 1

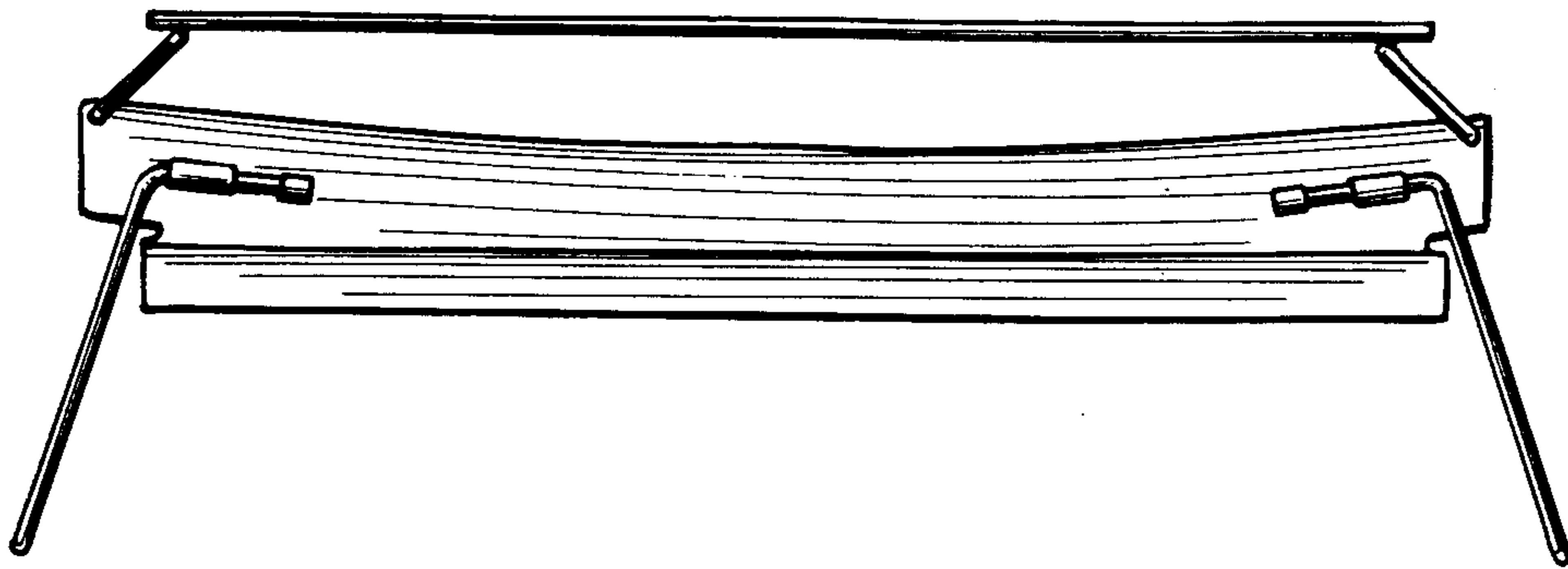


FIG. 2

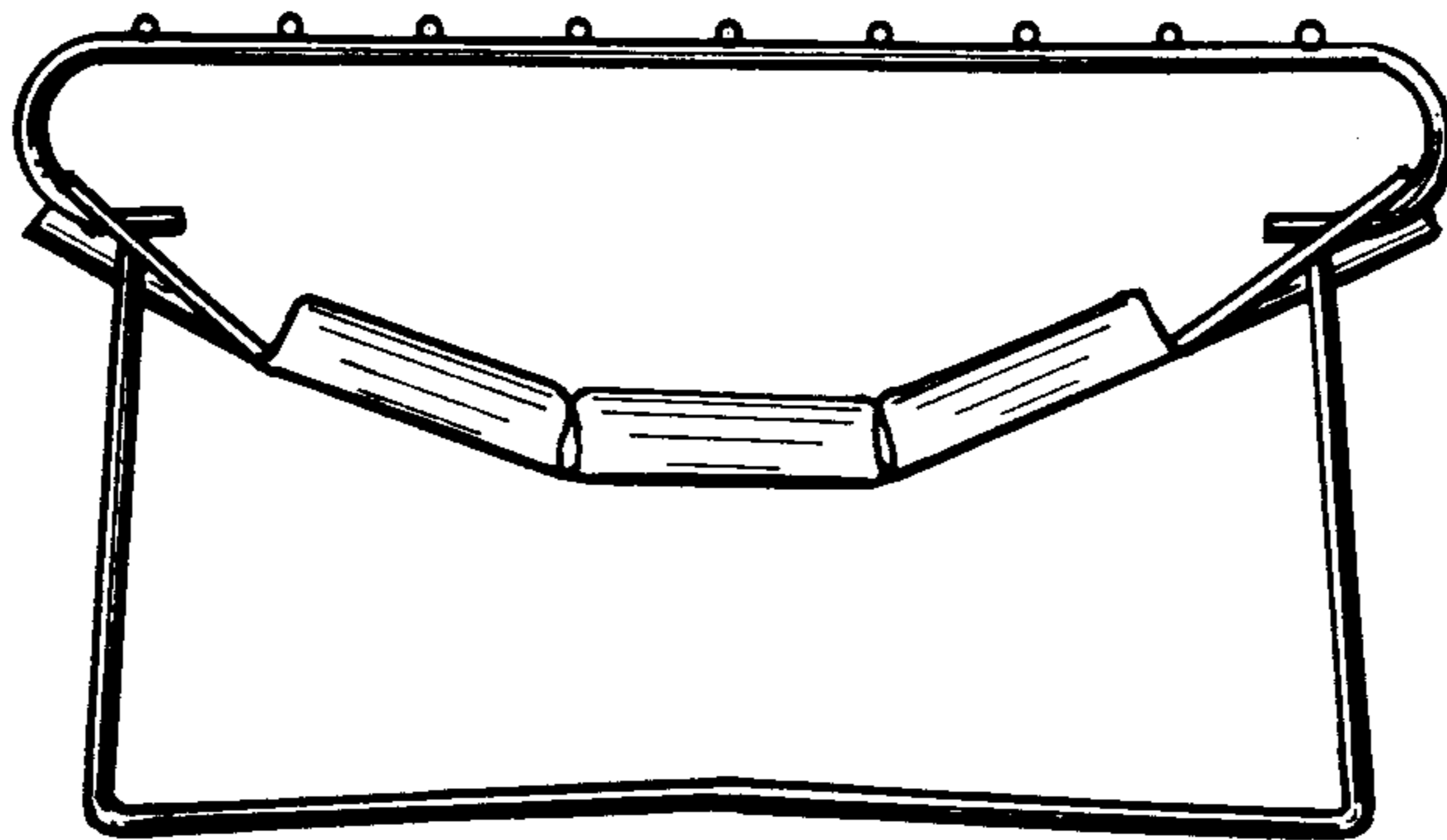


FIG. 3

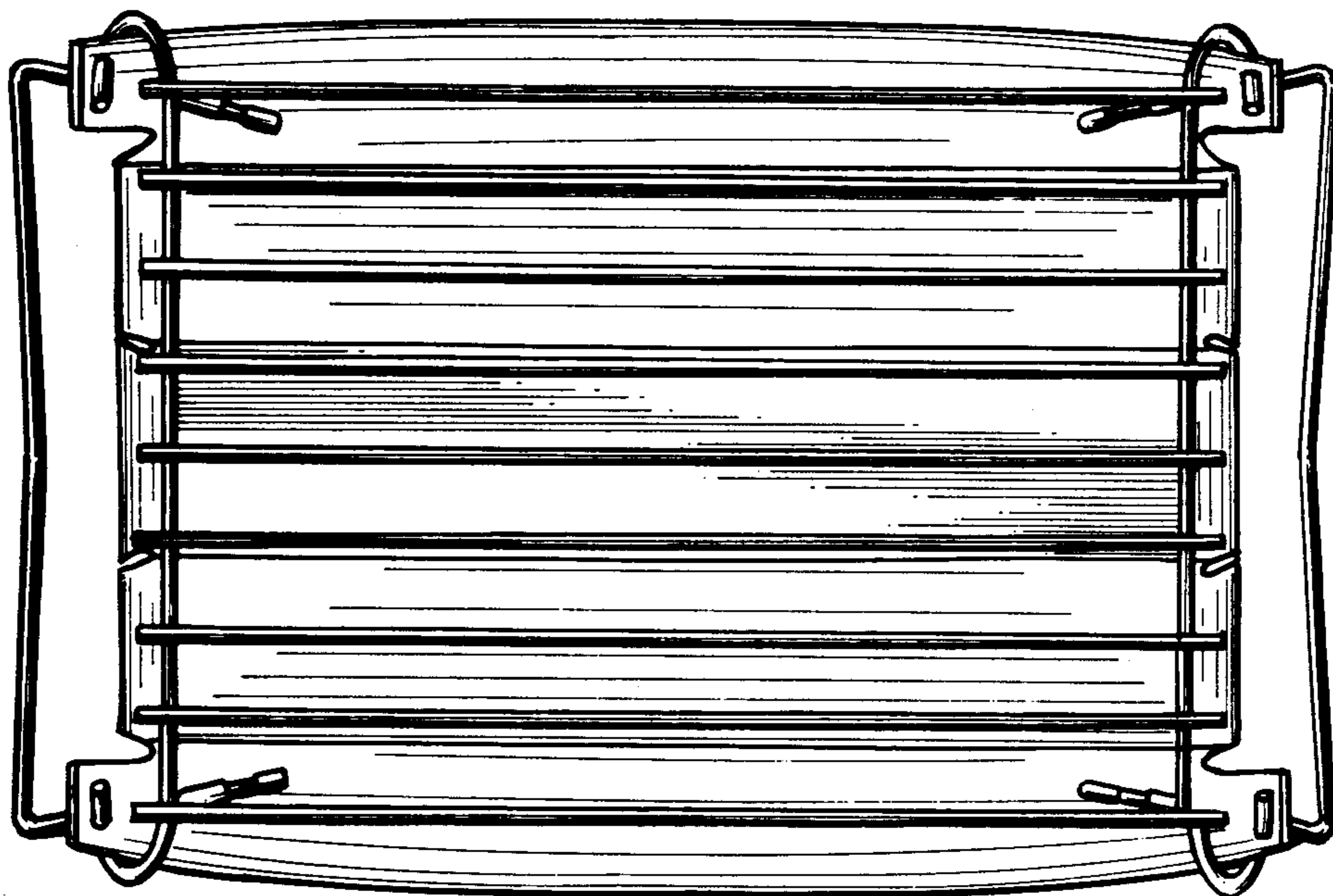


FIG. 4

