

[54] **HOLDER FOR A MEASURING SPOON SET OR THE LIKE**

926,852	7/1909	Catlin	248/37.3
1,916,984	7/1933	Naken	211/60 T
3,874,085	4/1975	Atkins	D7/74 X

[75] Inventor: **Robert H. C. M. Daenen**, Hekelgem, Belgium

Primary Examiner—Winifred E. Herrmann
Attorney, Agent, or Firm—Leigh B. Taylor

[73] Assignee: **Dart Industries, Inc.**, Los Angeles, Calif.

[57] **CLAIM**

[**] Term: **14 Years**

The ornamental design for a holder for a measuring spoon set or the like, substantially as shown and described.

[21] Appl. No.: **871,060**

[22] Filed: **Jan. 20, 1978**

DESCRIPTION

[51] Int. Cl. **D7—06**

FIG. 1 is a top perspective view of a holder for a measuring spoon set or the like showing my new design, the broken line showing of a measuring spoon being for illustrative purposes only;

[52] U.S. Cl. **D7/74; D6/188**

FIG. 2 is a top plan view thereof;

[58] Field of Search **D7/73, 74, 52, 50; 211/60 T, 60 M; 248/37.3; 206/553, 564, 561; D6/136, 130, 181, 157, 188, 85, 125**

FIG. 3 is a front view thereof;

FIG. 4 is a bottom view thereof;

FIG. 5 is a rear view thereof;

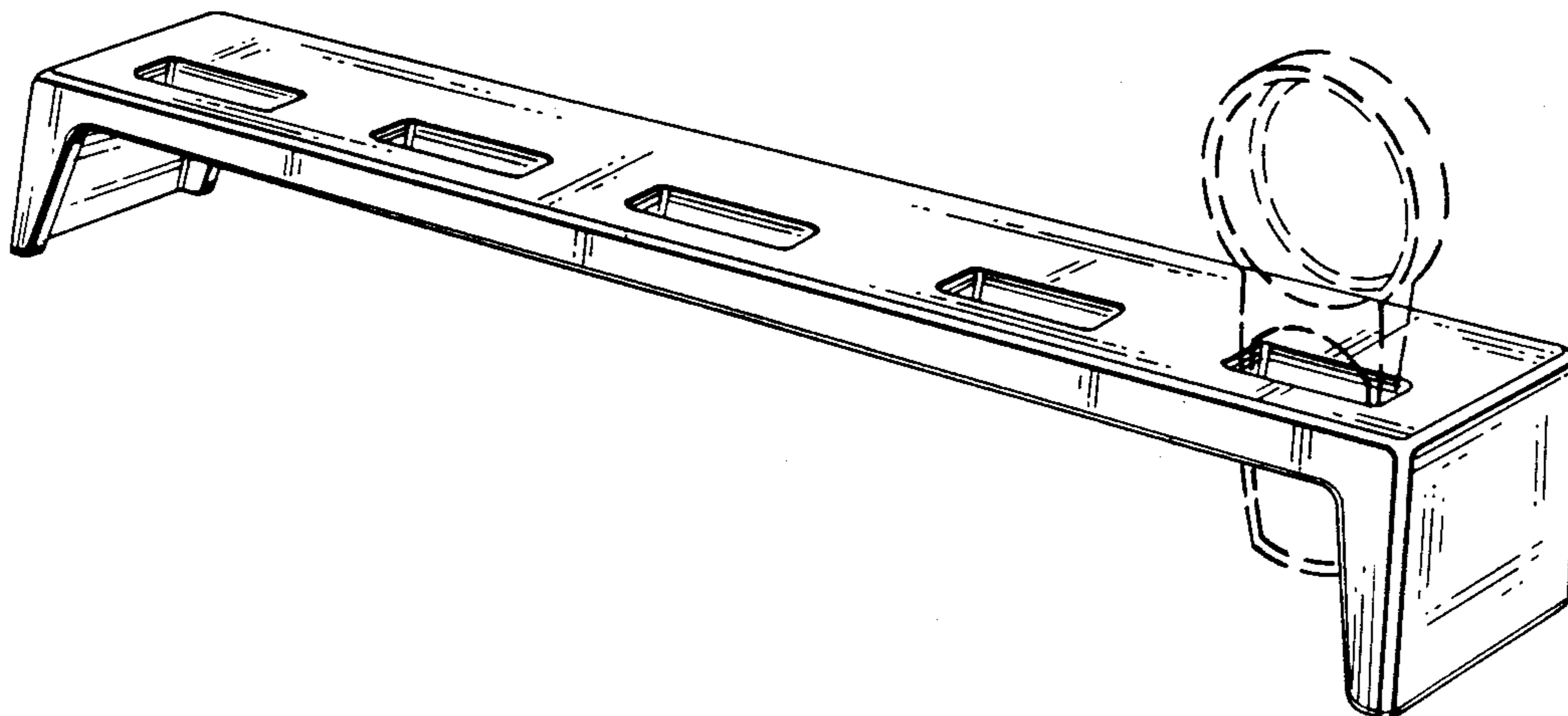
FIG. 6 is an end view thereof; and

FIG. 7 is a cross-sectional view thereof taken along line 7—7 of FIG. 1.

[56] **References Cited**

U.S. PATENT DOCUMENTS

D. 221,072	7/1971	Arenhold	D6/58
D. 248,714	8/1978	Dedrick	D7/71 X



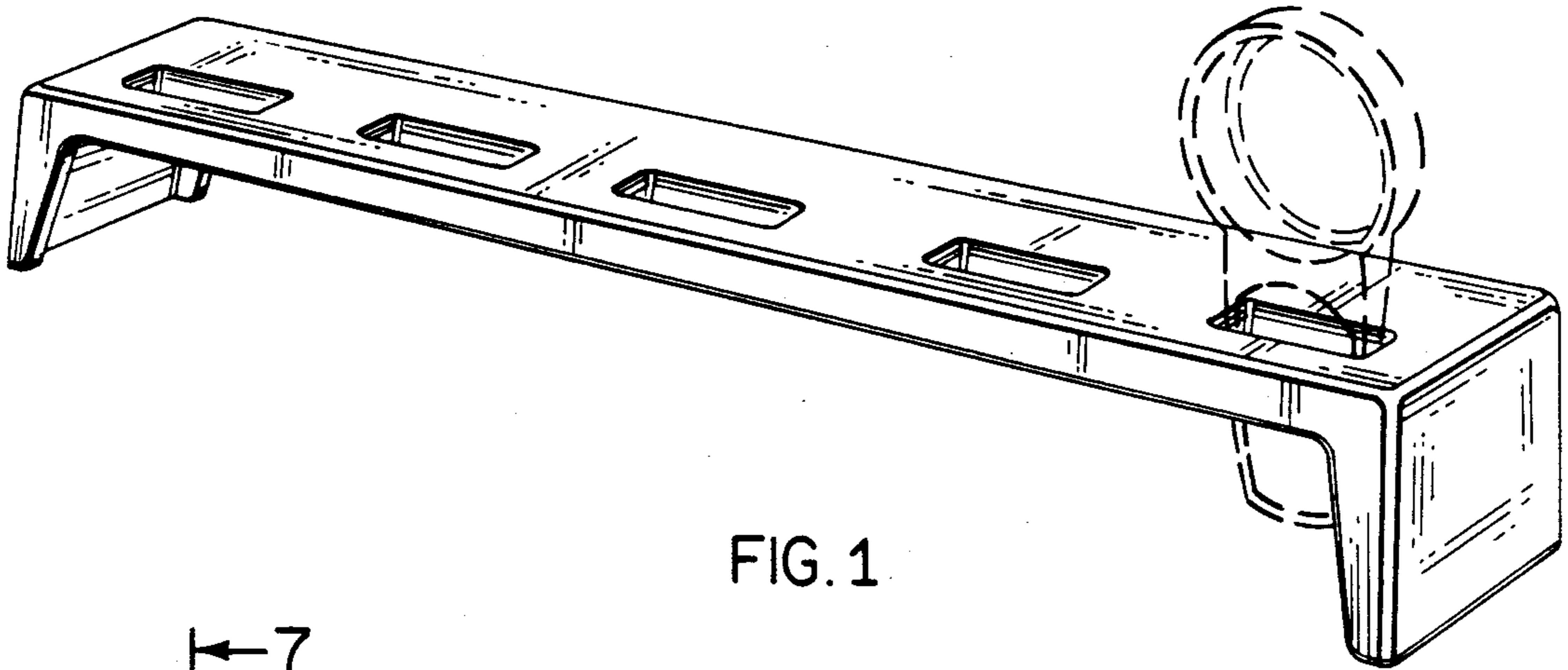


FIG. 1

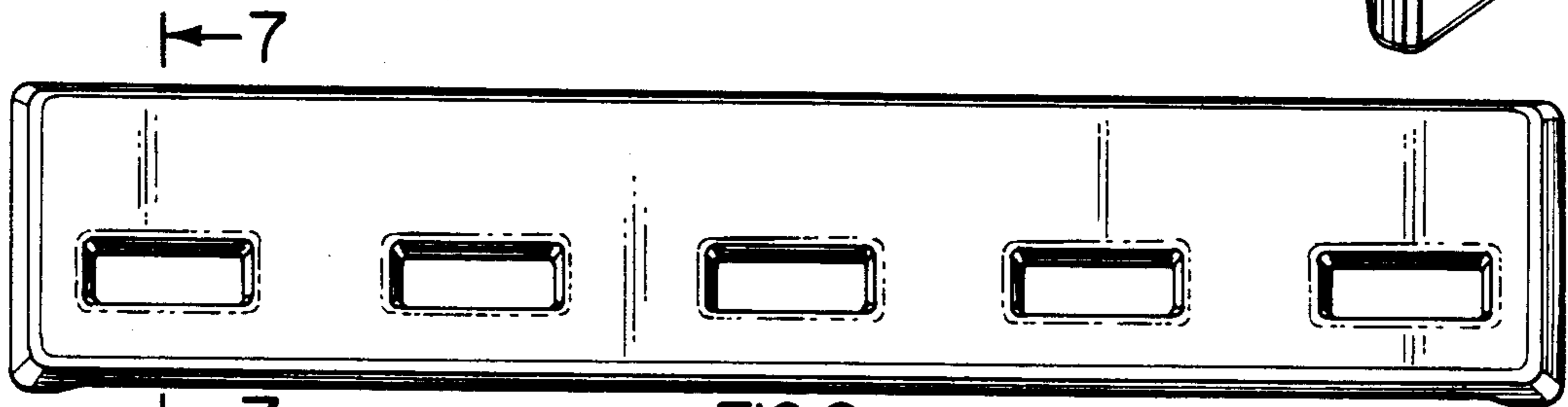


FIG. 2

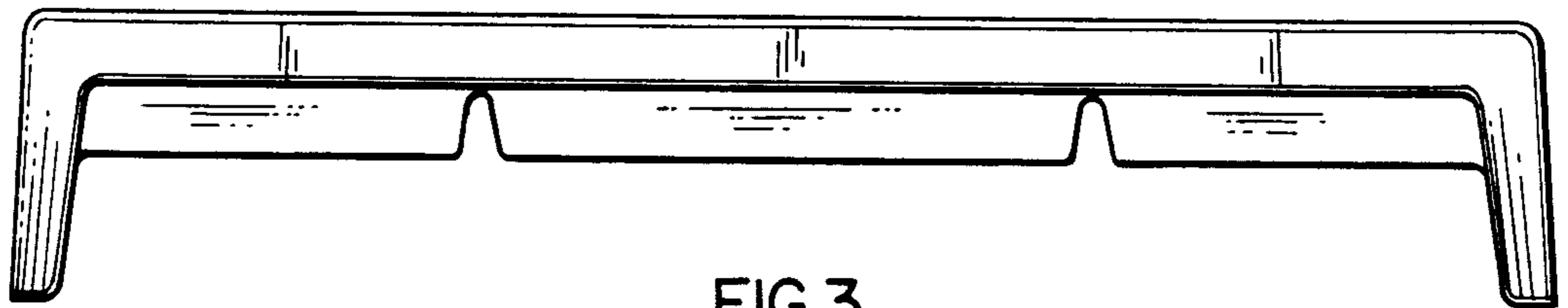


FIG. 3

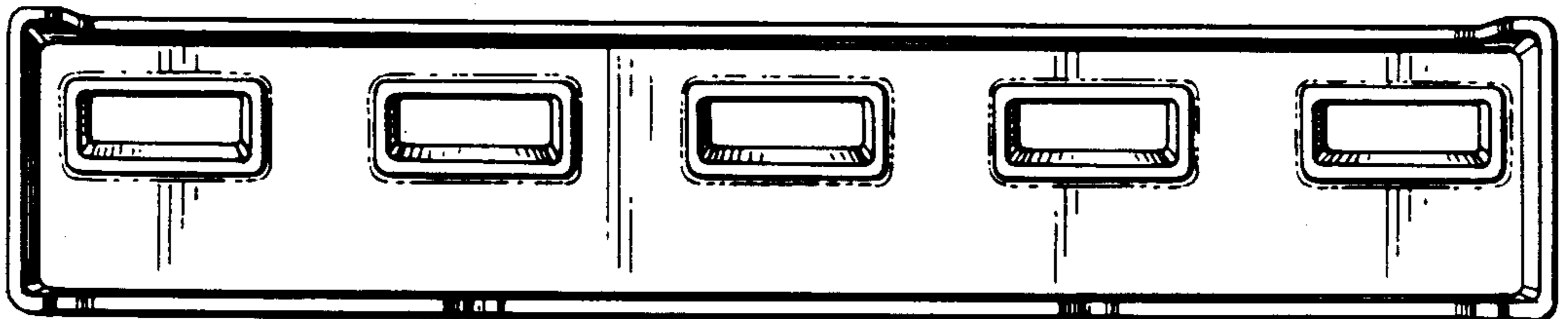


FIG. 4

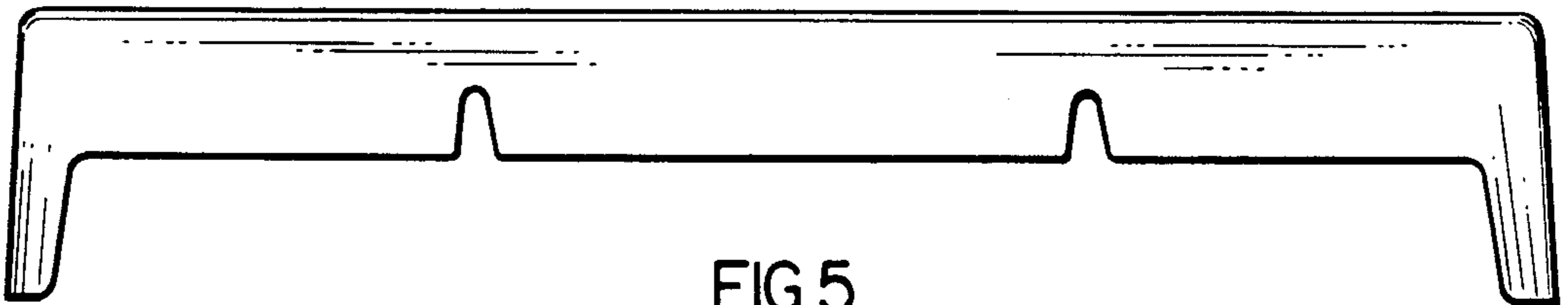


FIG. 5

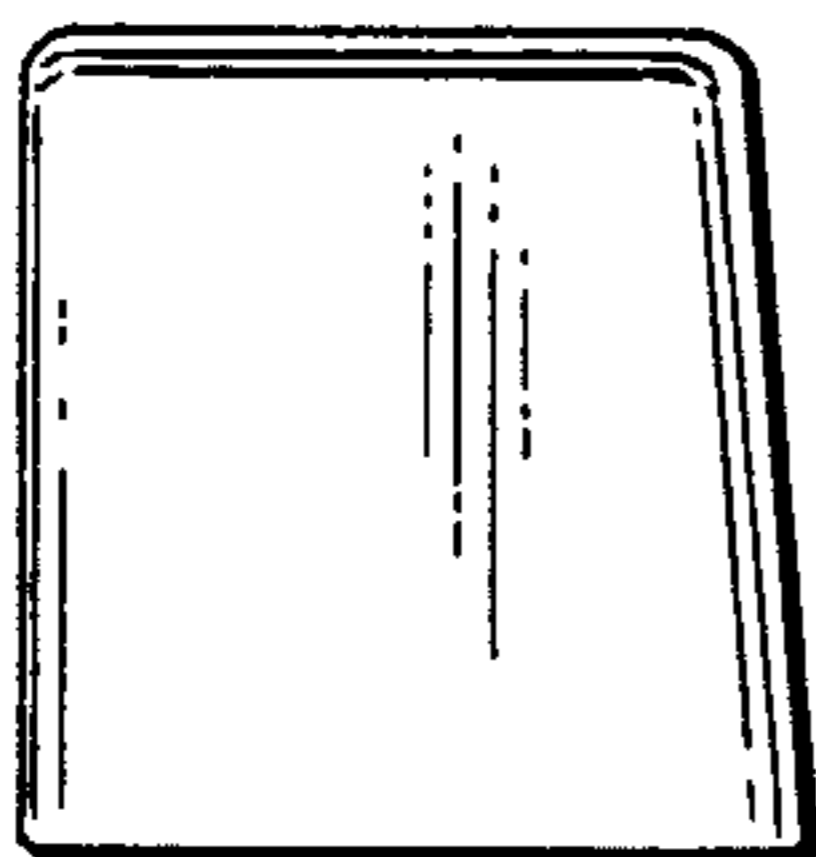


FIG. 6

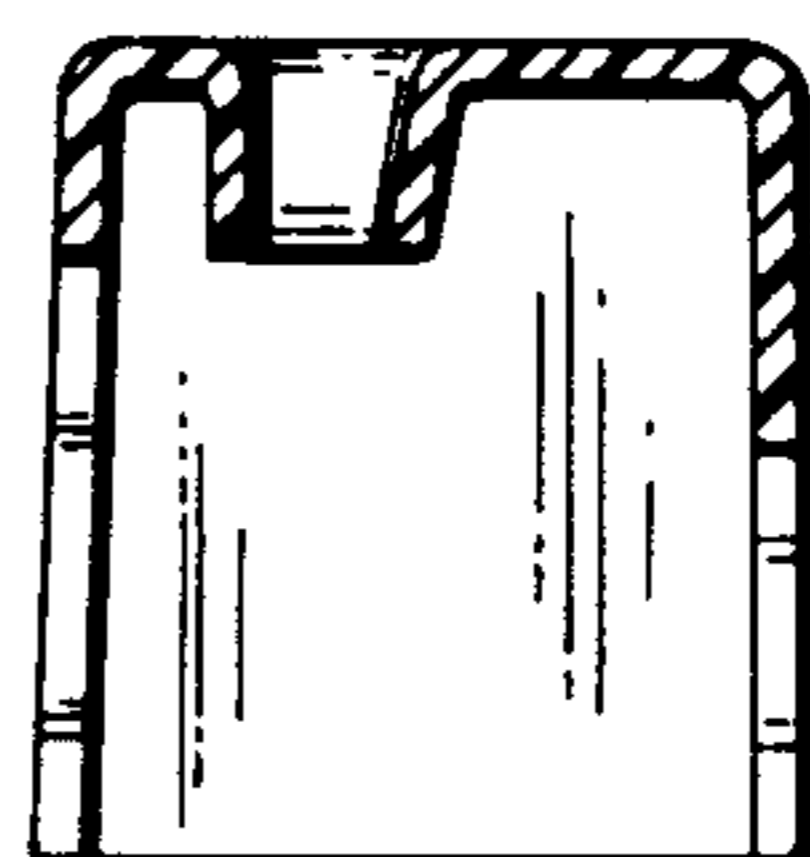


FIG. 7