

[54] COMBINED LIQUID DISPENSER AND DISPOSABLE CUP HOLDER

[76] Inventor: Ronald L. Price, 401 W. Vineyard, Apt. 369, Oxnard, Calif. 93030

[\*\*] Term: 14 Years

[21] Appl. No.: 768,556

[22] Filed: Feb. 14, 1977

[51] Int. Cl. .... D23-02

[52] U.S. Cl. .... D6/91; D6/95; D6/115

[58] Field of Search ..... D6/89, 90, 95, 91, 115; D52/2 B; 221/96, 282, 287; 222/173, 180, 181, 185, 192

[56] References Cited

U.S. PATENT DOCUMENTS

D. 218,637	9/1970	Sims	.....	D52/2 B
D. 220,708	5/1971	Brott	.....	D6/115
3,434,629	3/1969	Hooge et al.	.....	221/96

3,604,592 9/1971 Bacon et al. .... 222/185

Primary Examiner—Wallace R. Burke

Assistant Examiner—B. J. Bullock

Attorney, Agent, or Firm—William H. Pavitt, Jr.

[57] CLAIM

The ornamental design for a combined liquid dispenser and disposable cup holder, substantially as shown and described.

DESCRIPTION

FIG. 1 is a perspective view of a combined liquid dispenser and disposable cup holder showing my new design;

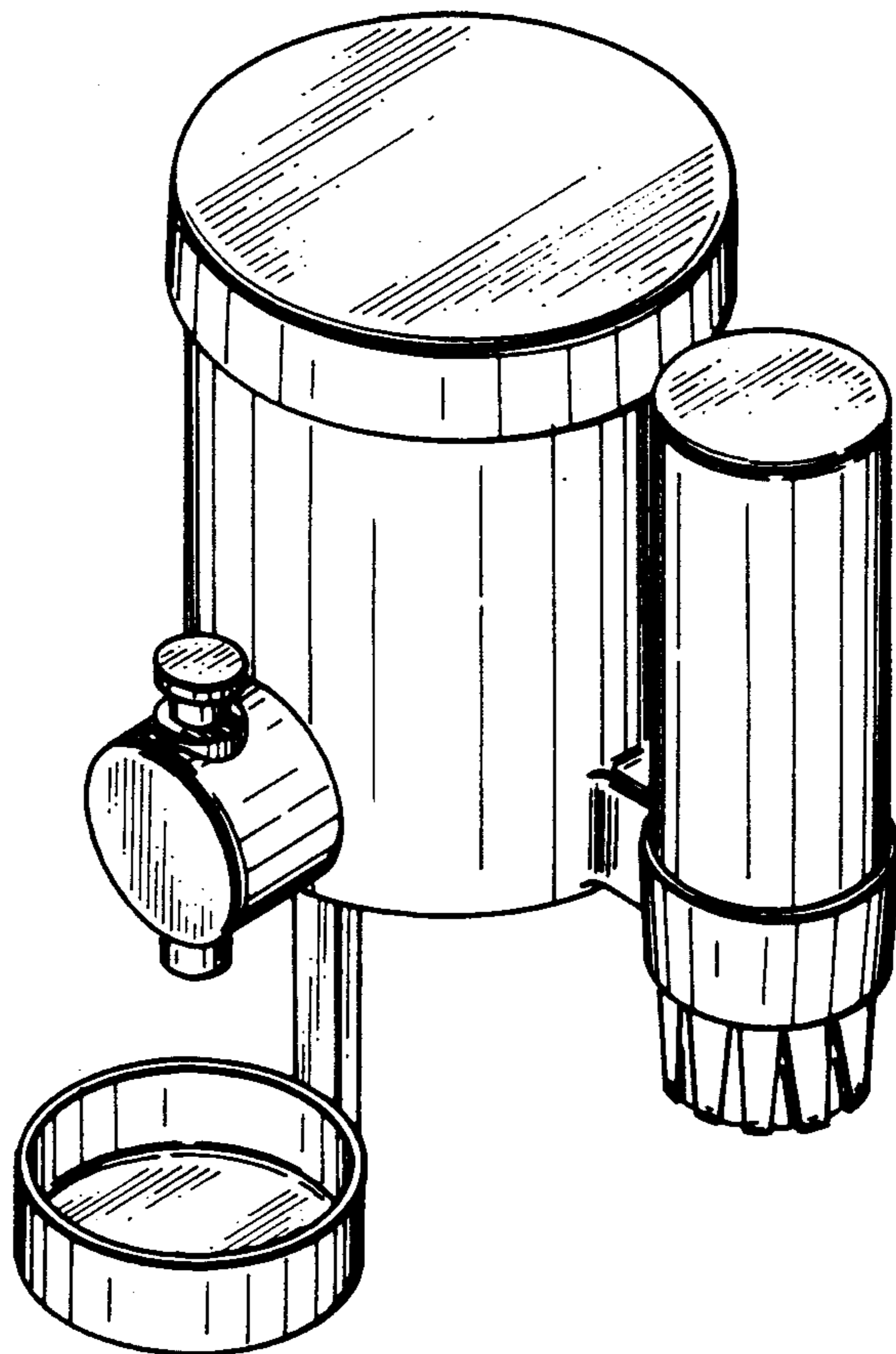
FIG. 2 is a side elevational view taken from the right of FIG. 1;

FIG. 3 is a rear elevational view;

FIG. 4 is a side elevational view taken from the left of FIG. 1;

FIG. 5 is a top plan view.

The bottom is flat and unornamented, except for the opening in the base of the cup holder.



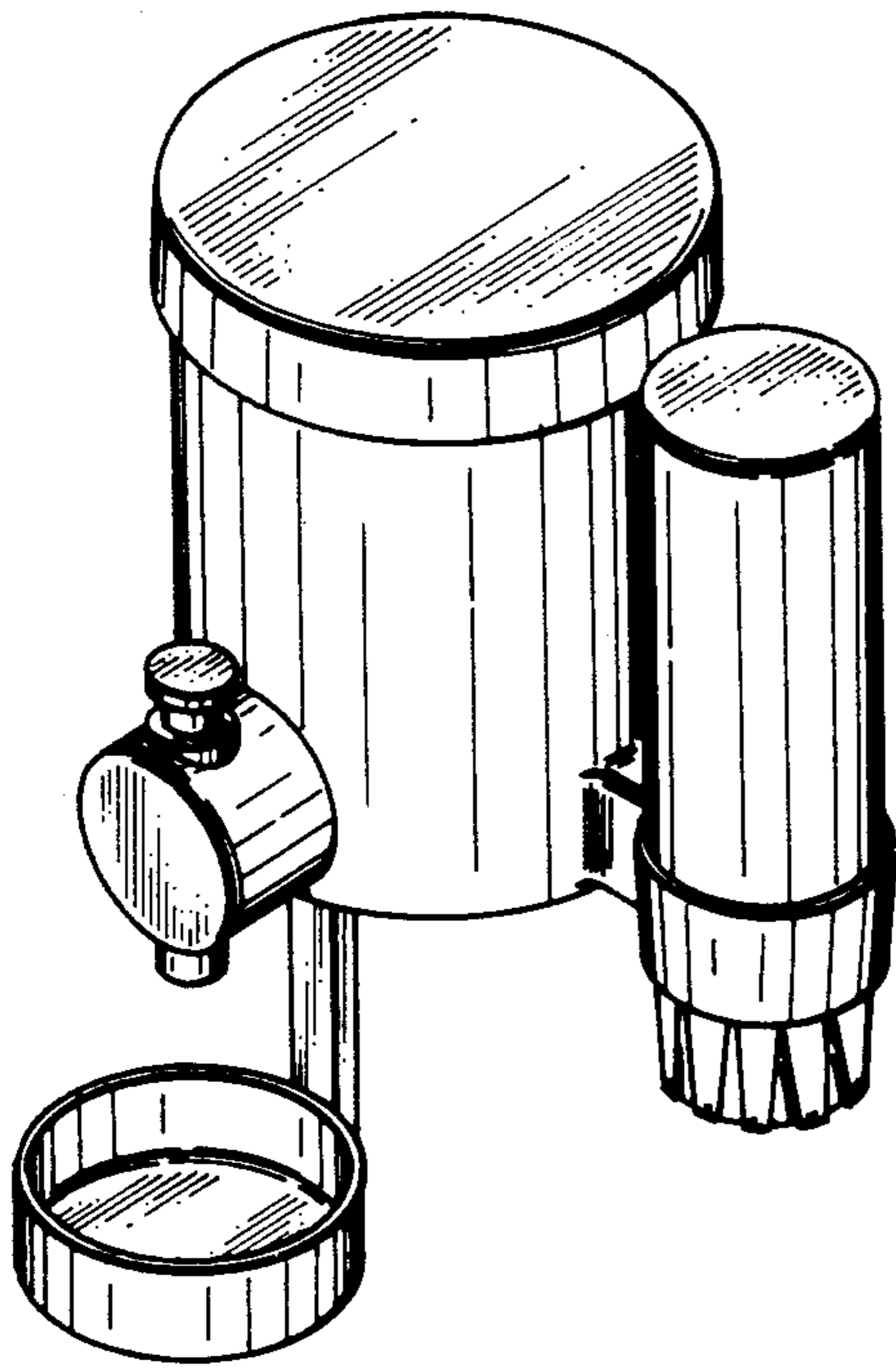


FIG. 1

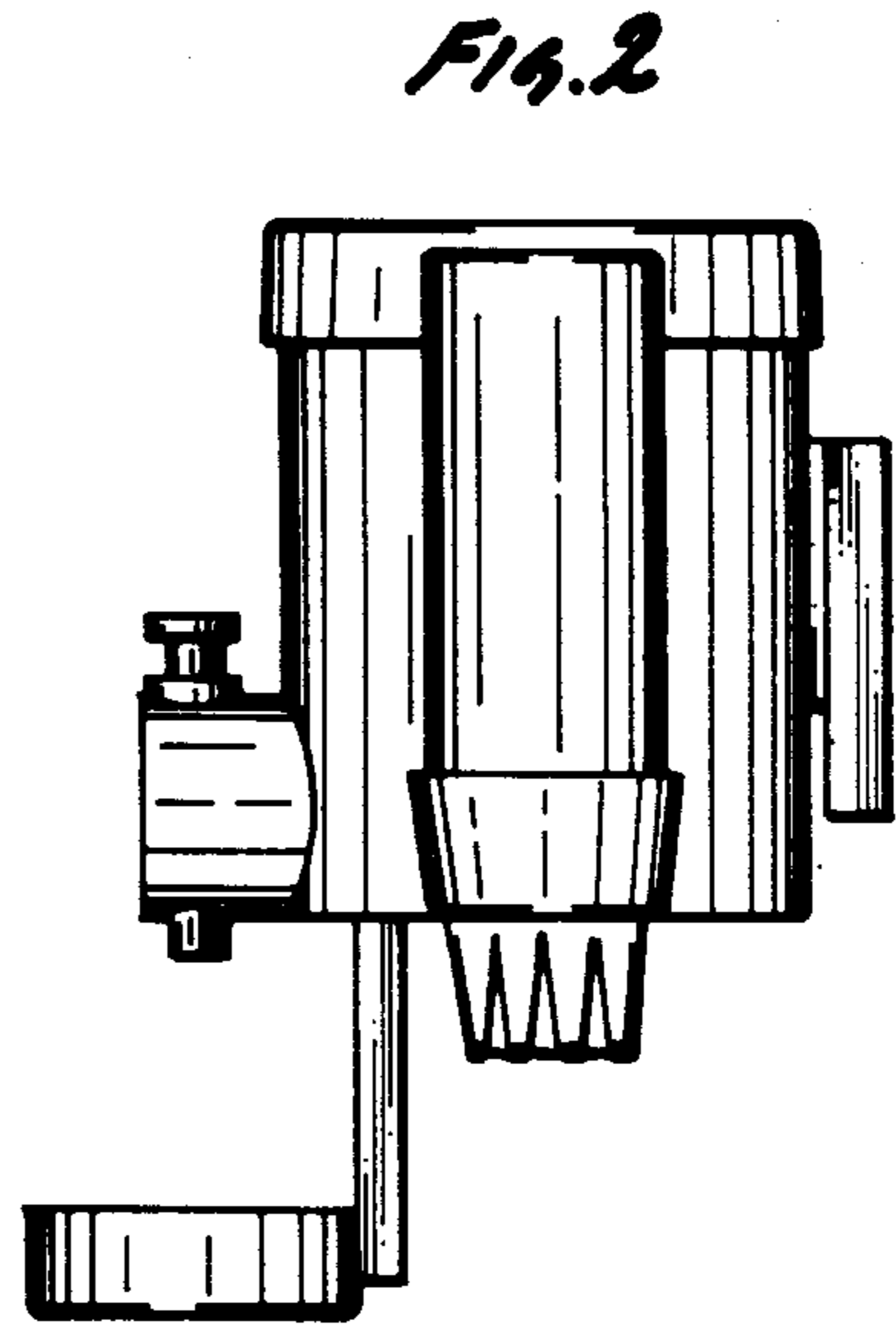


FIG. 2

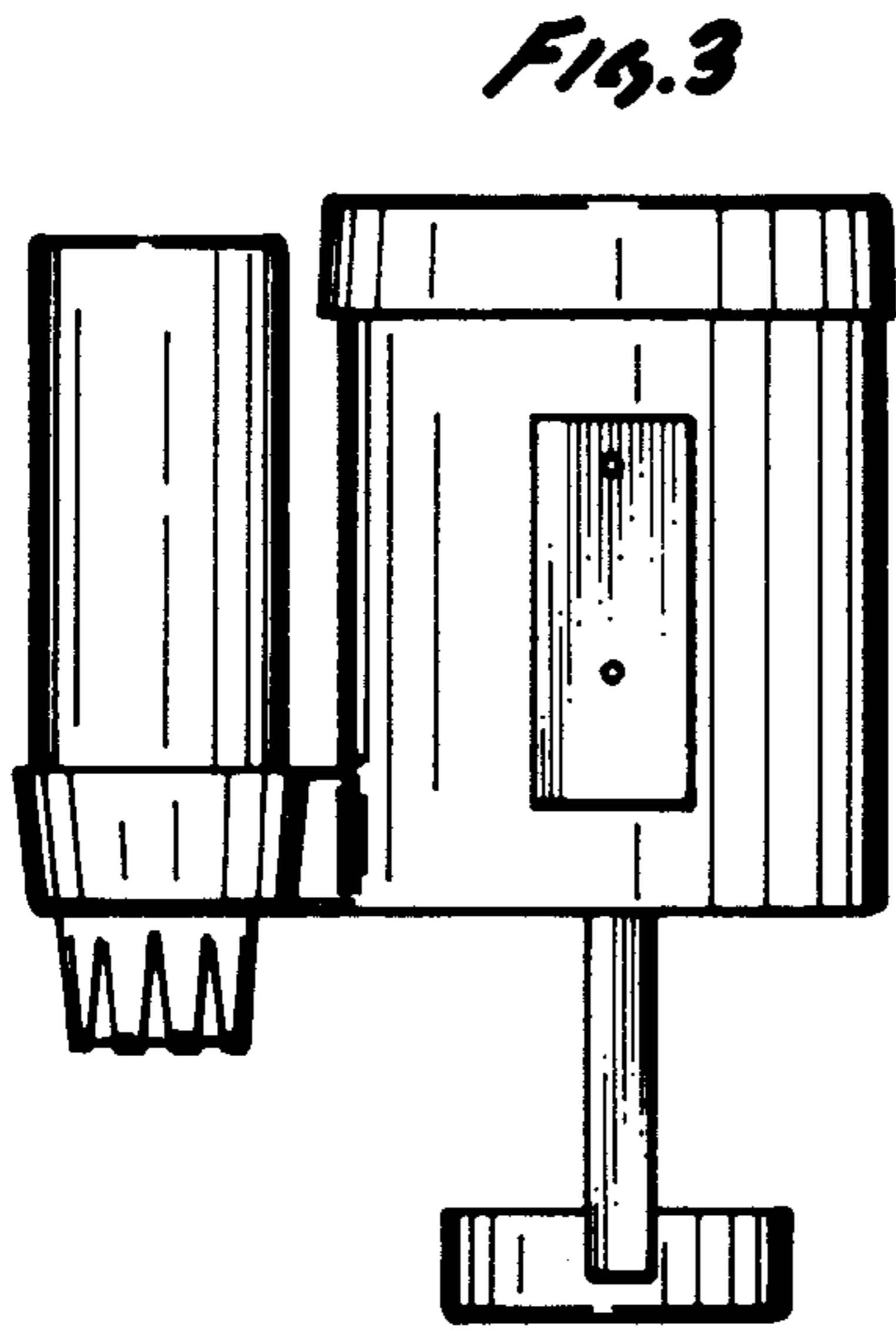


FIG. 3

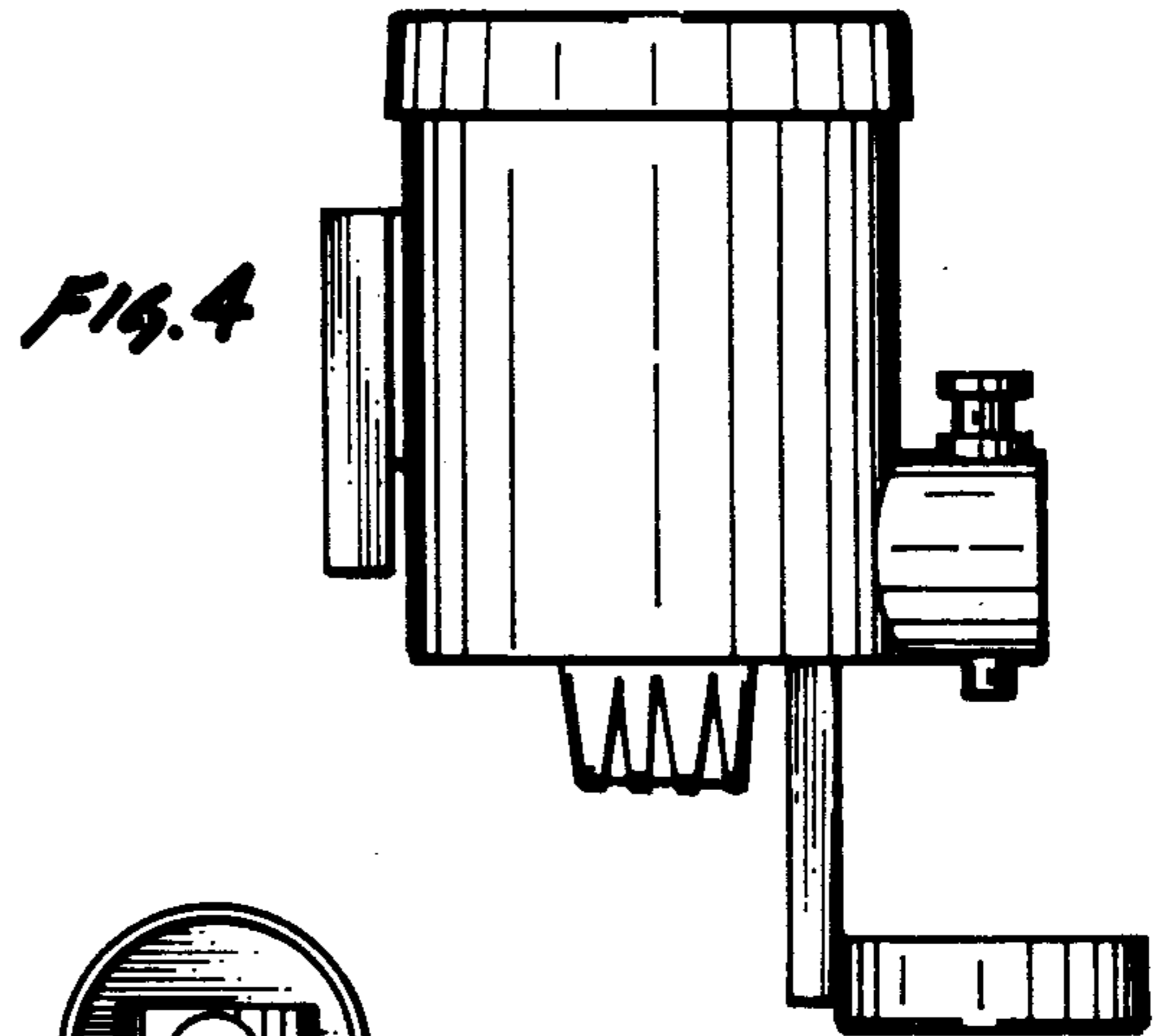


FIG. 4

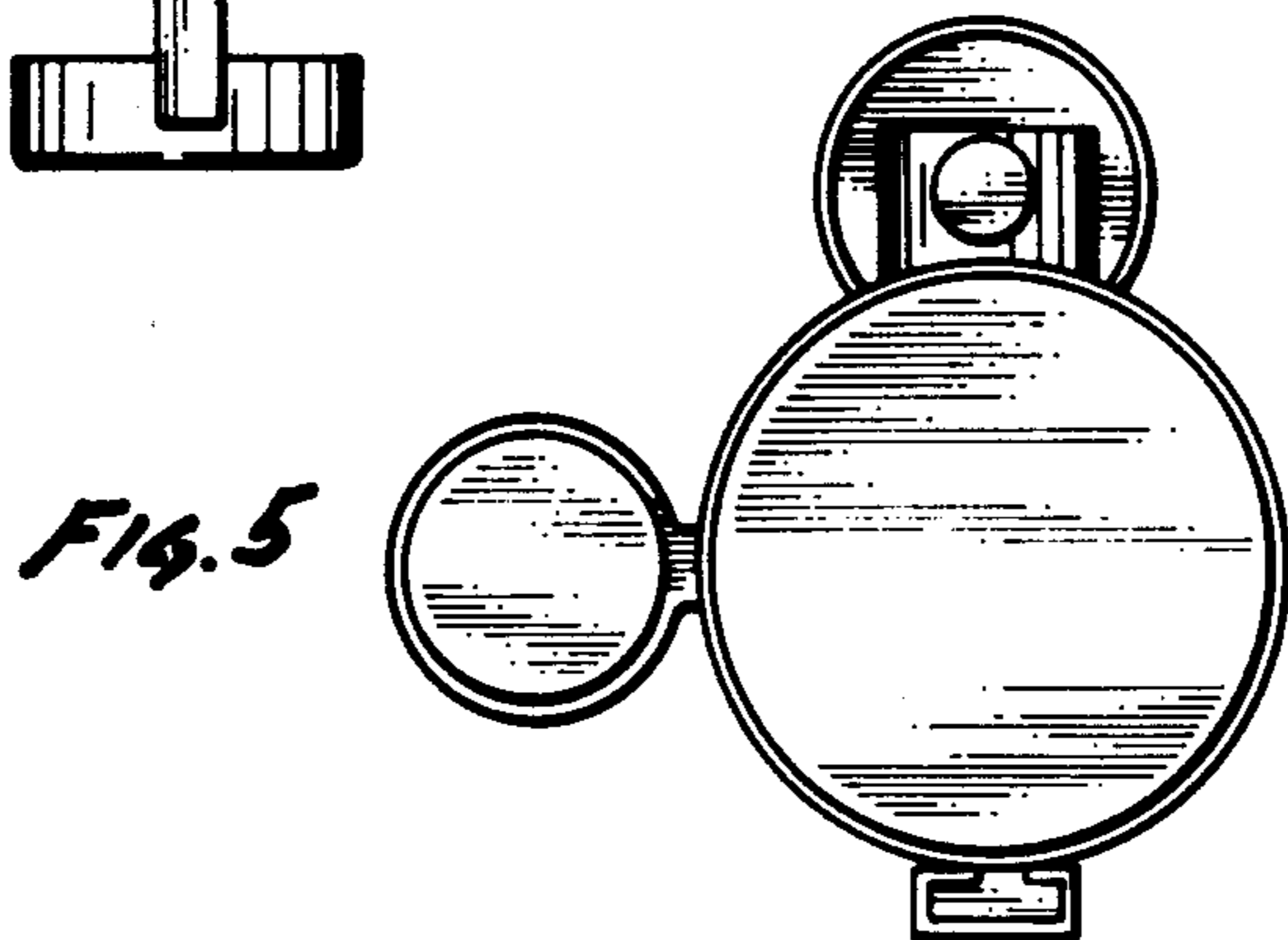


FIG. 5