

[54] TOILET TISSUE COVER

3,467,456 9/1969 Chmela 312/39

[76] Inventor: **Marlene Y. Chandler**, 3174 Forest Manor, Indianapolis, Ind. 46218

Primary Examiner—Wallace R. Burke
Assistant Examiner—B. J. Bullock
Attorney, Agent, or Firm—Robert A. Spray

[**] Term: **14 Years**

[21] Appl. No.: **952,320**

[57] **CLAIM**

[22] Filed: **Oct. 18, 1978**

The ornamental design for a toilet tissue cover, as shown and described.

[51] Int. Cl. **D23-02**

[52] U.S. Cl. **D6/86**

[58] Field of Search **D6/86-94,**
D6/96-103; 312/50, 60, 71; 242/55.2, 55.3,
55.42, 55.53, 55.54, 55.55, 137-139

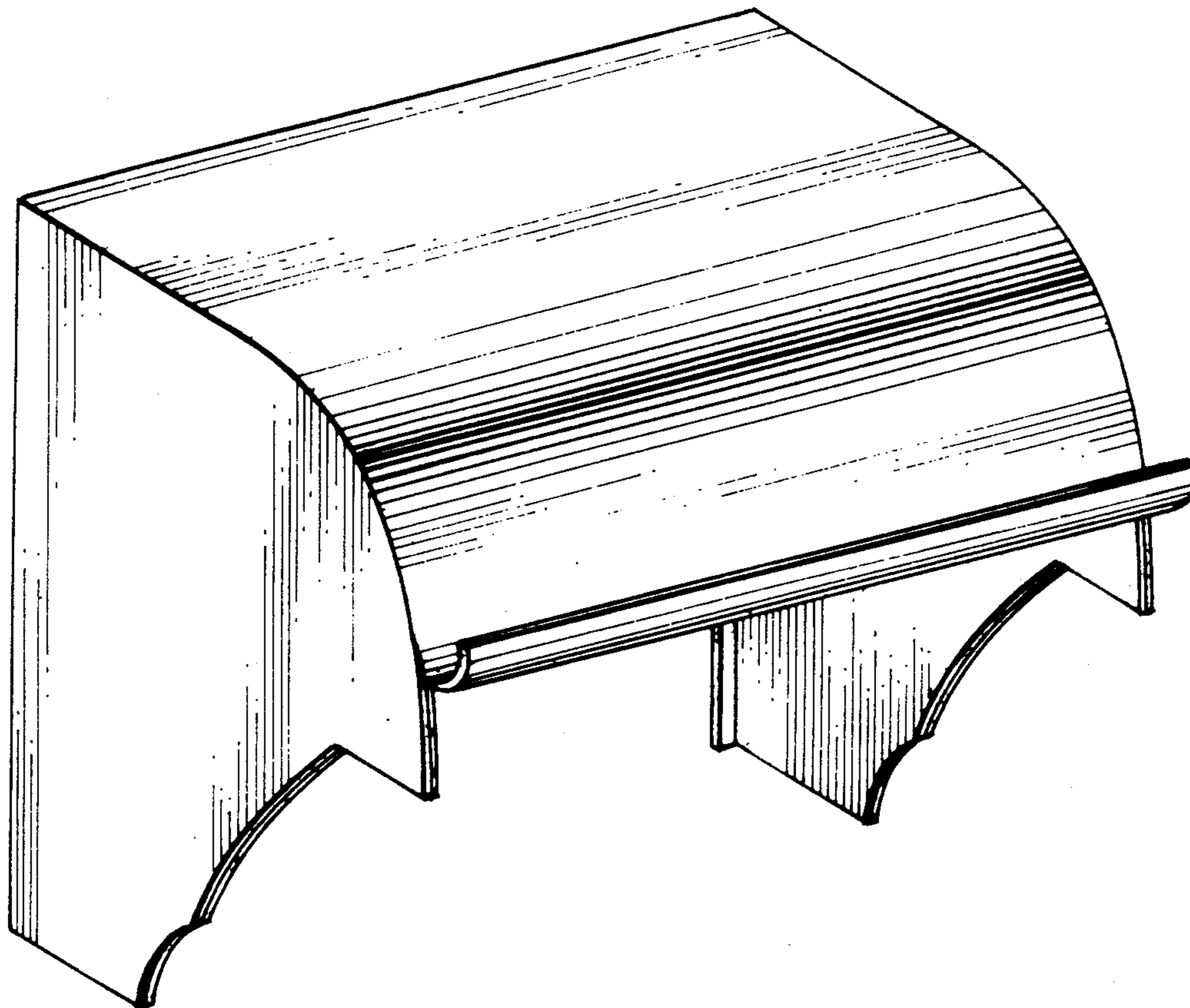
DESCRIPTION

FIG. 1 is an enlarged perspective view of a toilet tissue cover showing my new design;
FIG. 2 is a top view thereof;
FIG. 3 is a side elevational view taken from the right of FIG. 1;
FIG. 4 is a front view thereof;
FIG. 5 is a side elevational view taken from the left of FIG. 1;
FIG. 6 is a bottom view thereof;
FIG. 7 is a rear view thereof.

[56] **References Cited**

U.S. PATENT DOCUMENTS

D. 204,866	5/1966	Stewart	D6/86
D. 211,258	6/1968	Shrier	D6/97
D. 241,593	9/1976	Wriede	D6/97



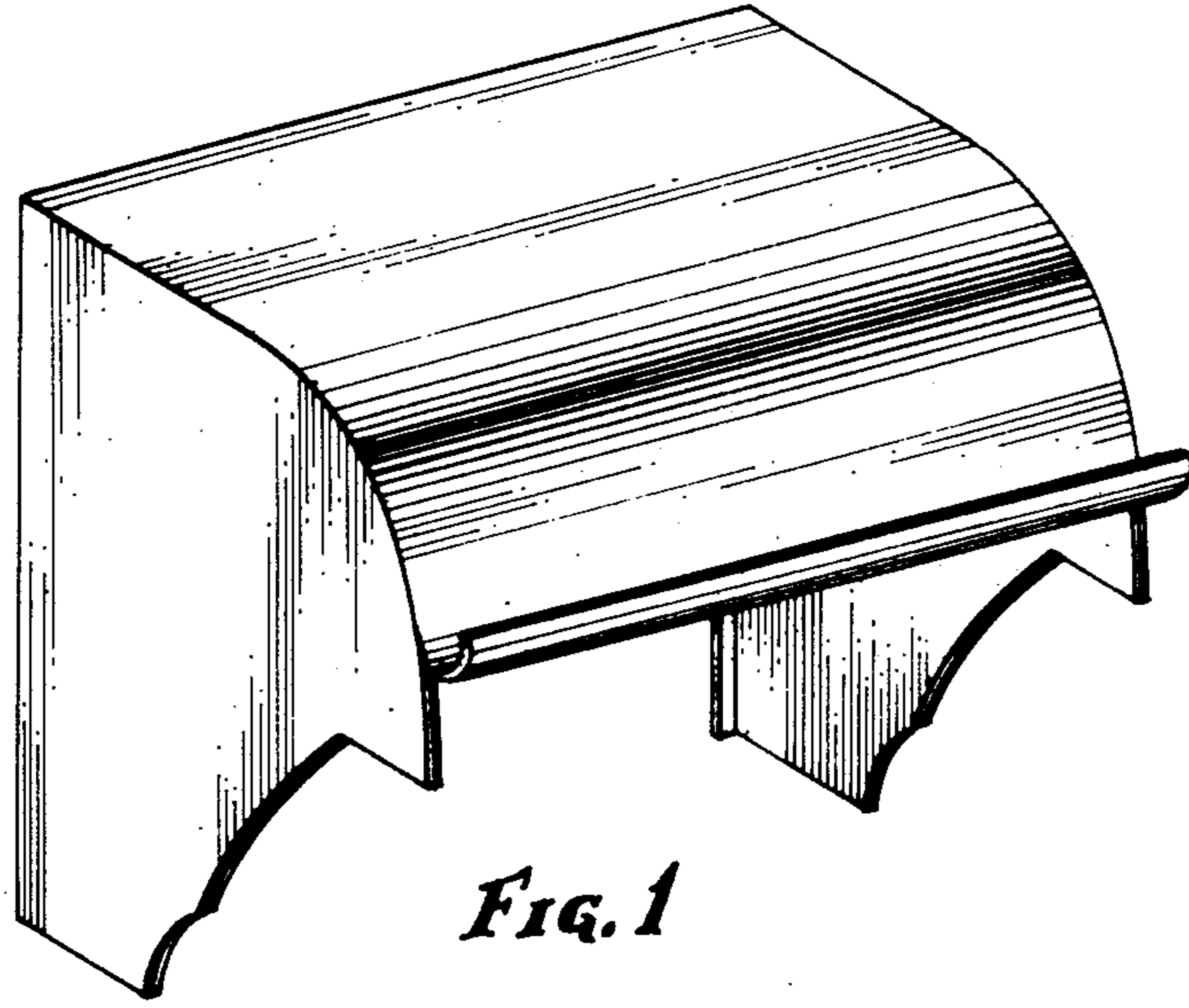


FIG. 1

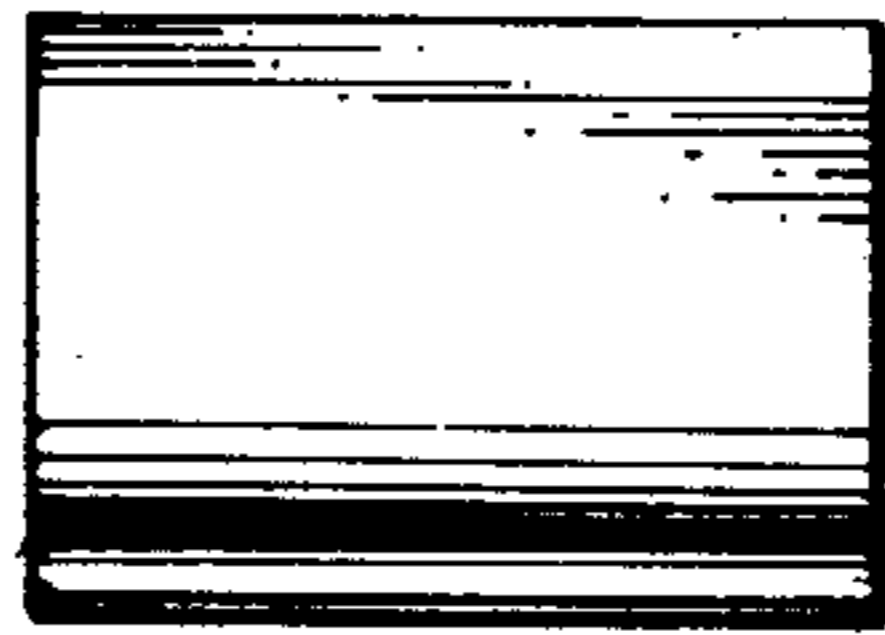


FIG. 2

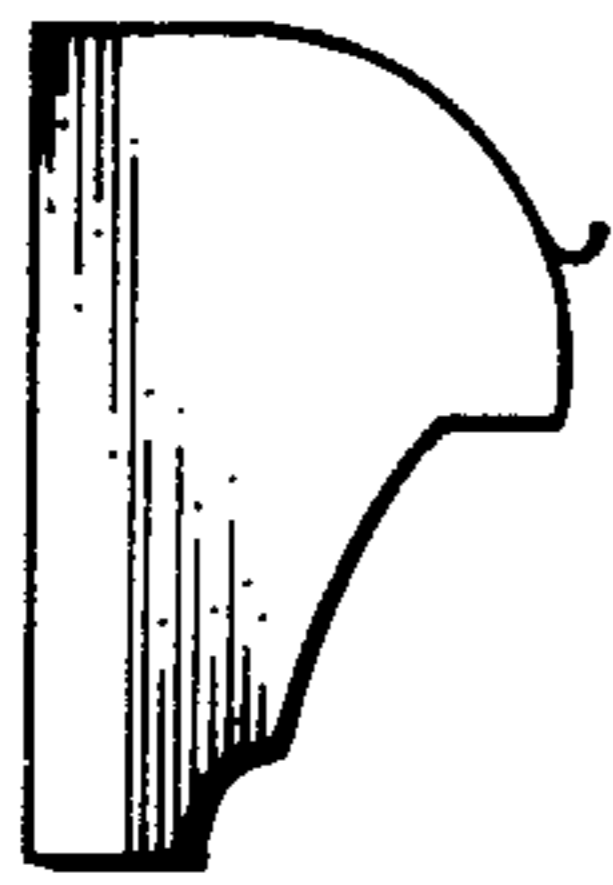


FIG. 3

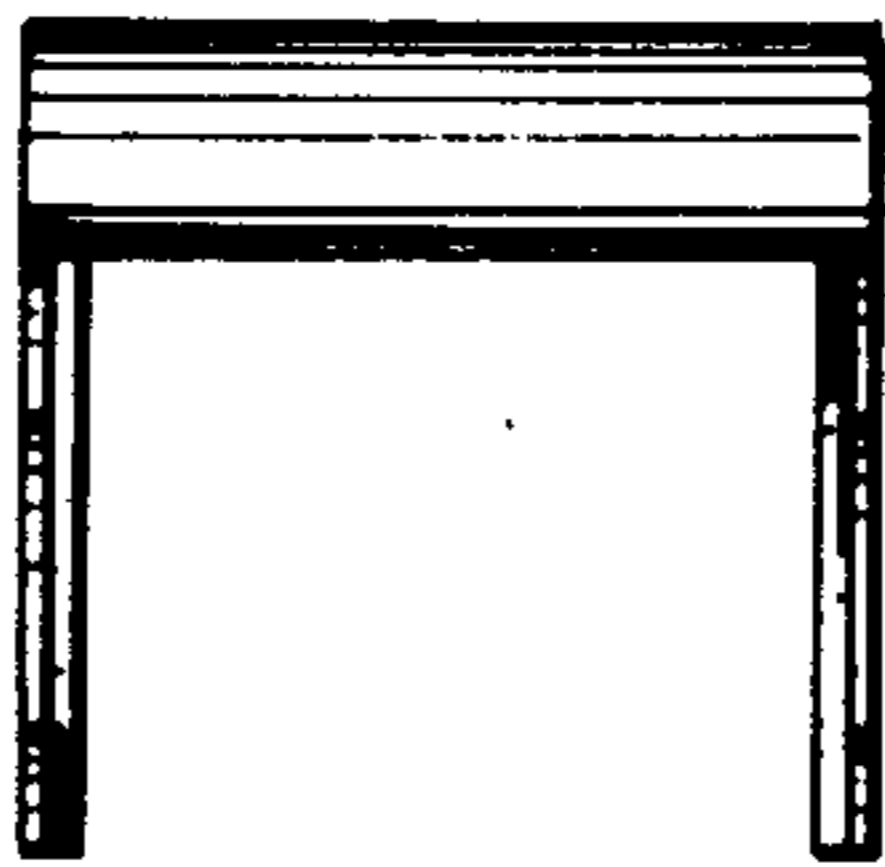


FIG. 4



FIG. 5

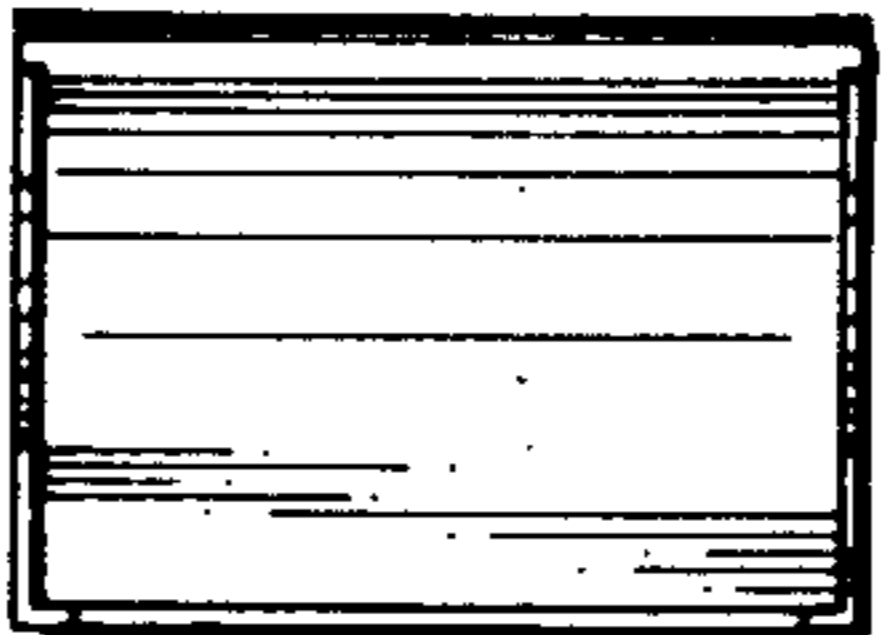


FIG. 6

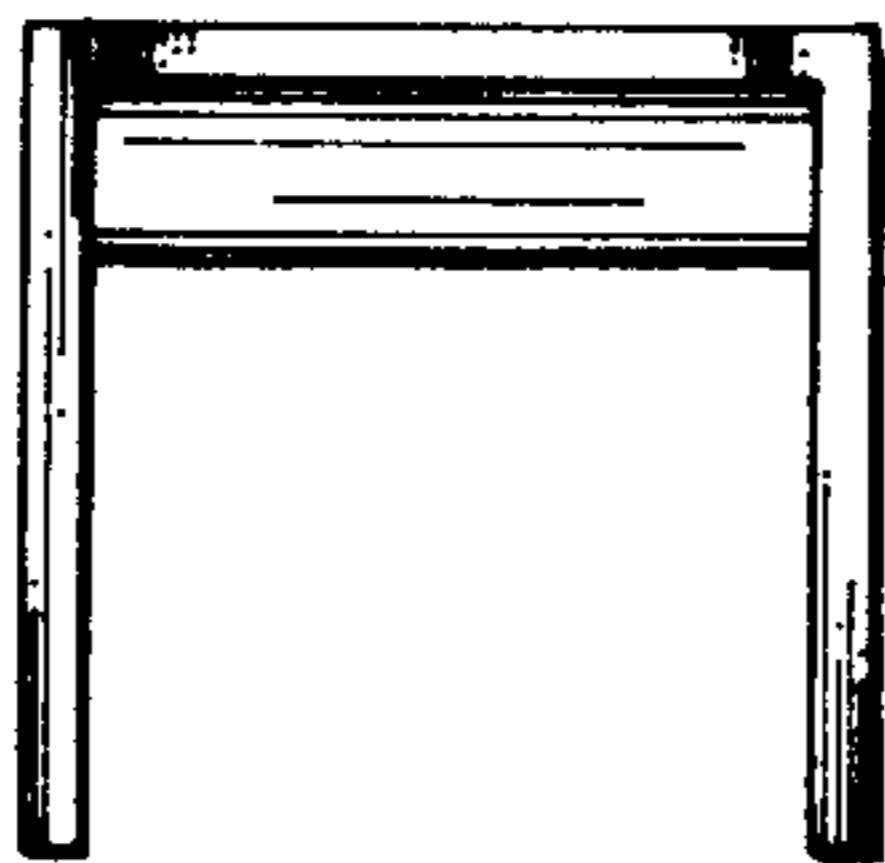


FIG. 7