

[54] FISHING REEL

[75] Inventors: Bertil E. Jansson, Karlshamn; Karl L. O. Carlsson, Asarum, both of Sweden

[73] Assignee: Abu Aktiebolag, Svangsta, Sweden

[**] Term: 14 Years

[21] Appl. No.: 858,498

[22] Filed: Dec. 7, 1977

[30] Foreign Application Priority Data

Jun. 9, 1977 [SE] Sweden 77-1286

[51] Int. Cl. D22-05

[52] U.S. Cl. D22/25

[58] Field of Search D22/25, 26; 242/84.1 R, 242/84.1 J, 84.2 R-84.2 H, 84.21 A, 84.21 R

[56] References Cited

U.S. PATENT DOCUMENTS

- D. 215,599 10/1969 Laszlo D22/25
- D. 235,014 4/1975 Miyakawa et al. D22/25
- 3,296,732 1/1967 Magnus D22/25 X

Primary Examiner—A. Hugo Word
Attorney, Agent, or Firm—Karl W. Flocks

[57] CLAIM

The ornamental design for a fishing reel, as shown and described.

DESCRIPTION

FIG. 1 is a left side view of the fishing reel in the position it occupies when mounted on a fishing rod, i.e. with the foot of the fishing reel mounted at the underside of the fishing rod;

FIG. 2 is a right side view of the fishing reel, i.e., as viewed from the side of the fishing reel opposite to that where the crank is located;

FIG. 3 is a bottom plan view of the fishing reel, as viewed from below in FIG. 1;

FIG. 4 is a top plan view of the fishing reel, as viewed from above in FIG. 1 towards the foot of the fishing reel;

FIG. 5 is a front view of the fishing reel, i.e., as viewed from the left in FIG. 1;

FIG. 6 is a rear view of the fishing reel, i.e., as viewed from the right in FIG. 1.

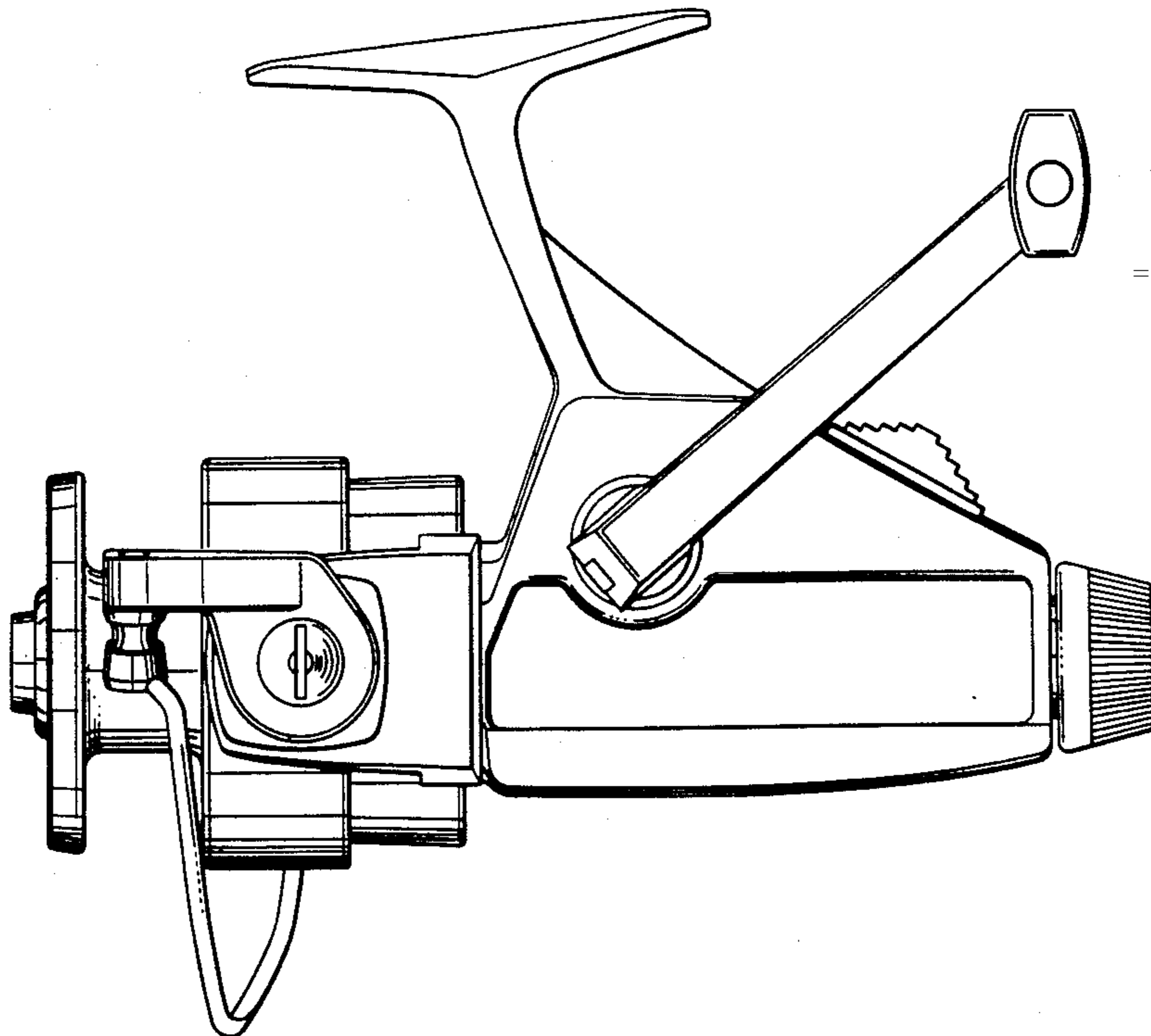


FIG. 1

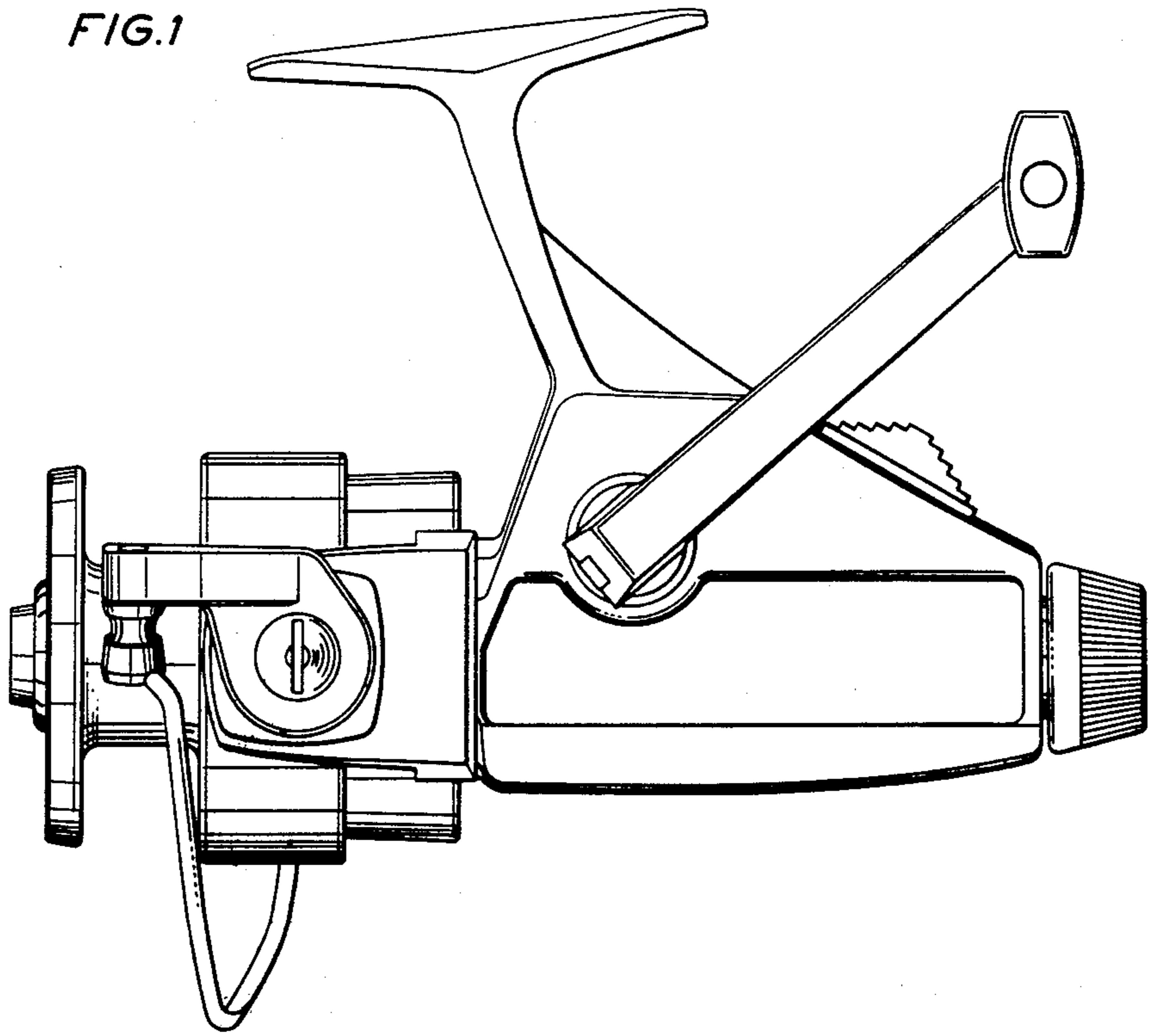


FIG. 2

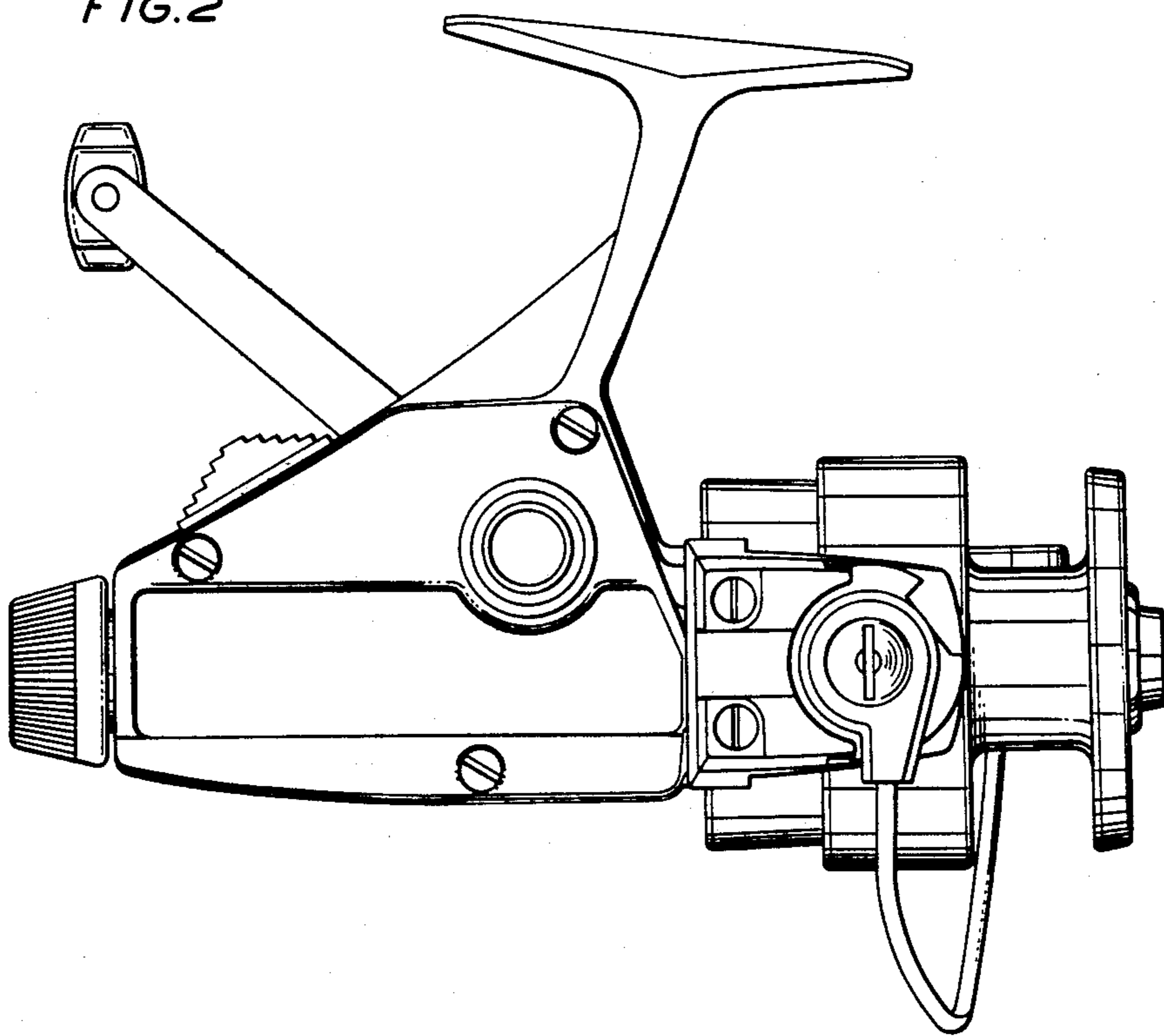


FIG. 3

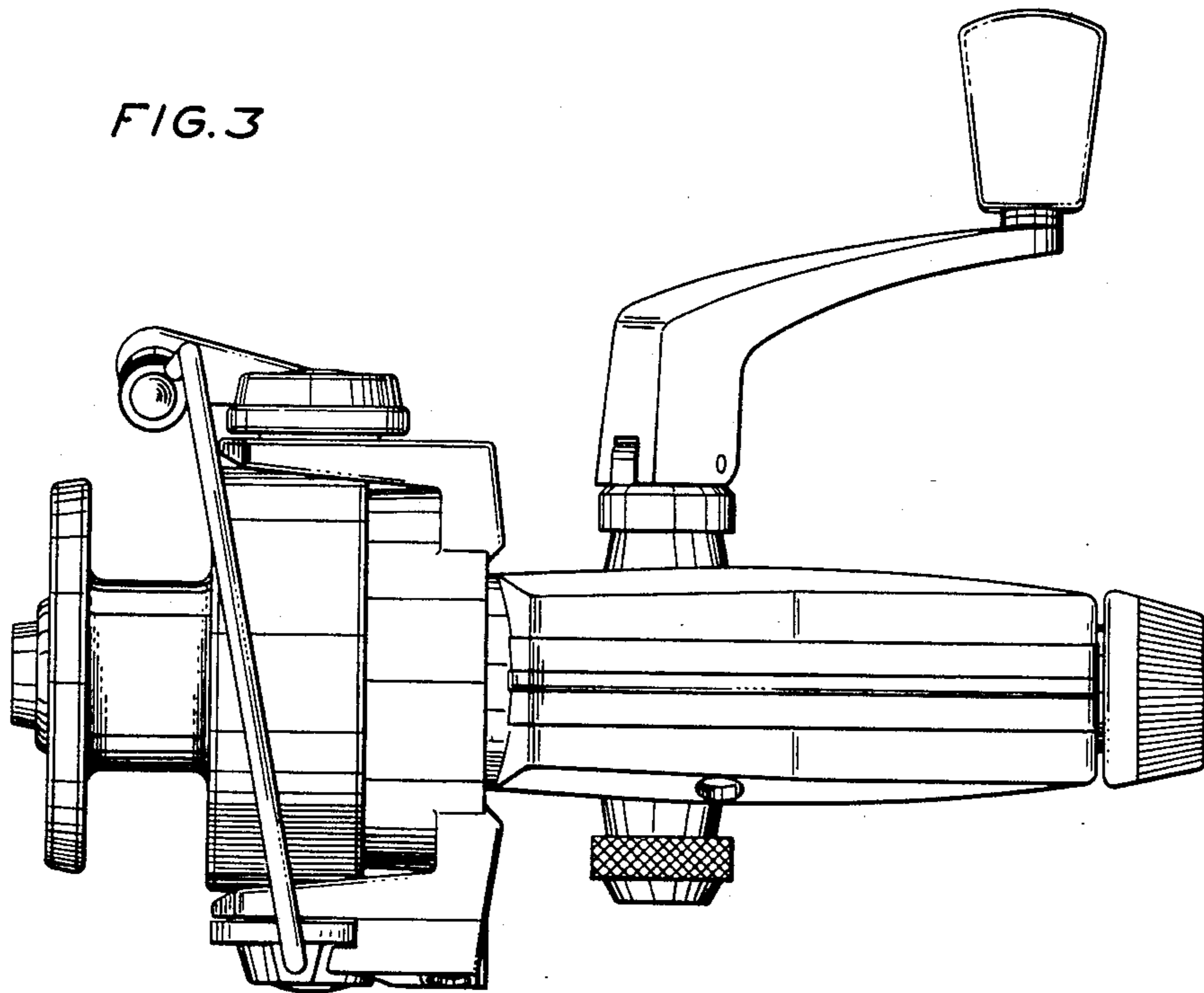


FIG. 4

