

[54] HANDLE FOR A WATER FAUCET

[75] Inventor: **Andreas Haug**, Altensteig, Fed. Rep. of Germany

[73] Assignee: **Hans Grohe GmbH & Co. KG**, Fed. Rep. of Germany

[**] Term: **14 Years**

[21] Appl. No.: **941,332**

[22] Filed: **Sep. 8, 1978**

[30] Foreign Application Priority Data

Mar. 9, 1978 [DE] Fed. Rep. of Germany MR 934 Ob

Apr. 28, 1978 [DE] Fed. Rep. of Germany MR 944 Ob

[51] Int. Cl. **D23-01**

[52] U.S. Cl. **D23/29**

[58] Field of Search **D23/23-32, D23/858; 137/636.4, 801**

[56] References Cited

U.S. PATENT DOCUMENTS

D. 113,398	2/1939	Reinecke	D23/23
D. 199,426	10/1964	Armstrong	D23/29
D. 219,781	1/1971	Niemann	D23/29
D. 223,913	6/1972	Niemann	D23/29
D. 237,494	11/1975	Gustafsson	D23/25

Primary Examiner—James R. Largen
Attorney, Agent, or Firm—J. Rodman Steele, Jr.

[57] CLAIM

The ornamental design for a handle for a water faucet, as shown.

DESCRIPTION

FIG. 1 is a perspective view of a handle for a water faucet showing my new design, FIG. 2 is a side view thereof, FIG. 3 is a top plan view thereof, FIG. 4 is a rear view thereof, and FIG. 5 is a front view thereof.

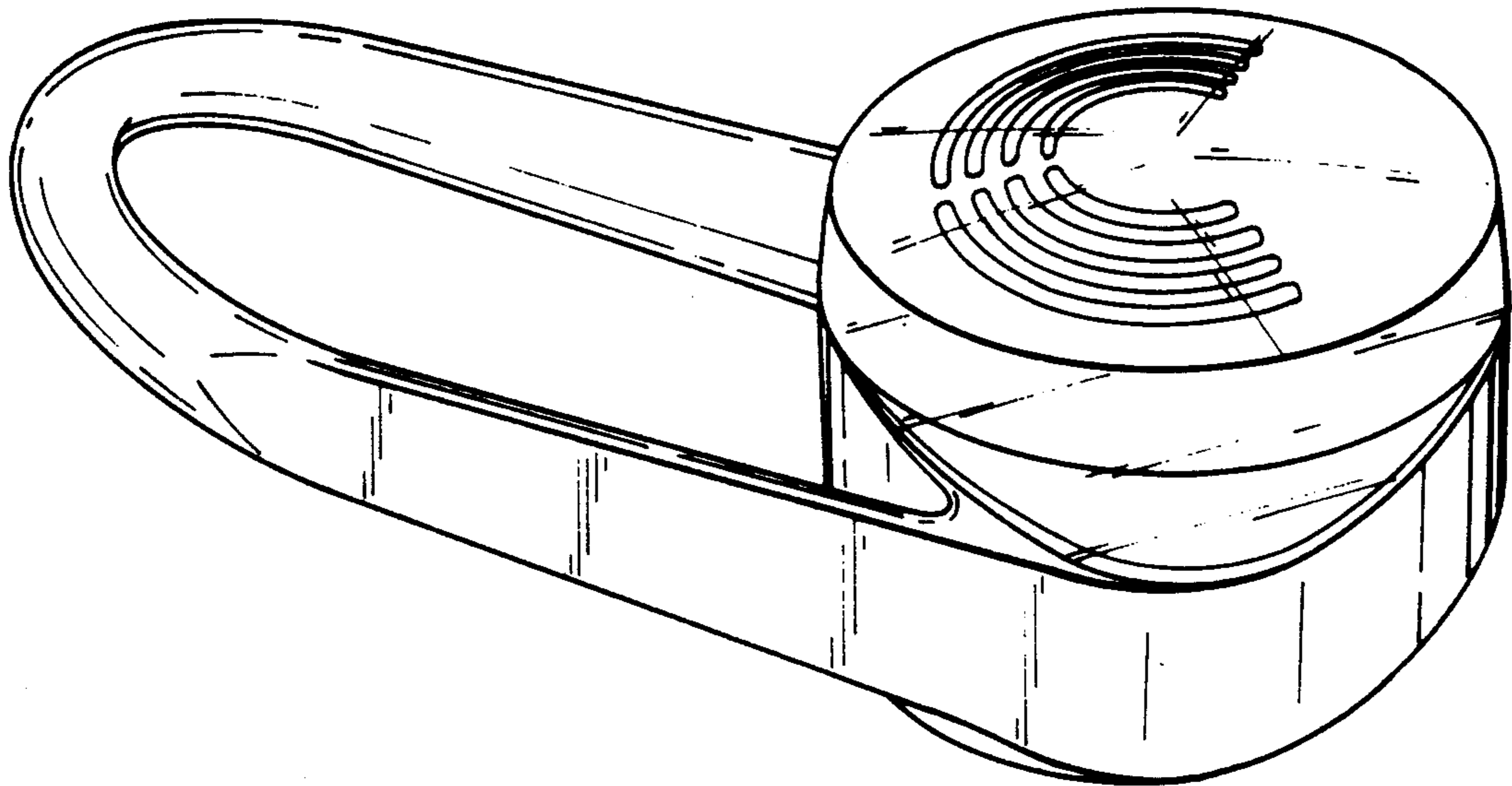


FIG. 1

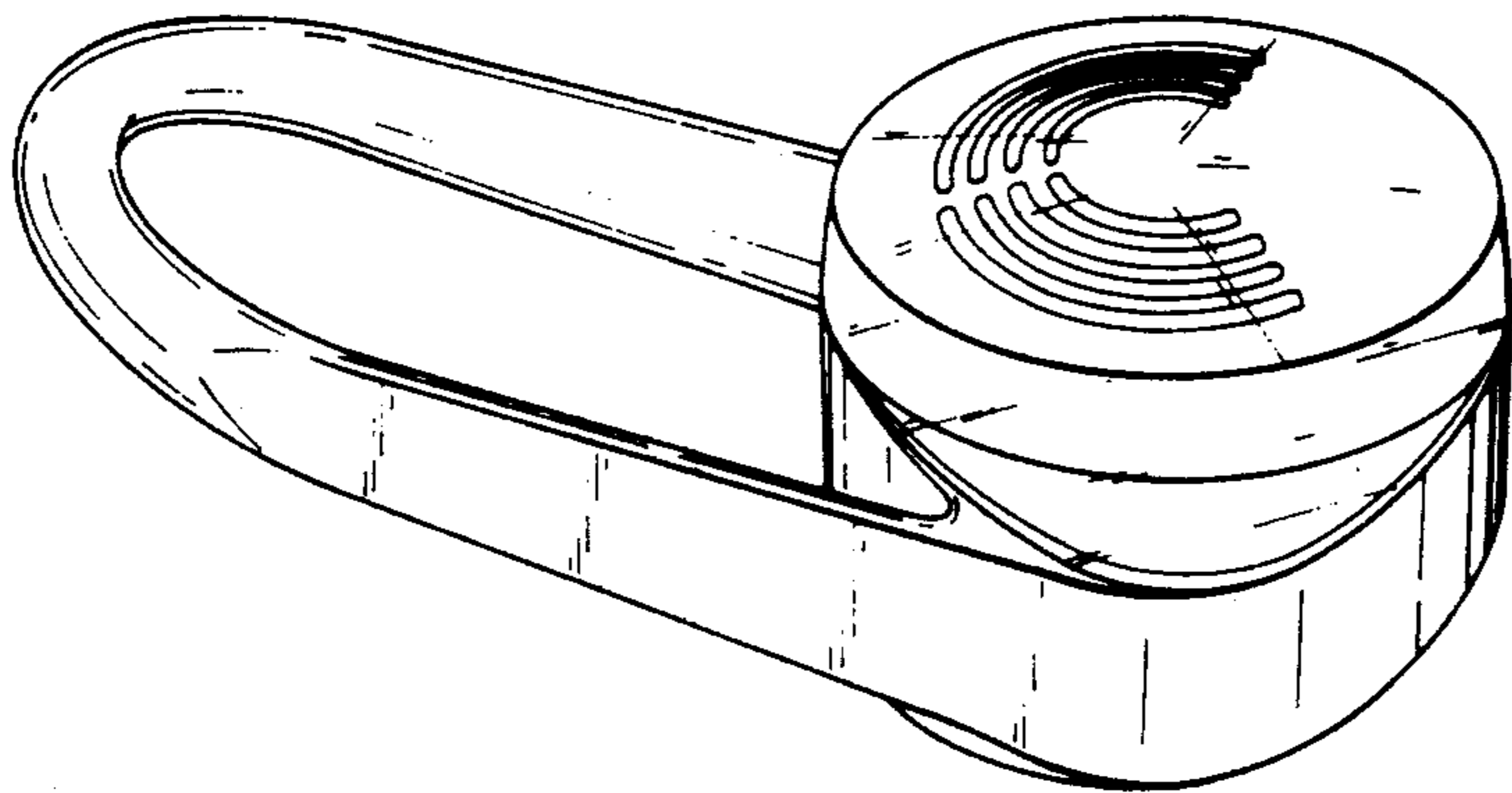


FIG. 2

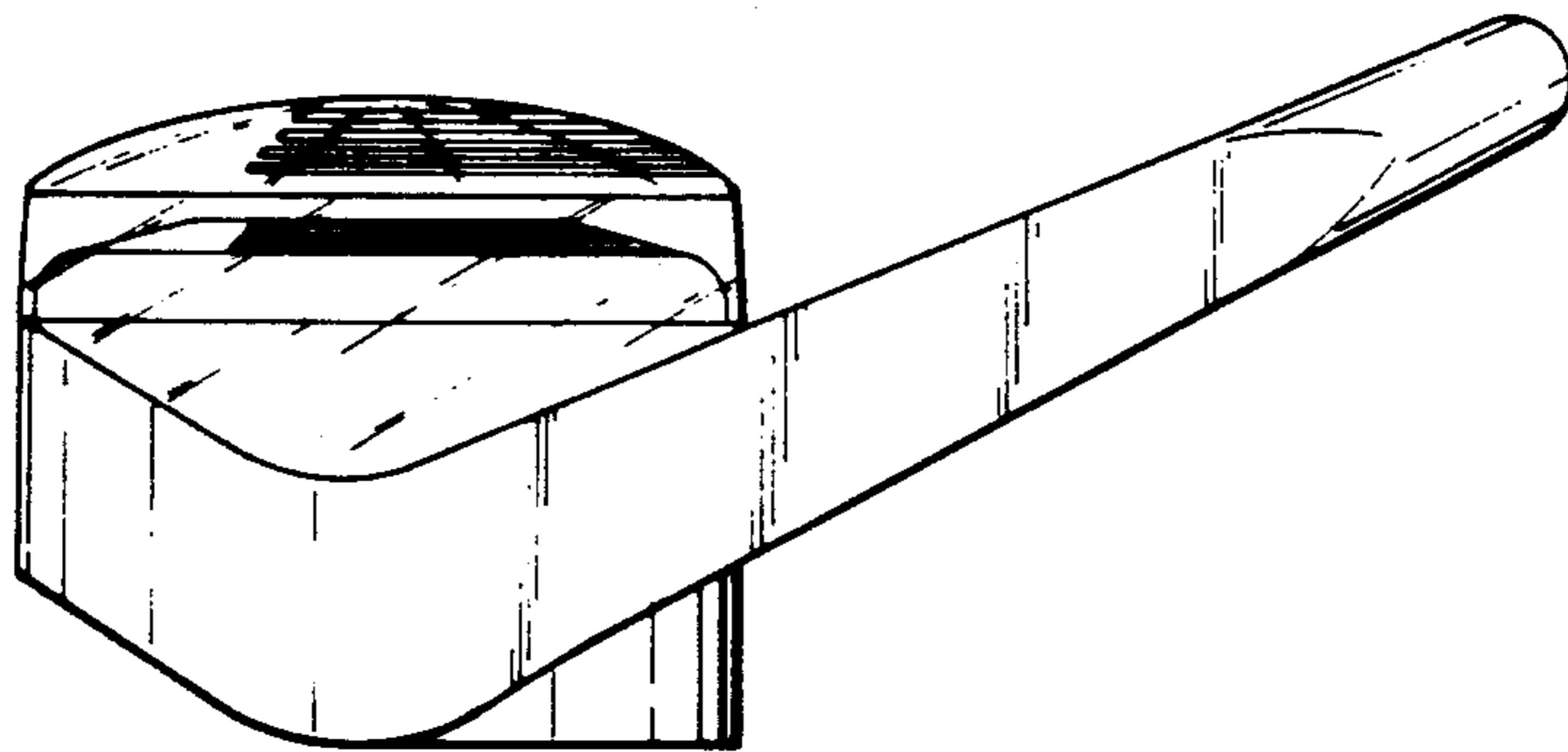


FIG. 3

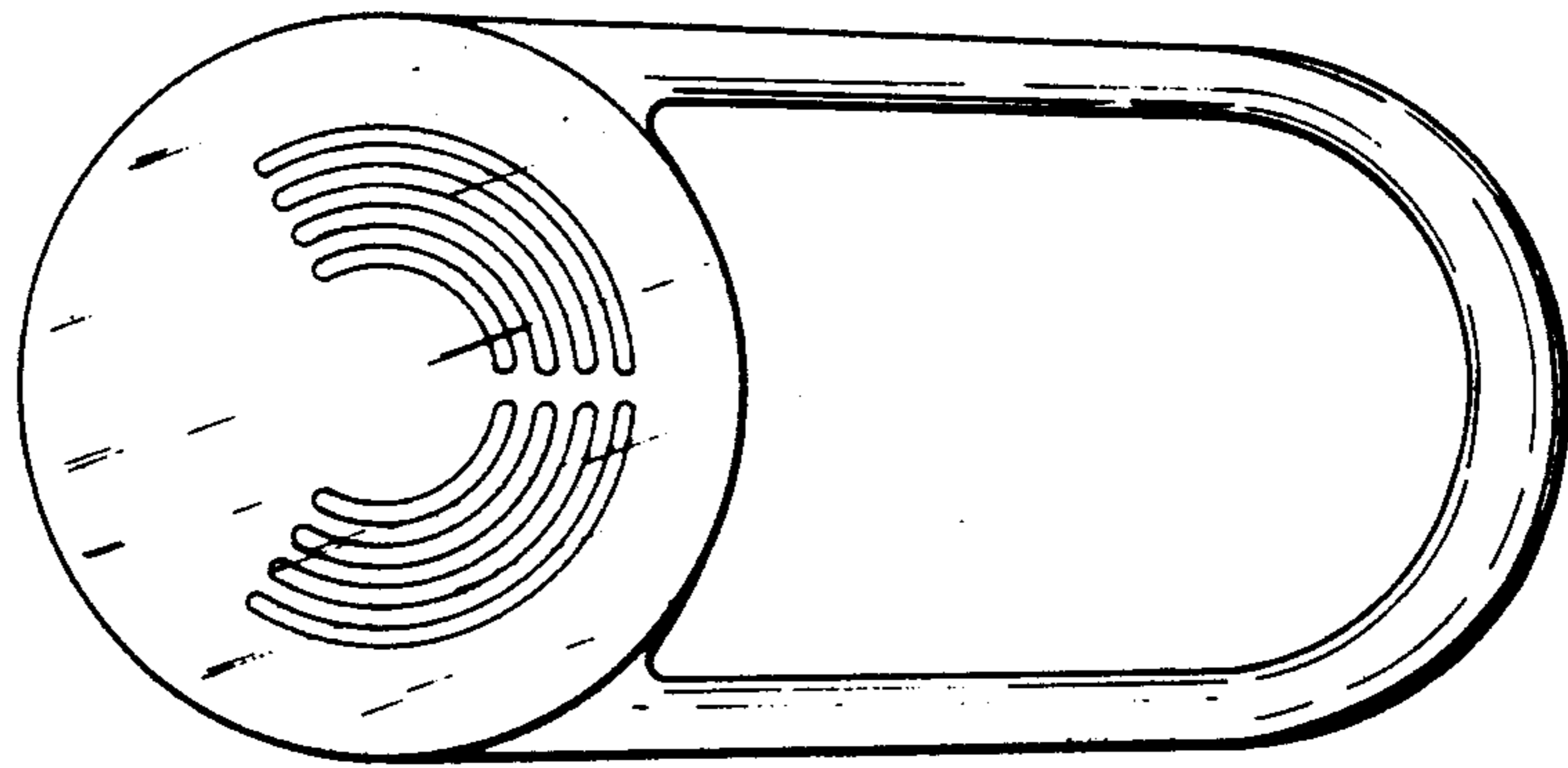


FIG. 4

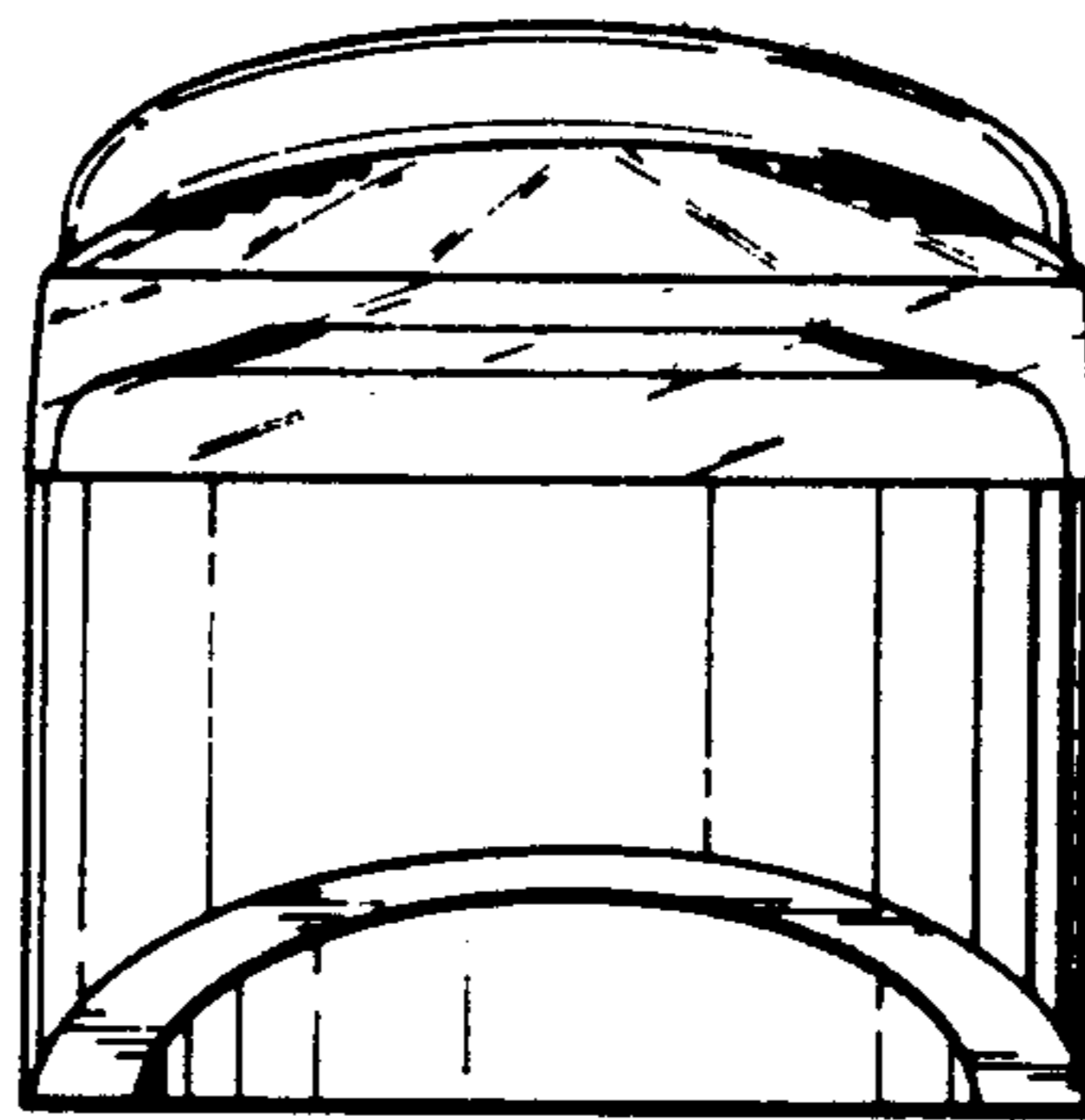


FIG. 5

