

[54] TOY SPACECRAFT

[75] Inventors: **Joseph Johnston**, North Hollywood;
Colin Cantwell, Newhall, both of Calif.

[73] Assignee: **Twentieth Century-Fox Film Corporation**

[**] Term: **14 Years**

[21] Appl. No.: **832,518**

[22] Filed: **Sep. 12, 1977**

[51] Int. Cl. **D21-01**

[52] U.S. Cl. **D21/87**

[58] Field of Search **D34/15 HH, 15 HR, 15 PP;**
46/74 R, 74 A, 74 D, 53, 58; 272/31 A;
D12/71, 72; D21/87

[56] **References Cited**

U.S. PATENT DOCUMENTS

D. 162,790	4/1951	Christman	D34/15 HH
D. 178,629	9/1956	Beach	D34/15 HR
D. 198,249	5/1964	Sleeman et al.	D12/71

OTHER PUBLICATIONS

Design News, 3-1957, p. 77, Aircraft.

Primary Examiner—Joel Stearman

Assistant Examiner—Charles A. Rademaker

Attorney, Agent, or Firm—Michael A. Painter

[57] **CLAIM**

The ornamental design for a toy spacecraft, substantially as shown.

DESCRIPTION

FIG. 1 is a front perspective view of a toy spacecraft showing our new design;

FIG. 2 is a rear perspective view thereof; and,

FIG. 3 is a front elevational view thereof.

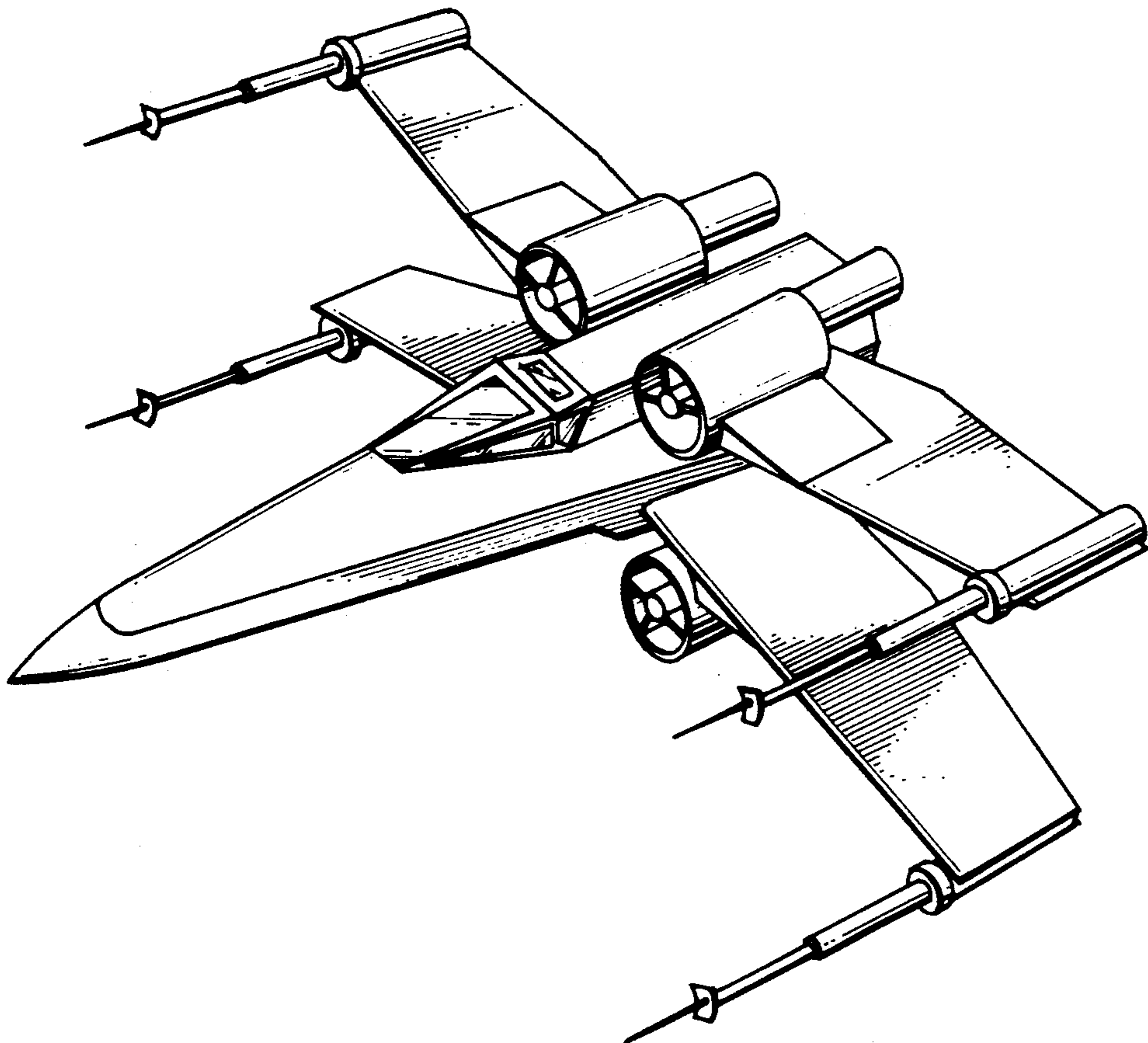


Fig. 1.

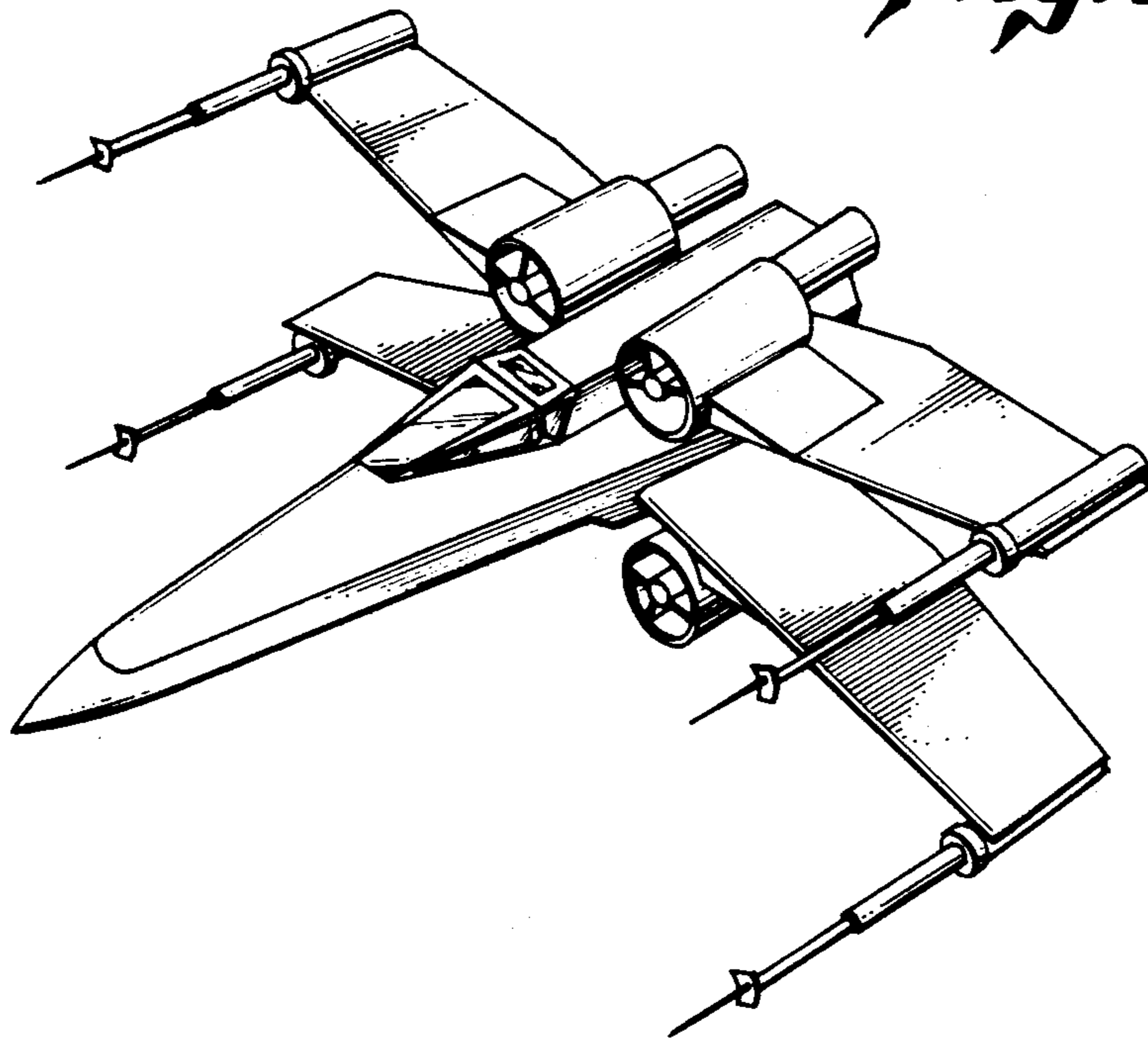


Fig. 2.

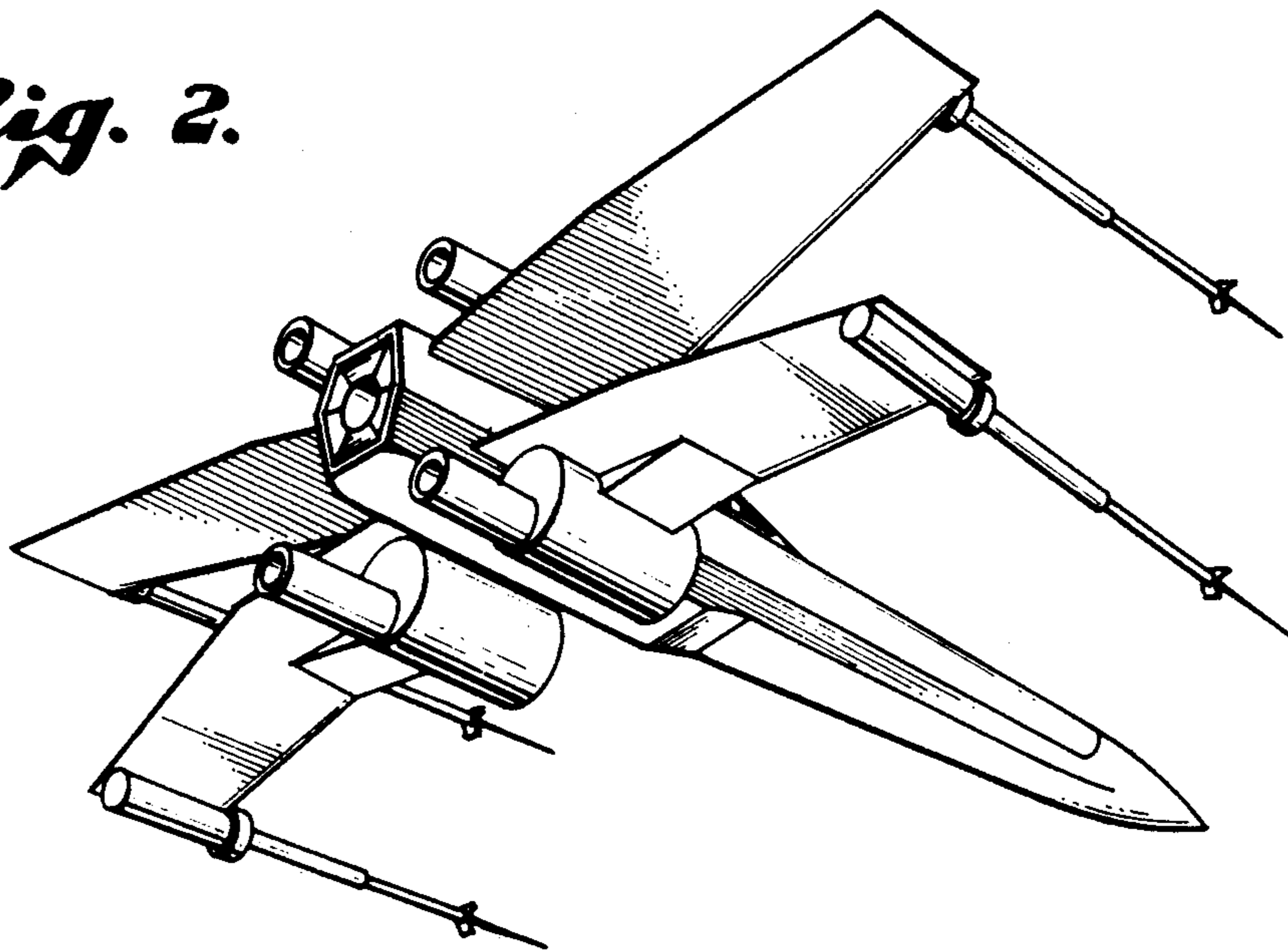


Fig. 3.

