

[54] ATTACHABLE HOLDER FOR TOOLS AND ACCESSORIES FOR A PRINTING PRESS OR THE LIKE

[76] Inventor: Benjamin J. Berghoff, 16344 Vintage St., Sepulveda, Calif. 91343

[**] Term: 14 Years

[21] Appl. No.: 852,309

[22] Filed: Nov. 17, 1977.

[51] Int. Cl. D18-99

[52] U.S. Cl. D18/22; D7/38; D15/140

[58] Field of Search D18/22; D19/85; D3/30; D15/140; D7/38; 211/60 R, 60 T, 69

[56]

References Cited

U.S. PATENT DOCUMENTS

D. 199,565	11/1964	Jones et al.	D19/85 X
D. 212,644	11/1968	Nesteriak	D15/140
3,250,422	5/1966	Parish	D7/38 X

Primary Examiner—Louis S. Zarfes
Attorney, Agent, or Firm—Allan M. Shapiro

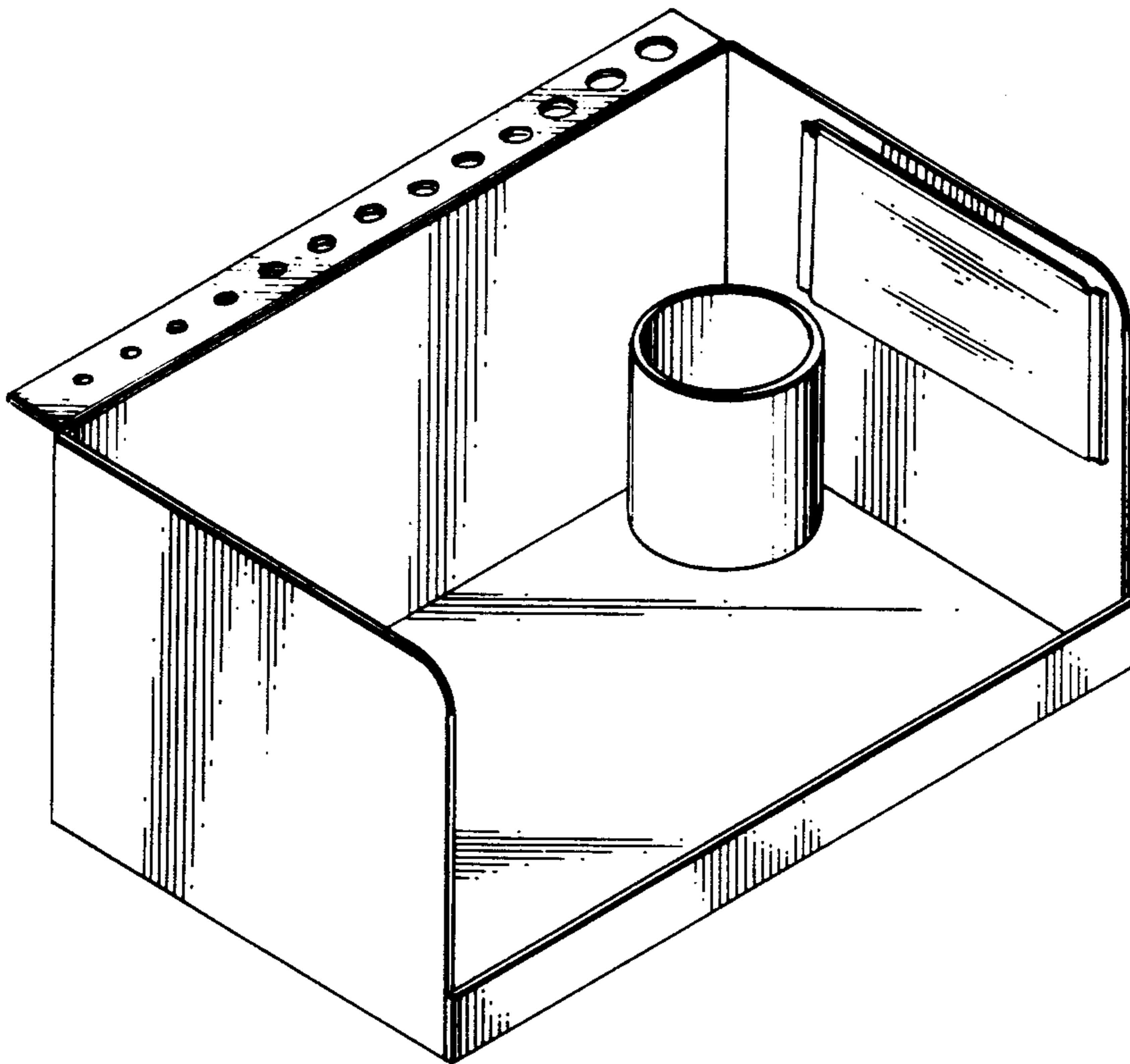
[57]

CLAIM

The ornamental design for a attachable holder for tools and accessories for a printing press or the like, substantially as shown.

DESCRIPTION

FIG. 1 is a perspective view of a attachable holder for tools and accessories for a printing press or the like, showing my new design;
FIG. 2 is another perspective view thereof;
FIG. 3 is a right side elevational view thereof;
FIG. 4 is a top plan view thereof; and
FIG. 5 is a rear elevational view thereof.



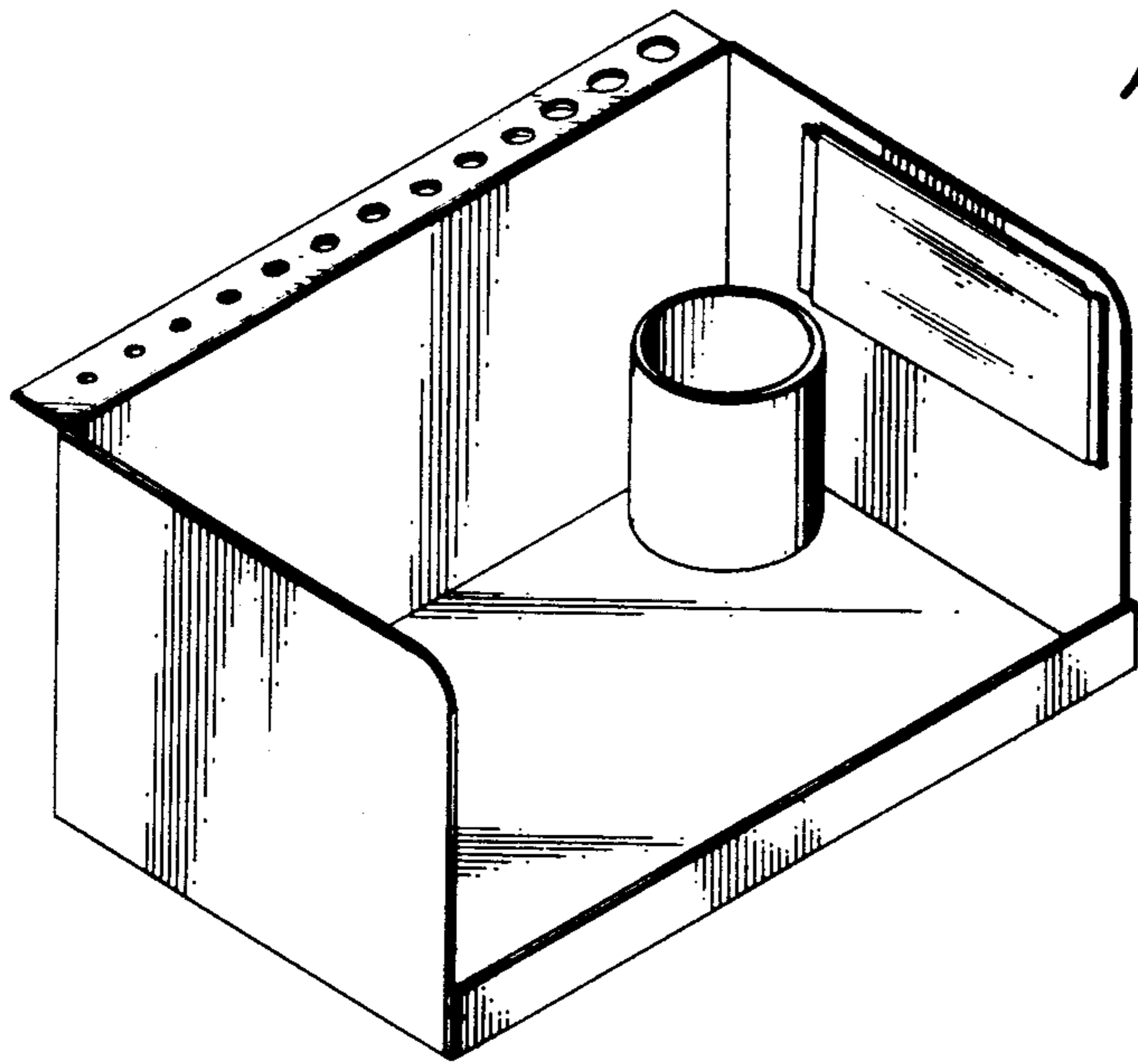


FIG. 1

FIG. 2

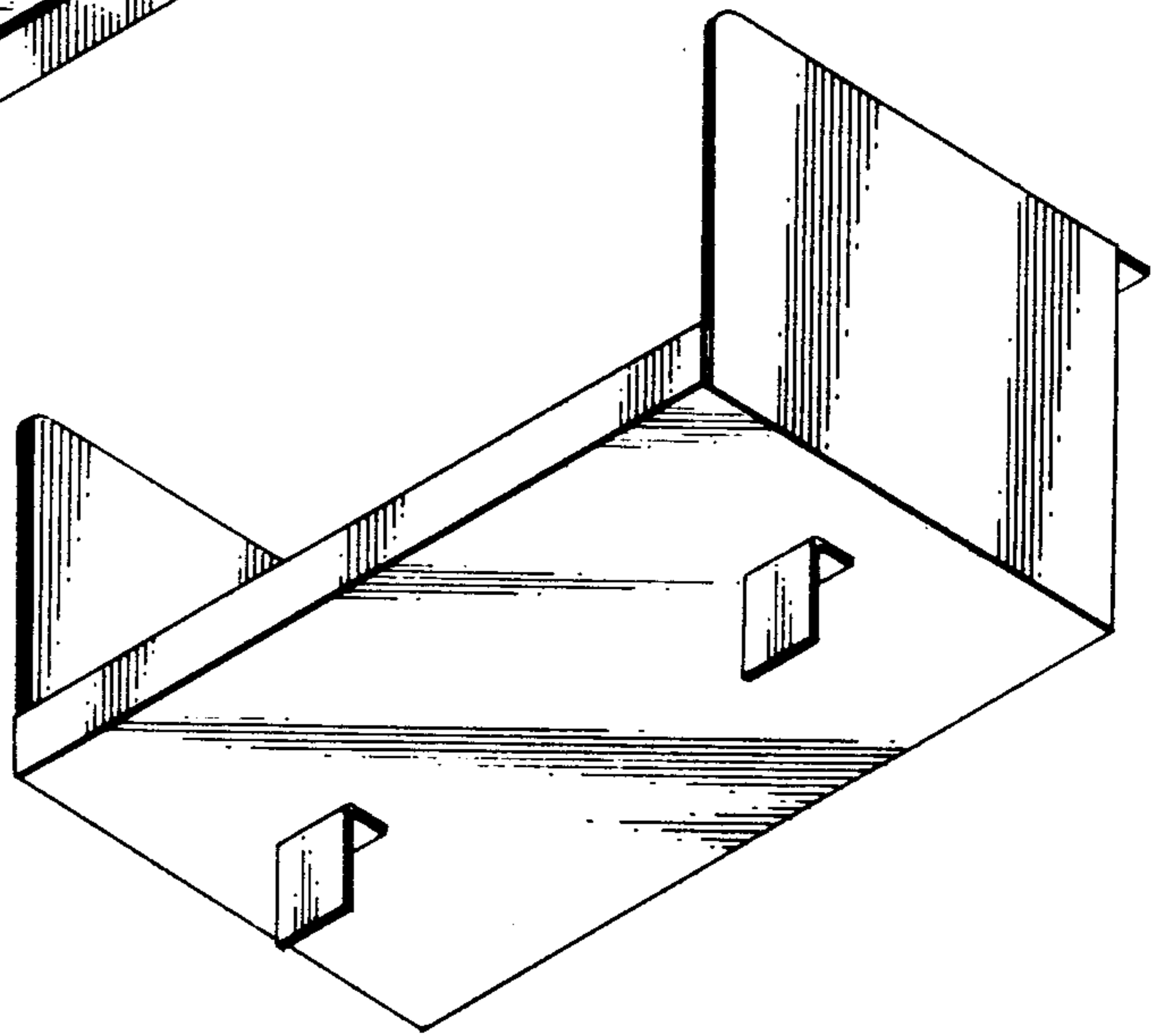


FIG. 3

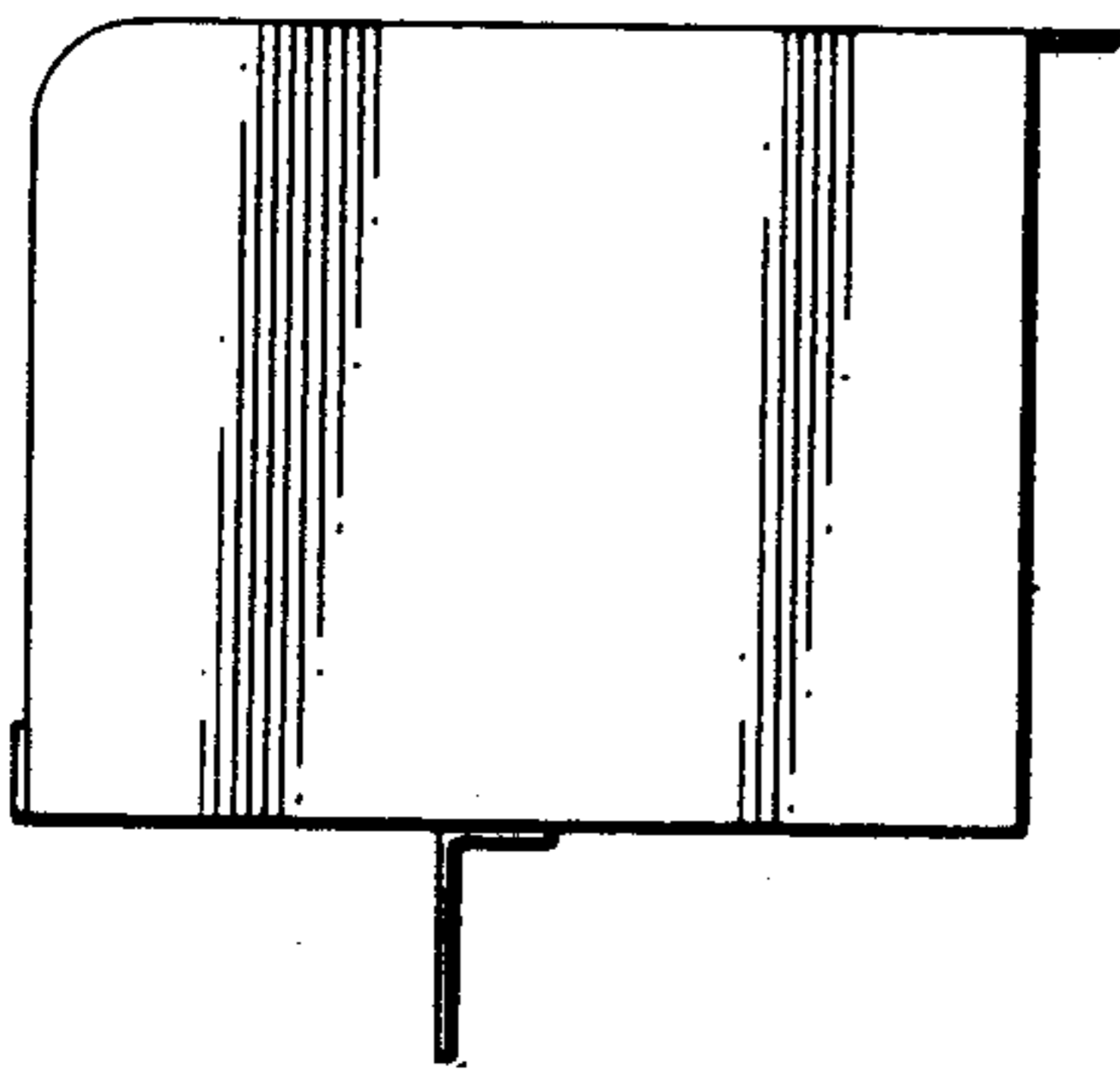


FIG. 4

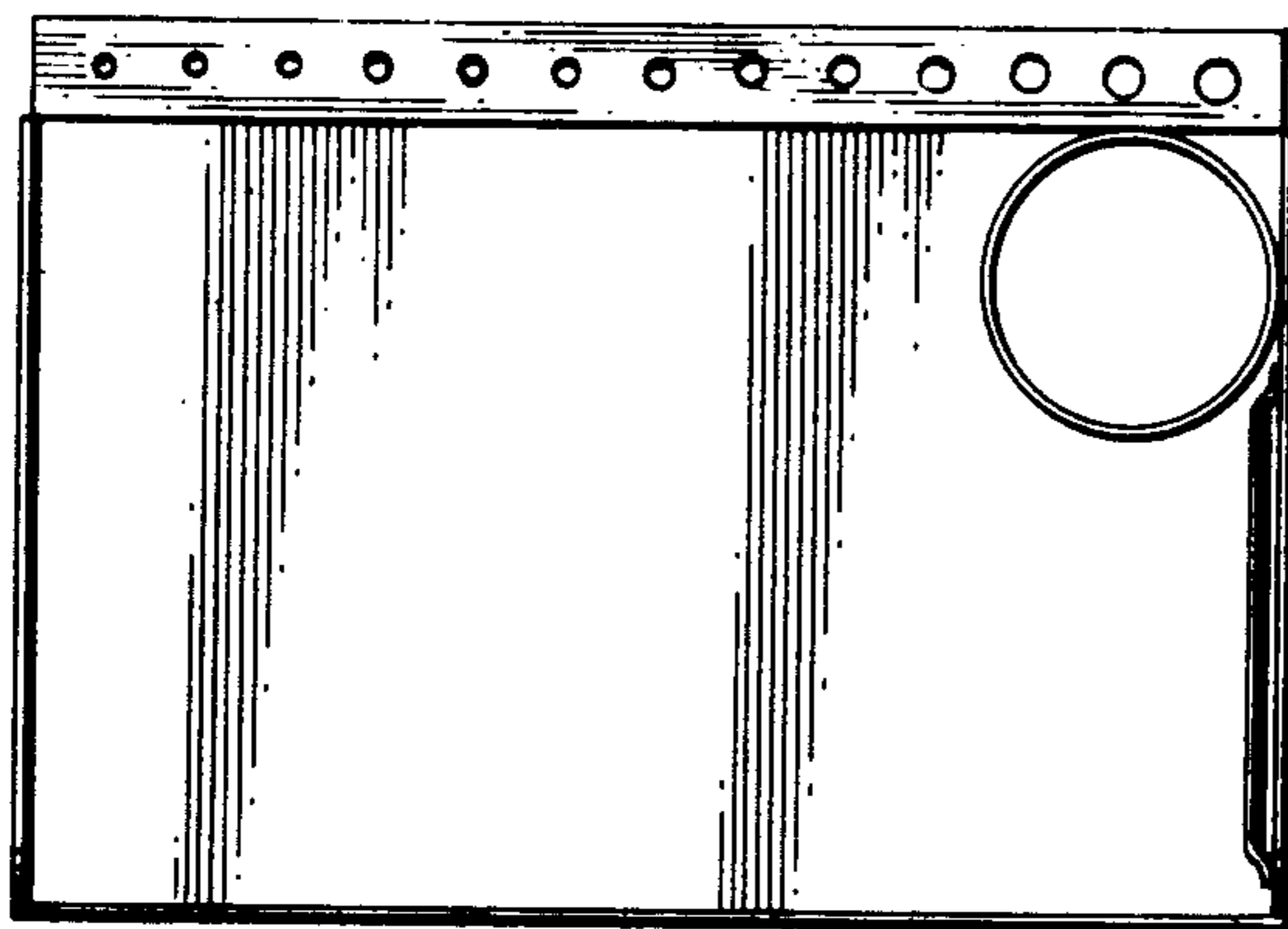


FIG. 5

