

[54] MALFUNCTION DISPLAY PANEL FOR XEROGRAPHIC COPYING MACHINE

[75] Inventors: Fred J. Breitenkam, Randolph; James E. Landrith, Andover, both of N.J.

[73] Assignee: Van Dyk Research Corporation, Whippany, N.J.

[**] Term: 14 Years

[21] Appl. No.: 891,946

[22] Filed: Mar. 30, 1978

[51] Int. Cl. D16-03

[52] U.S. Cl. D16/32

[58] Field of Search 40/541, 542, 543, 544, 40/564; 340/366 R, 366 CA, 366 A, 366 G, 366 E, 378.1-378.6, 380, 381; 355/3 R; D16/32

[56] References Cited

U.S. PATENT DOCUMENTS

3,309,712	3/1967	Cole	40/544 X
3,573,792	4/1971	Reed	340/381 X
3,717,117	2/1973	Stanley	340/381 X

3,887,913 6/1975 Smith 340/381

Primary Examiner—Wallace R. Burke
Assistant Examiner—Catherine Kemper
Attorney, Agent, or Firm—Arthur L. Lessler

[57] CLAIM

The ornamental design for a malfunction display panel for xerographic copying machine, substantially as shown and described.

DESCRIPTION

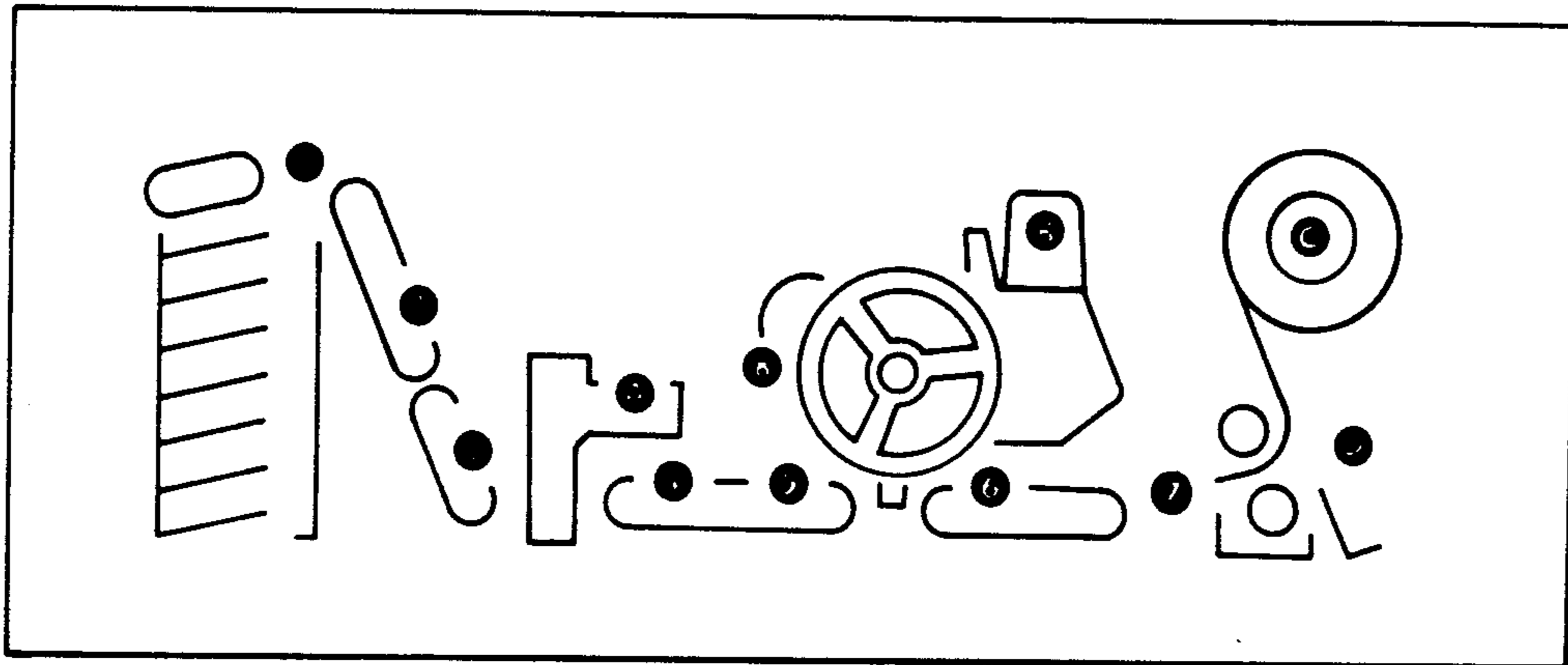
FIG. 1 is a front elevational view of a malfunction display panel for xerographic copying machine, showing our new design;

FIG. 2 is a rear elevation view thereof;

FIG. 3 is a top plan view thereof, the bottom plan view being a mirror image of said top plan view; and

FIG. 4 is a left side elevation thereof, the right side elevation view being a mirror image of said left side view.

The lines shown on the front surface in FIG. 1 indicate transparent areas on an otherwise opaque surface. The black circles indicate transparent areas within which opaque letters and numerals are located.



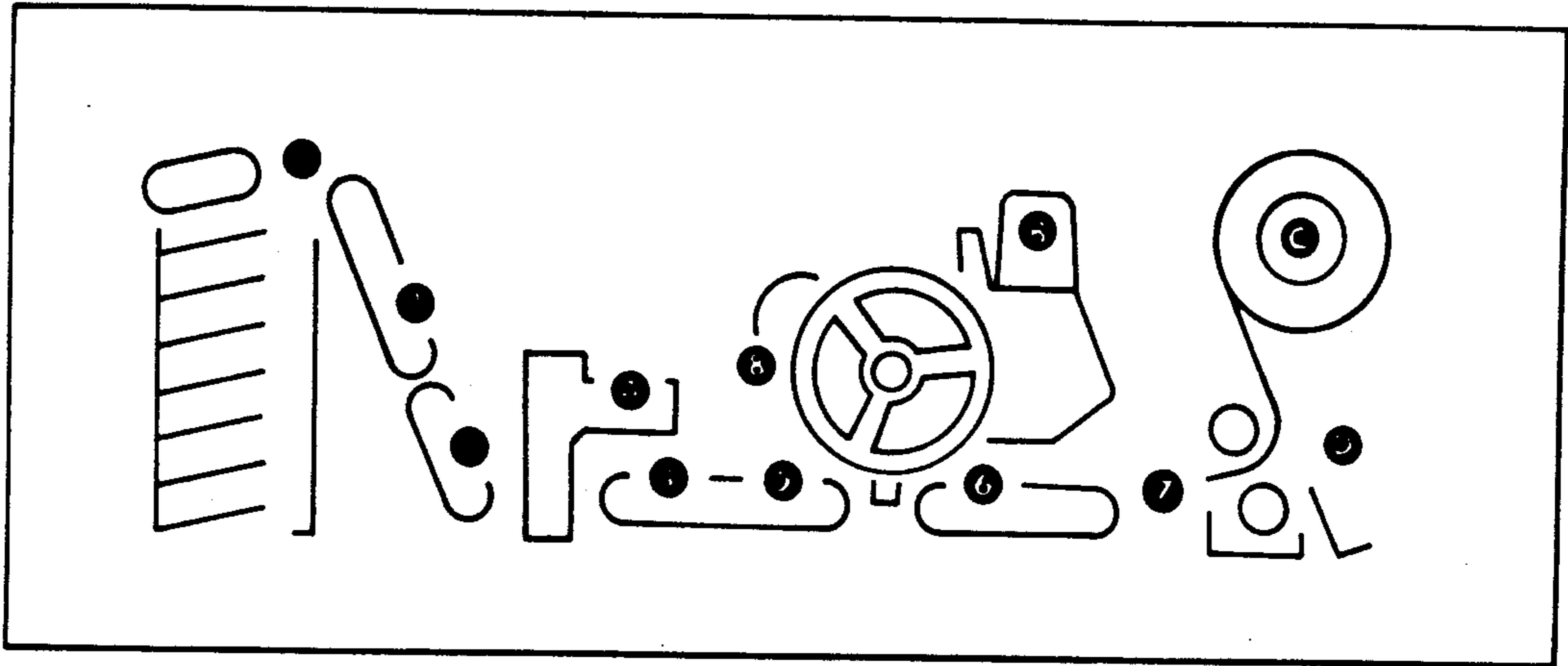


FIG. 1

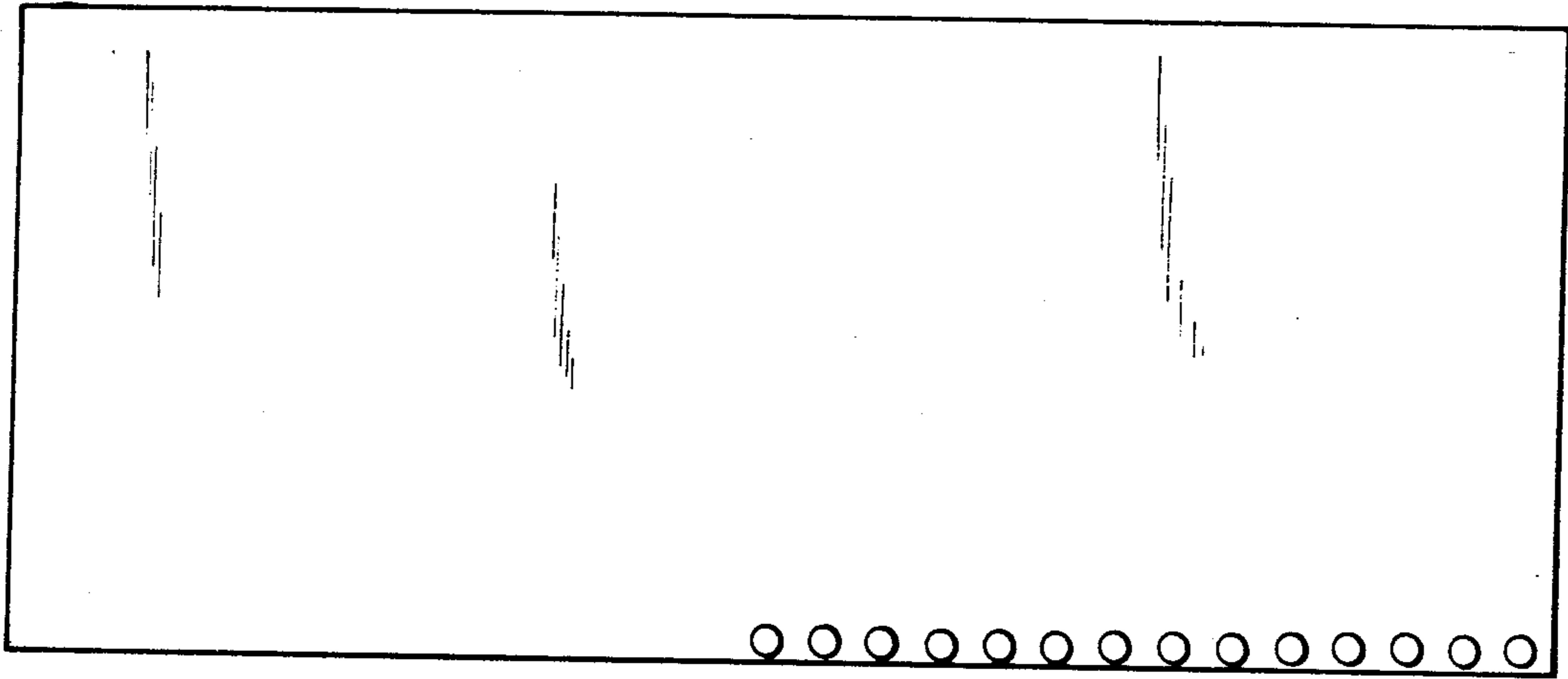


FIG. 2



FIG. 3



FIG. 4