

[54] FACSIMILE WITH TRANSCEIVER

[75] Inventor: Yasuhiro Saito, Tokyo, Japan

[73] Assignee: Ricoh Company, Ltd., Japan

[**] Term: 7 Years

[21] Appl. No.: 820,806

[22] Filed: Aug. 1, 1977

[30] Foreign Application Priority Data

Jan. 31, 1977 [JP] Japan 52-2885

[51] Int. Cl. D14-01; D14-03

[52] U.S. Cl. D14/94

[58] Field of Search D14/94, 95; 178/30, 178/36, 29; 346/108; 358/256, 289, 257, 288; 250/333, 229; 179/4

[56] References Cited

U.S. PATENT DOCUMENTS

D. 211,354 6/1968 McFarland D14/94

D. 215,218	9/1969	Plantholt	D14/94
D. 219,593	12/1970	Priessnetz	D14/94
2,406,811	9/1946	Deloraine et al.	178/30
2,523,400	9/1950	Thompson	358/286
3,432,613	3/1969	Saeger et al.	358/257

Primary Examiner—Bernard Ansher

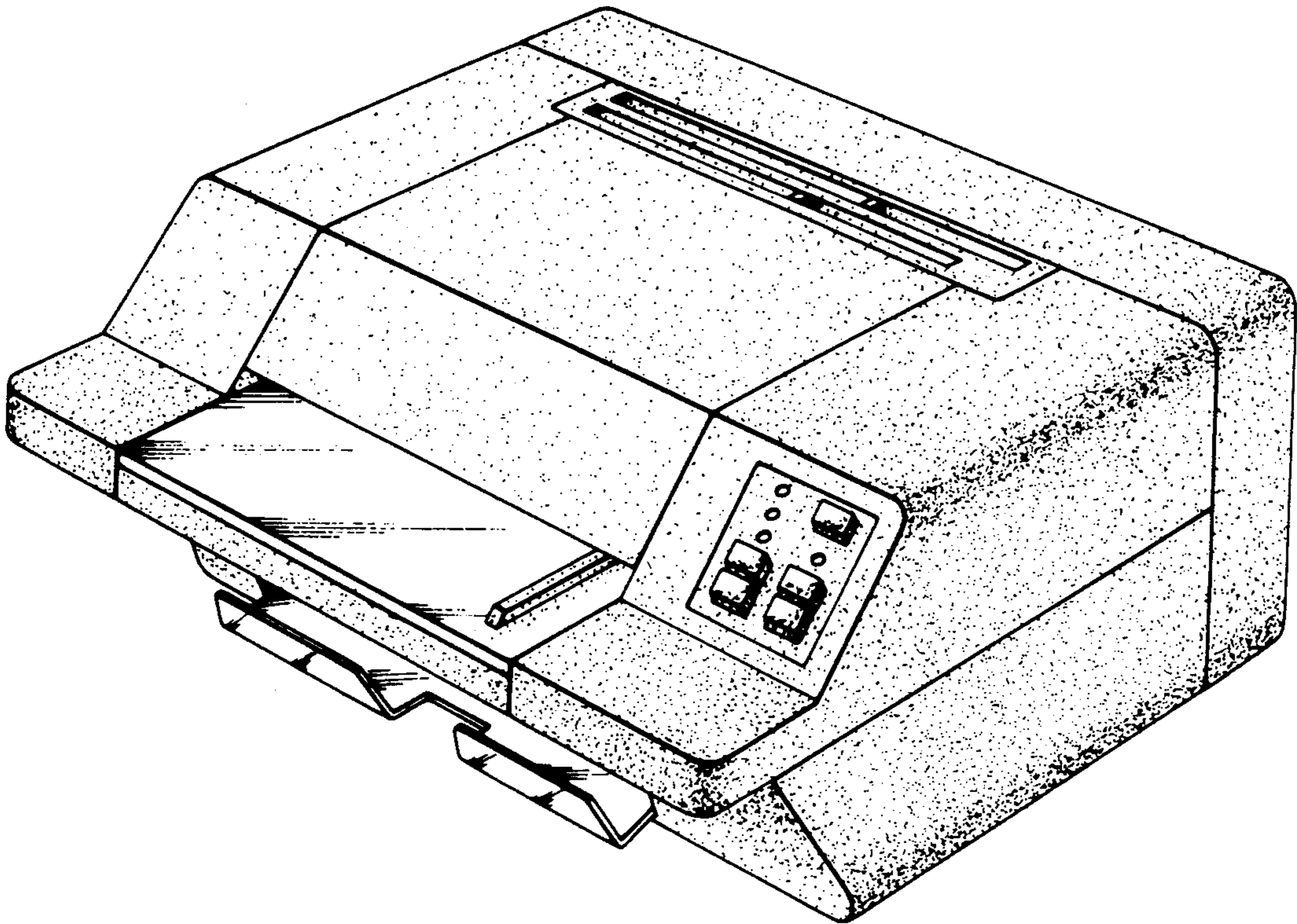
Attorney, Agent, or Firm—John J. McGlew

[57] CLAIM

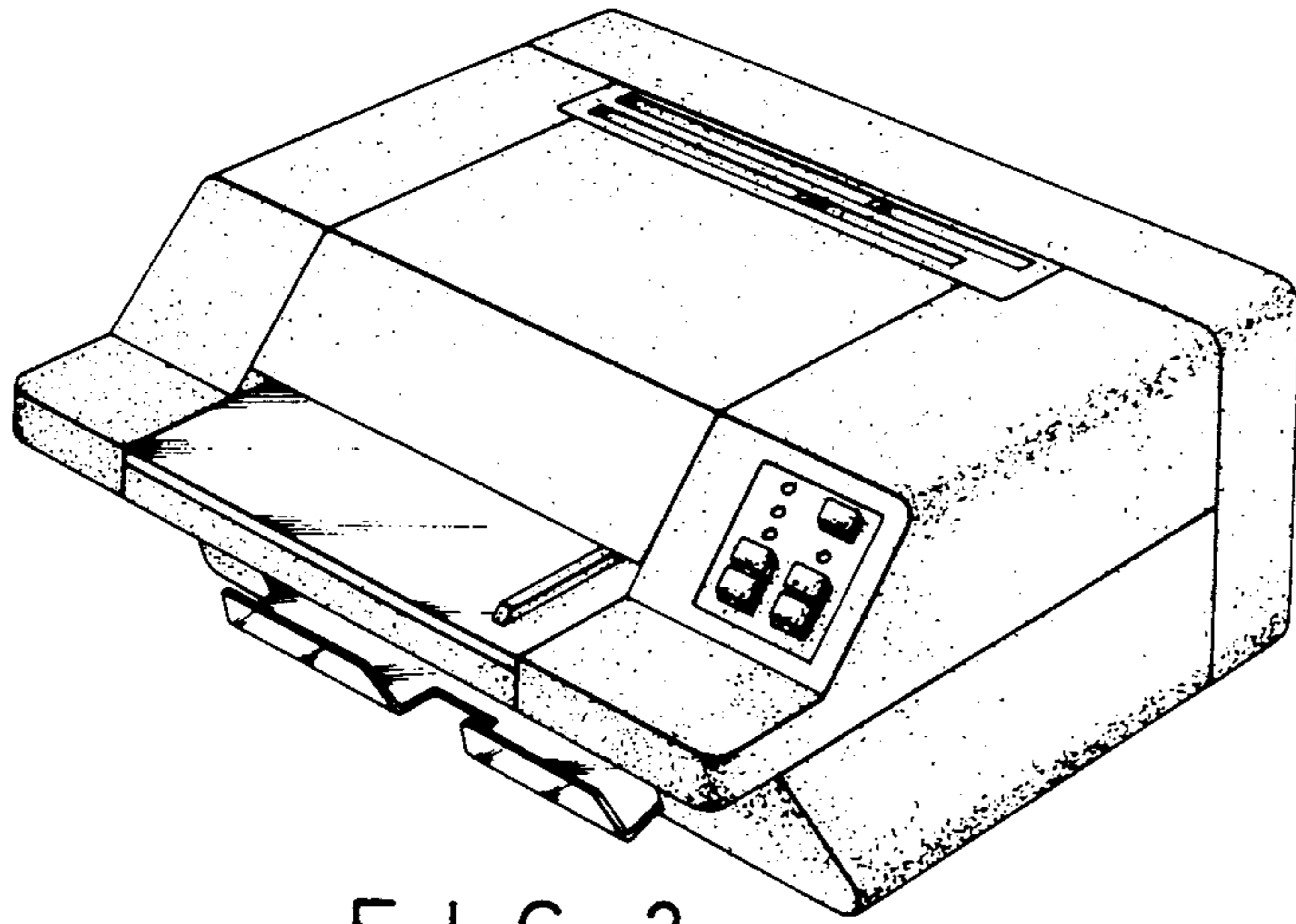
The ornamental design for a facsimile with transceiver, as shown.

DESCRIPTION

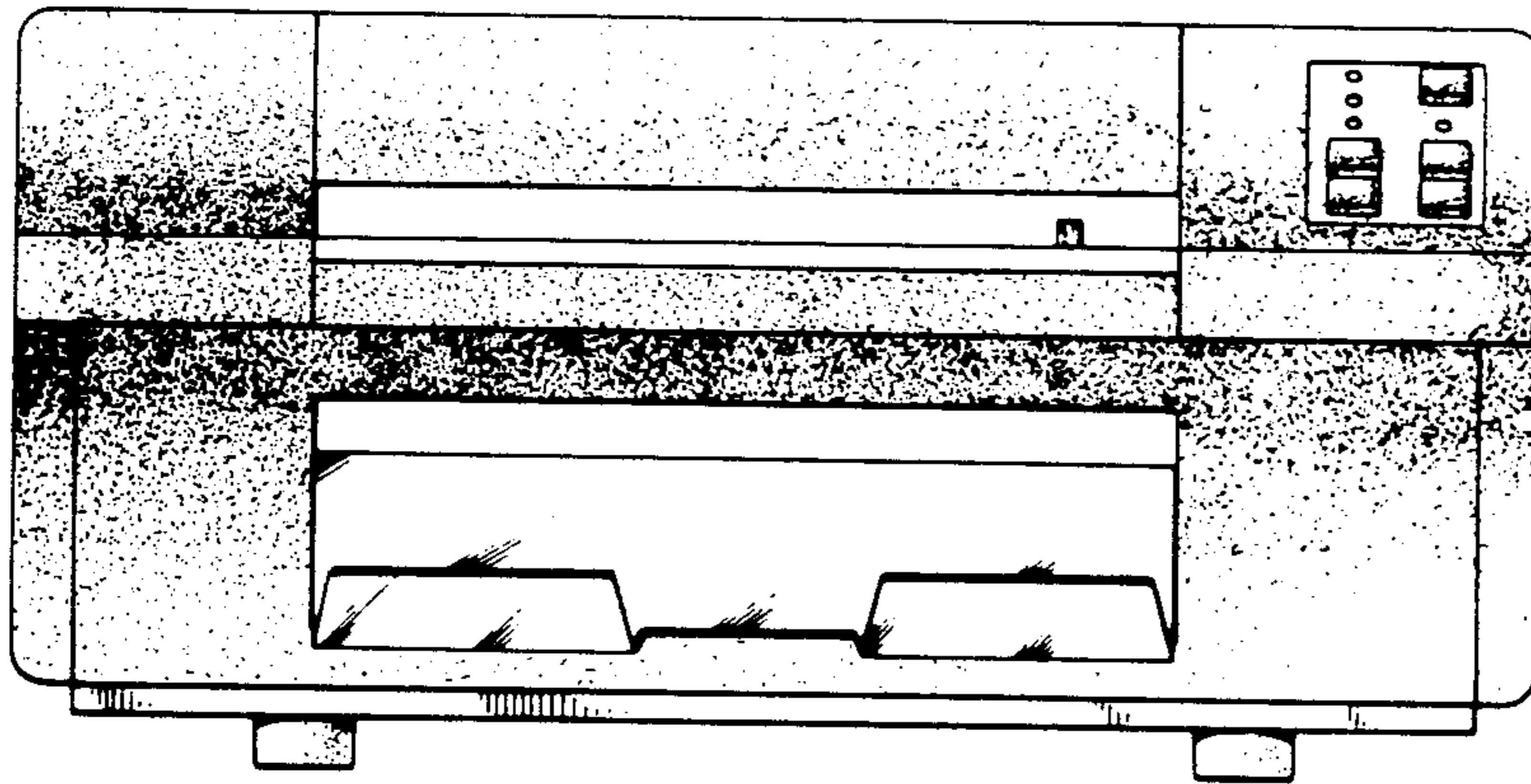
FIG. 1 is a front, top and right side perspective view of a facsimile with transceiver showing my new design; FIG. 2 is a front elevational view of the facsimile with transceiver shown in FIG. 1; FIG. 3 is a top plan view thereof; FIG. 4 is a right side elevational view thereof; FIG. 5 is a left side elevational view thereof; FIG. 6 is a rear elevational view thereof; and FIG. 7 is a bottom plan view thereof.



F I G . 1



F I G . 2



F I G . 4

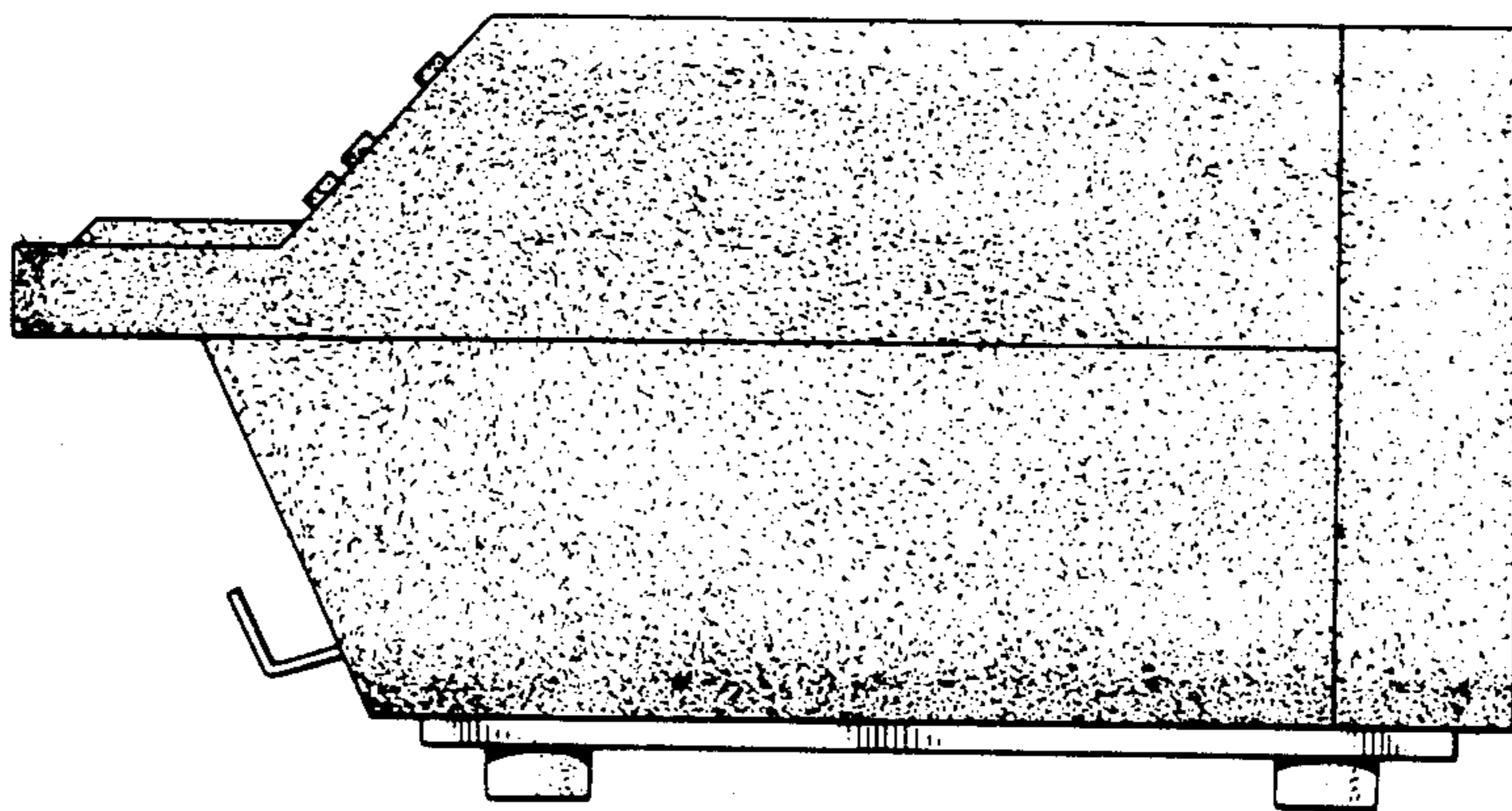


FIG. 5

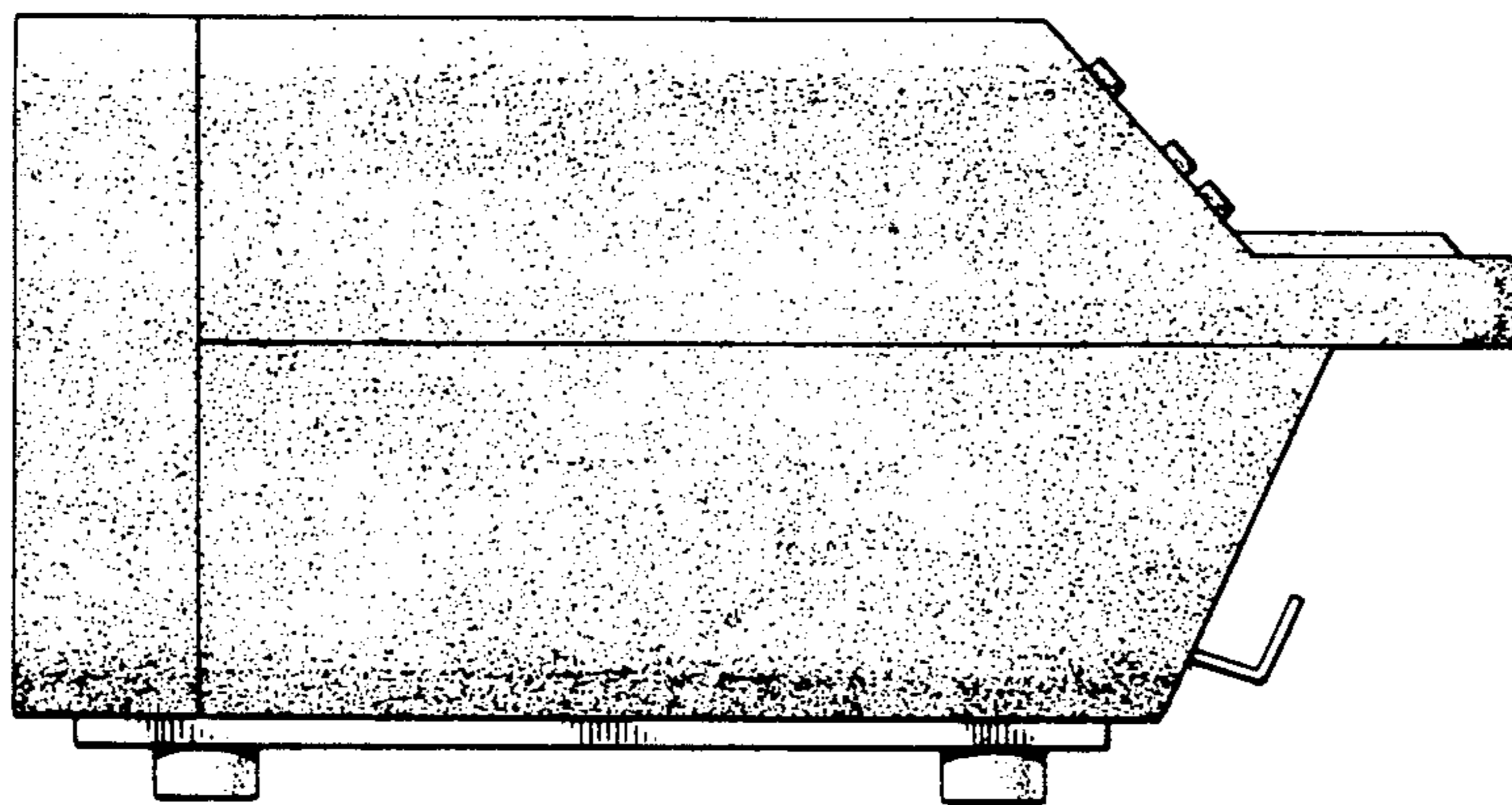


FIG. 3

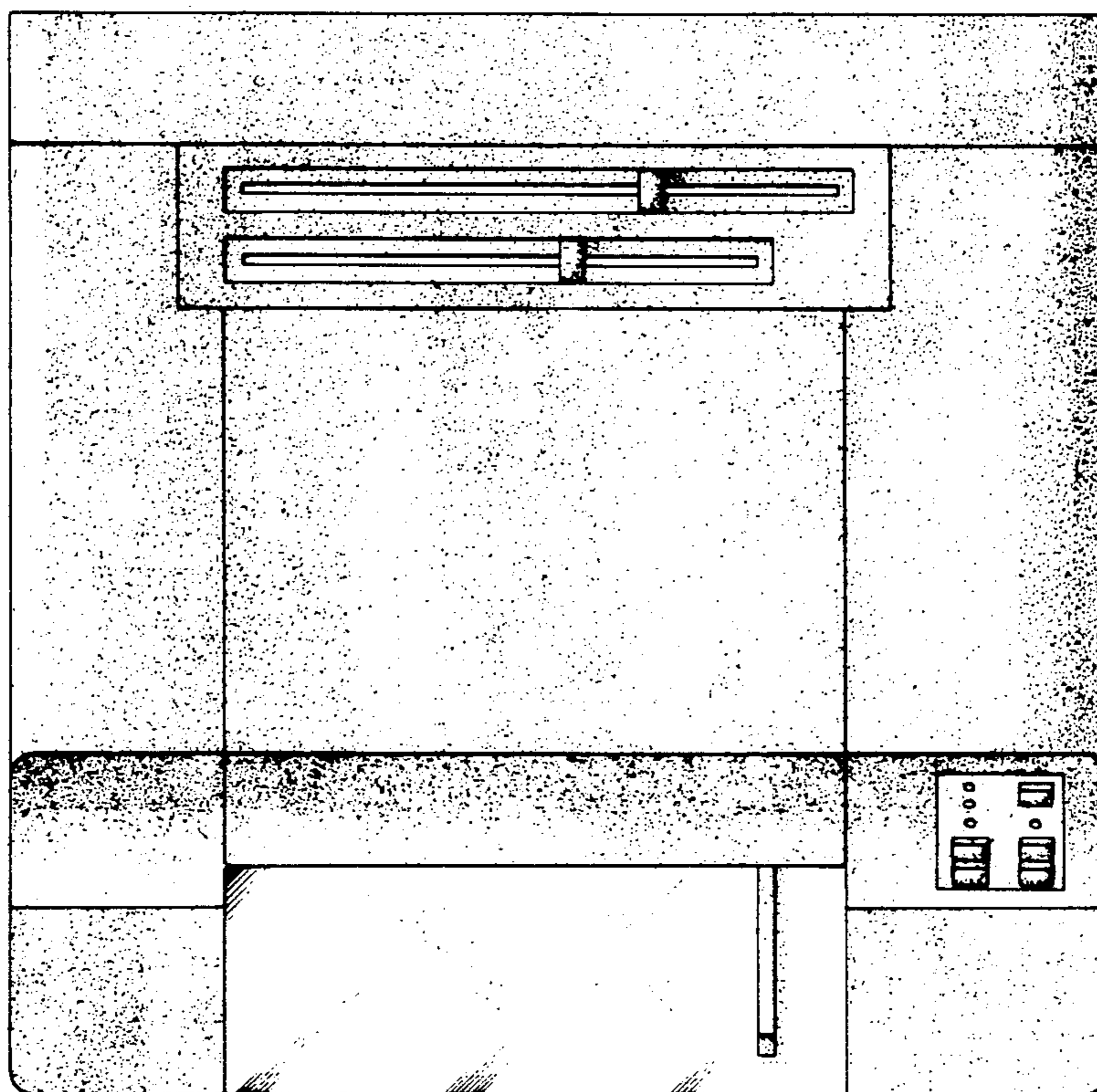


FIG. 6

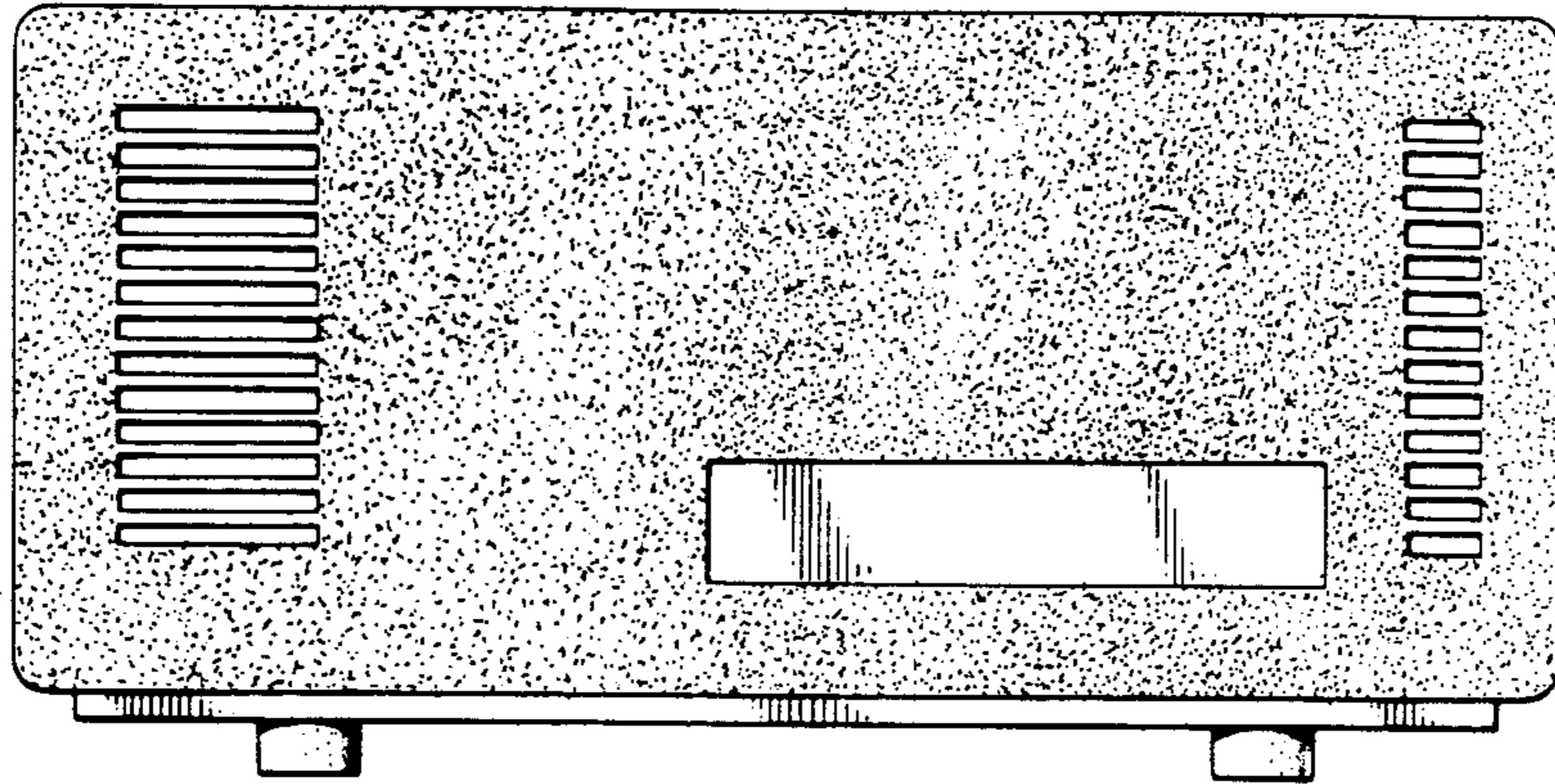


FIG. 7

