

[54] MOTOR VEHICULAR CITIZENS' BAND TRANSCEIVER

[75] Inventors: Toshio Igo; Kikuo Ohta, both of Katano, Japan

[73] Assignee: Matsushita Electric Industrial Co., Ltd., Kadoma, Japan

[**] Term: 14 Years

[21] Appl. No.: 817,289

[22] Filed: Jul. 20, 1977

[30] Foreign Application Priority Data

Jan. 20, 1976 [JP] Japan 52-1476

[51] Int. Cl. D14-03

[52] U.S. Cl. D14/68; D14/7

[58] Field of Search D14/1, 2, 5-7, D14/52, 68-73, 75, 76, 79, 84, 85, 96, 99, 95

[56] References Cited

U.S. PATENT DOCUMENTS

D. 216,125	11/1969	Kawakami	D14/7
D. 224,544	8/1972	Nishimura	D14/7
D. 244,313	5/1977	Imado	D14/5

OTHER PUBLICATIONS

Retailing Home Furnishings, 6/5-6/77, Section 3, p. 1, President "Honest Abe" CB Model.

Home Furnishings Daily, 1-13-77, Sanyo Supplement, p. "5," Item FT407.

Primary Examiner—Joel Stearman

Assistant Examiner—Jane E. Corrigan

Attorney, Agent, or Firm—Richard C. Sughrue

[57] CLAIM

The ornamental design for a motor vehicular citizens' band transceiver, as shown.

DESCRIPTION

FIG. 1 is front elevational view of a motor vehicular citizens' band transceiver showing our new design;

FIG. 2 is a front, top and right side perspective view; and

FIG. 3 is a rear, bottom and left side perspective view thereof.

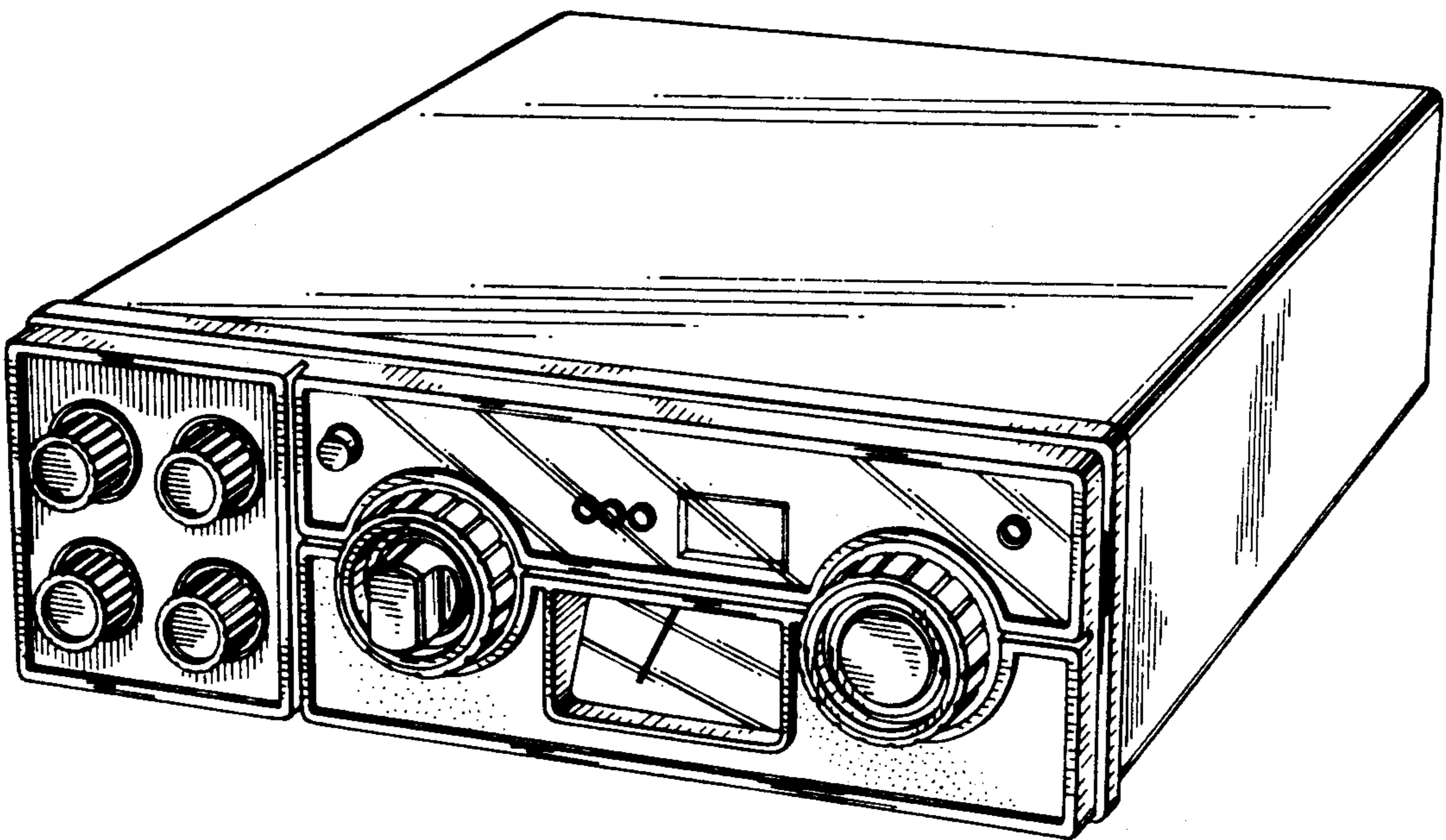


FIG. 1

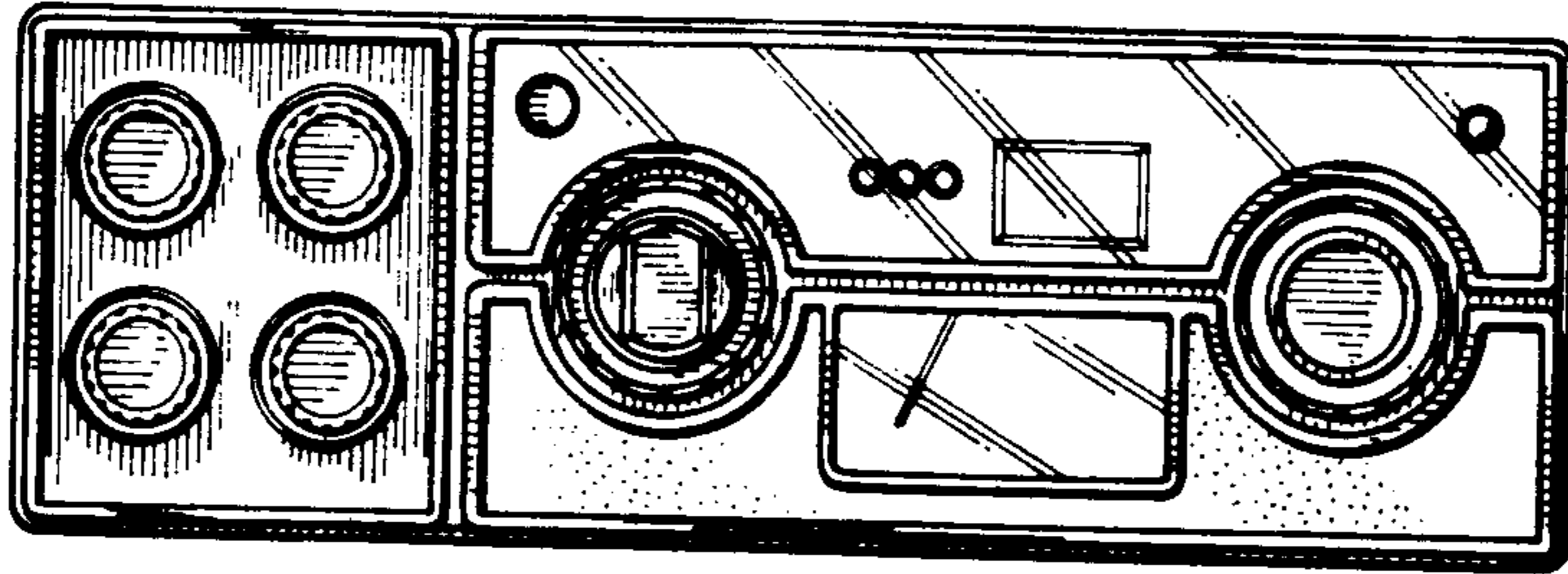


FIG. 2

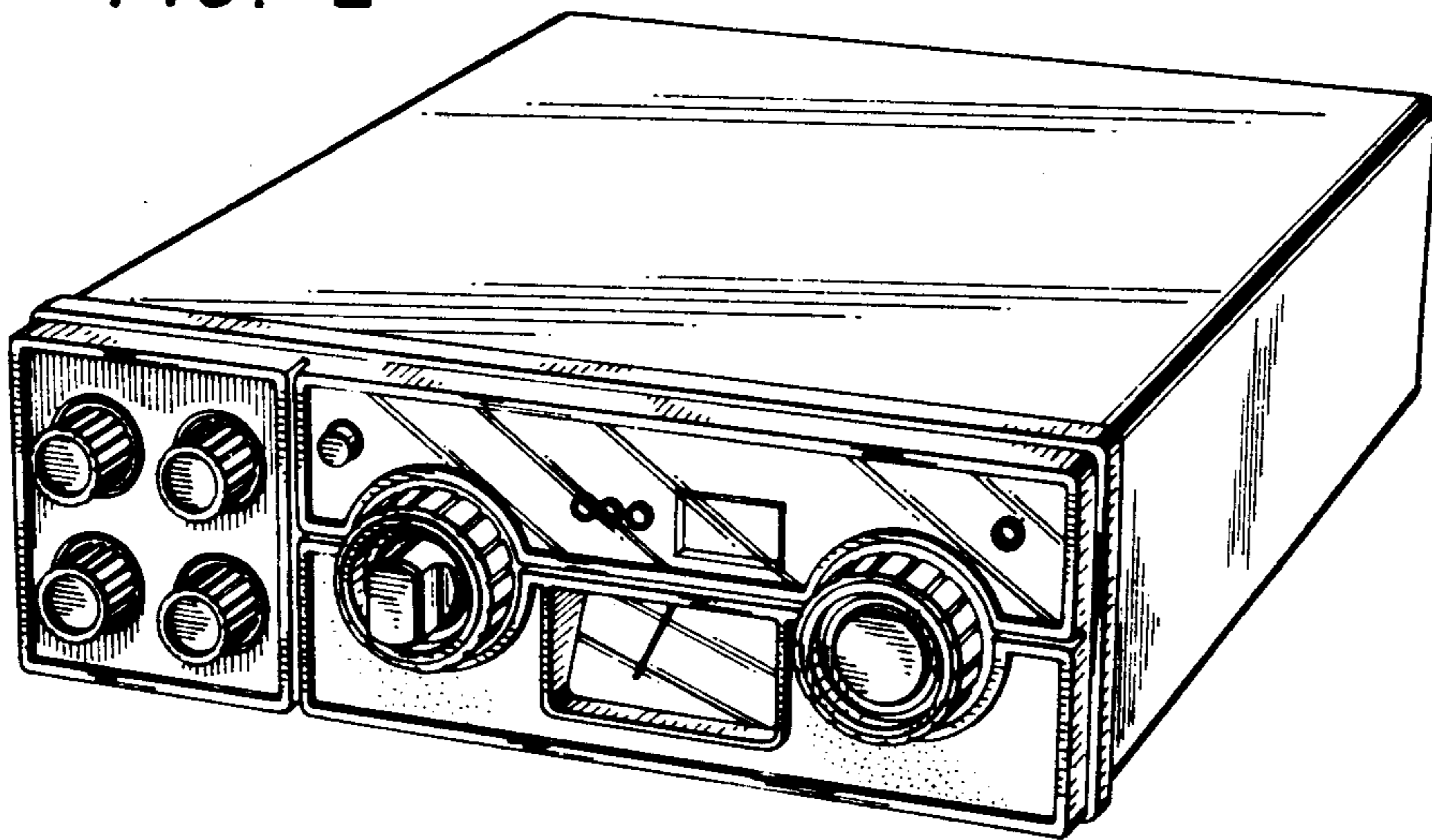


FIG. 3

