

[54] TELEPHONE INSTRUMENT HOUSING

[75] Inventor: George M. Janda, Westchester, Ill.

[73] Assignee: GTE Automatic Electric Laboratories Incorporated, Northlake, Ill.

[**] Term: 14 Years

[21] Appl. No.: 863,658

[22] Filed: Dec. 23, 1977

[51] Int. Cl. D14-03

[52] U.S. Cl. D14/60; D14/53; 179/179

[58] Field of Search 179/100 D, 178, 179, 179/100 C, 100 R, 100 L; D14/53, 60

[56] References Cited

U.S. PATENT DOCUMENTS

- D. 221,767 9/1971 Genaro et al. D14/60
- D. 244,617 6/1977 Breger D14/53

- D. 245,113 7/1977 Genaro et al. D14/60
- D. 248,649 7/1978 Breger D14/53
- D. 250,111 10/1978 Hernandez D14/53

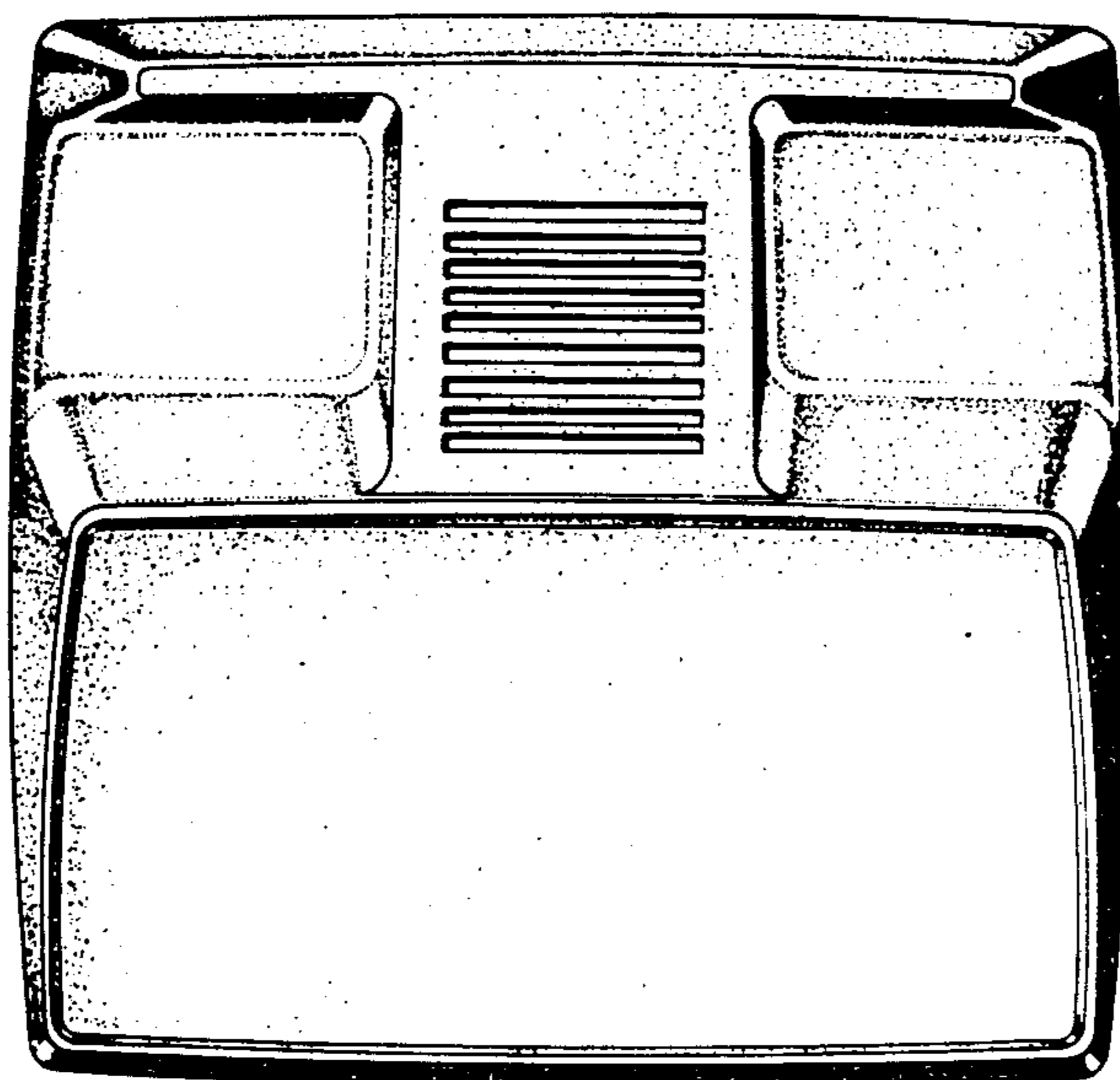
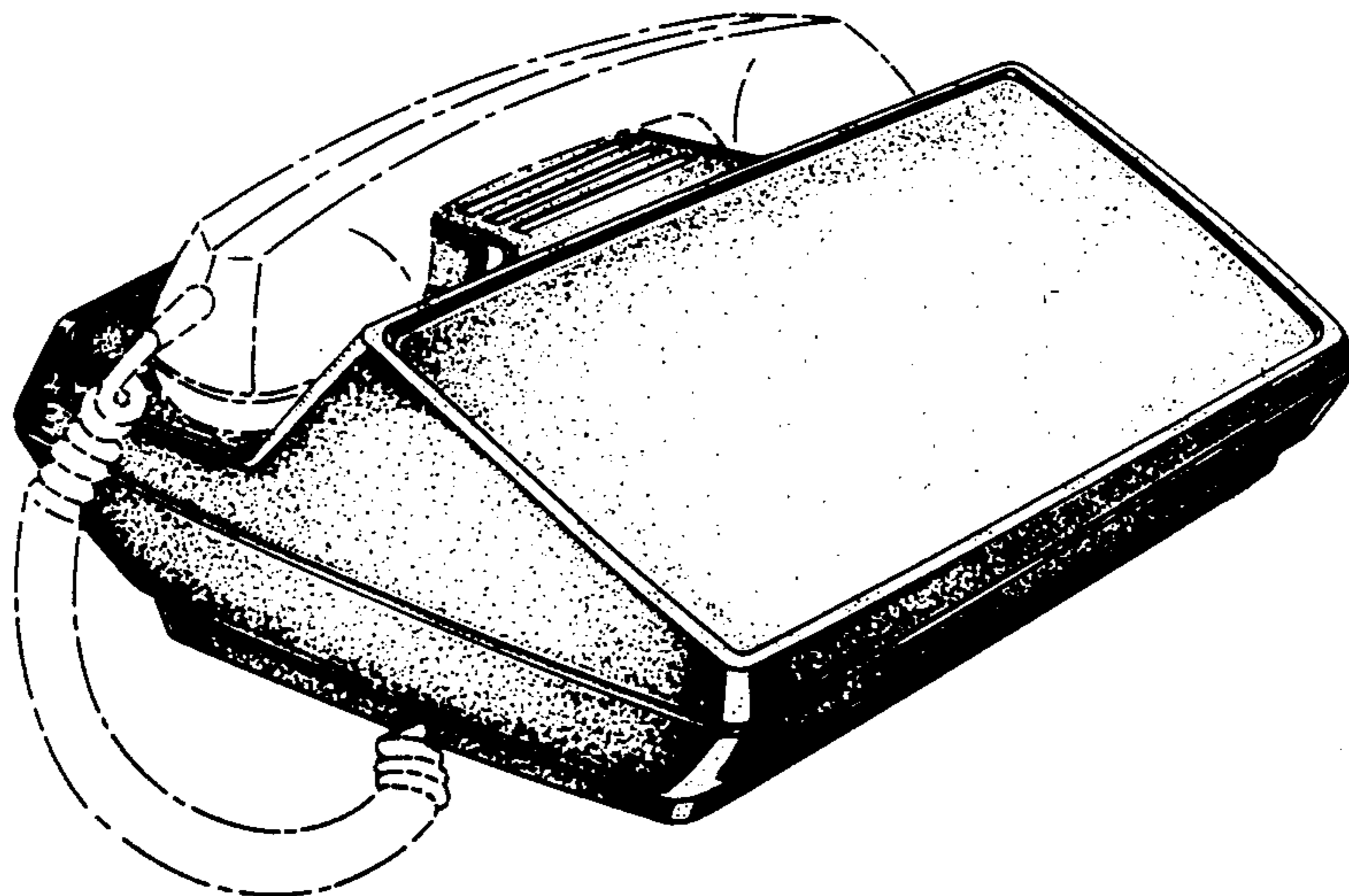
Primary Examiner—Bernard Ansher
Attorney, Agent, or Firm—Robert J. Black

[57] CLAIM

The ornamental design for a telephone instrument housing, as shown and described.

DESCRIPTION

FIG. 1 is a perspective view of a telephone instrument housing, showing our new design; FIG. 2 is a top plan view thereof; FIG. 3 is a front elevation thereof; FIG. 4 is a rear elevation thereof; and FIG. 5 is a side elevation thereof, the opposite side being a mirror image of the side shown. The broken line disclosure of a telephone handset and cord in FIG. 1 is for illustrative purposes only and forms no part of the claimed design.



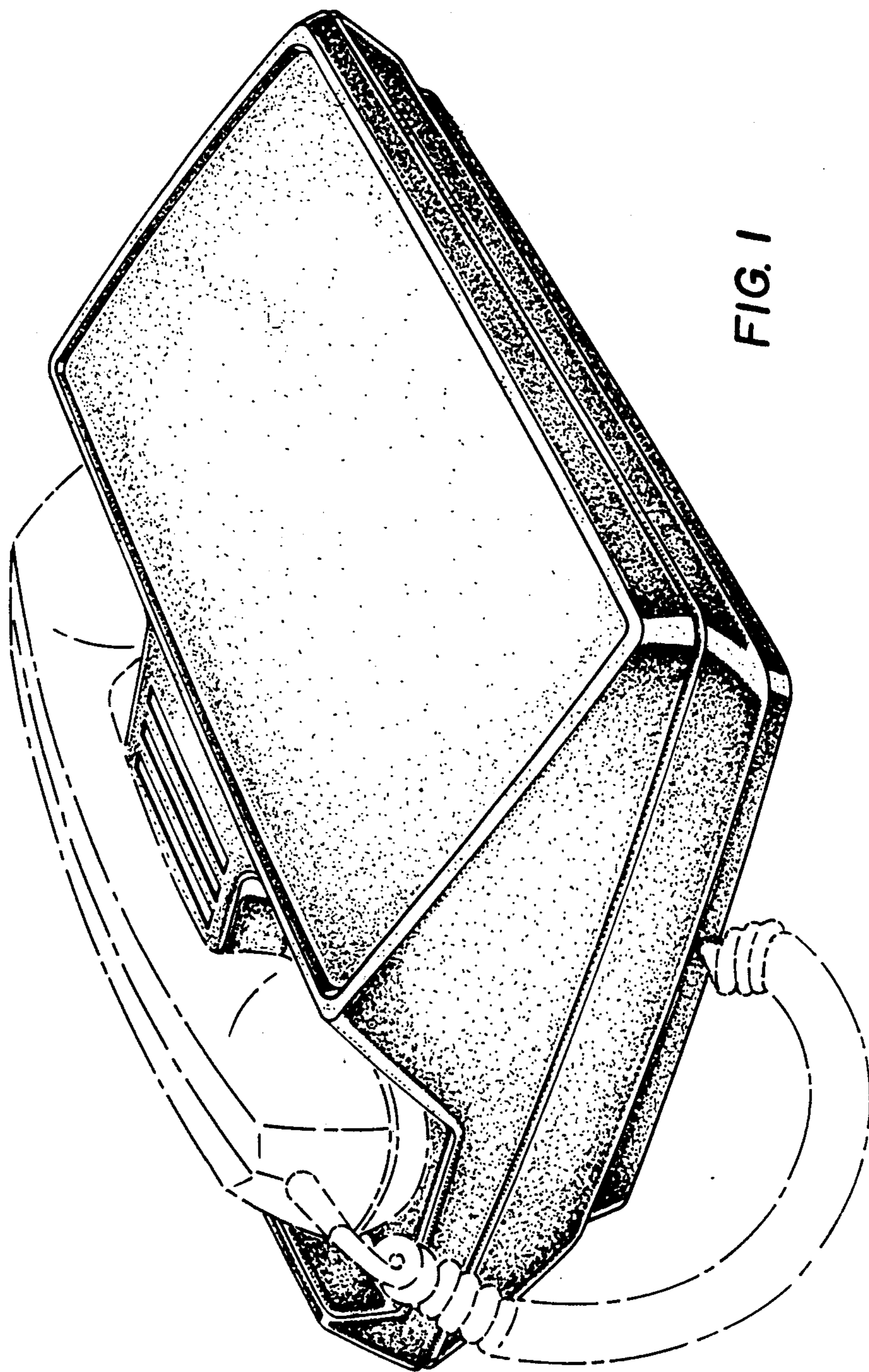


FIG. 1

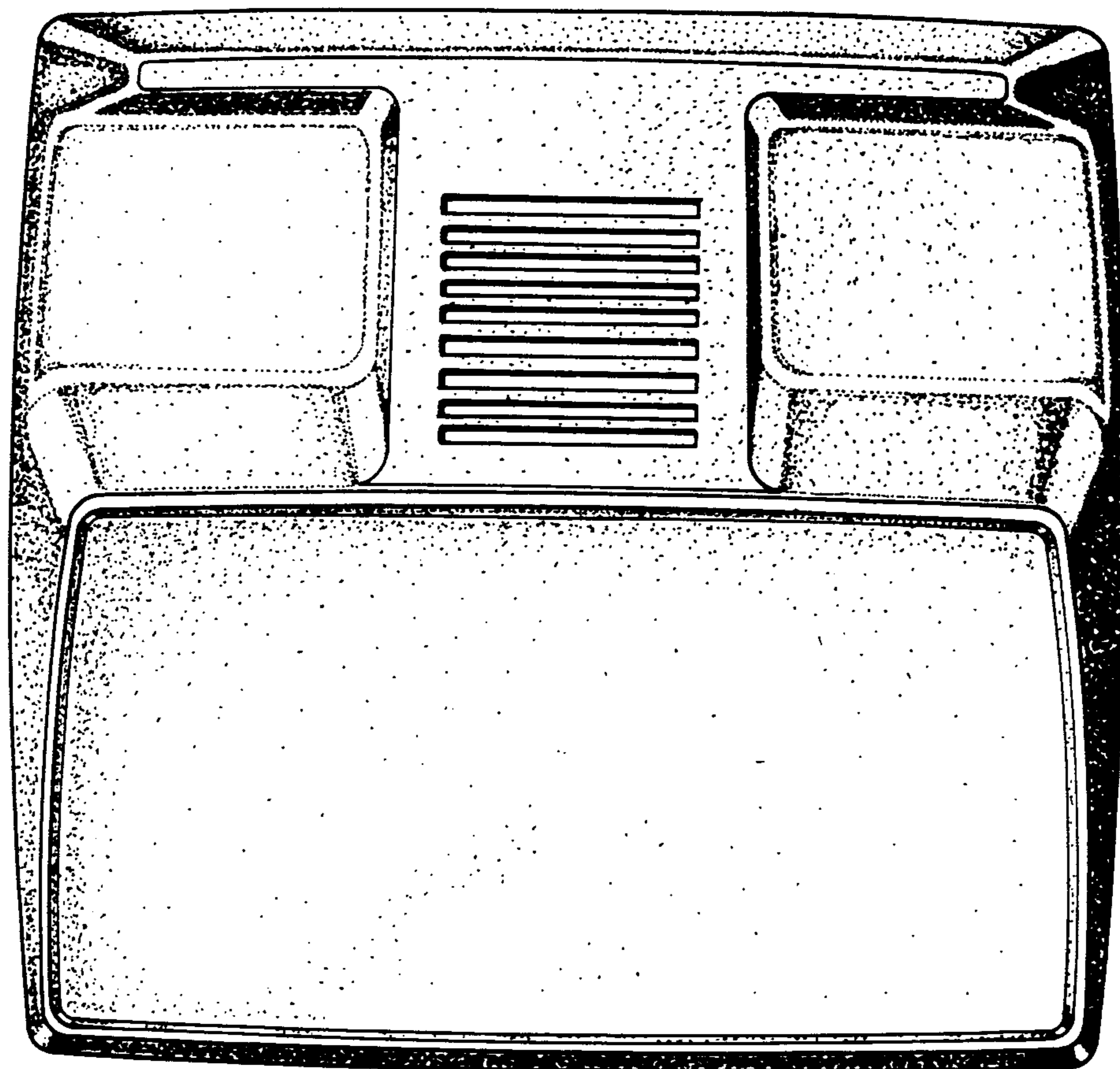


FIG. 2

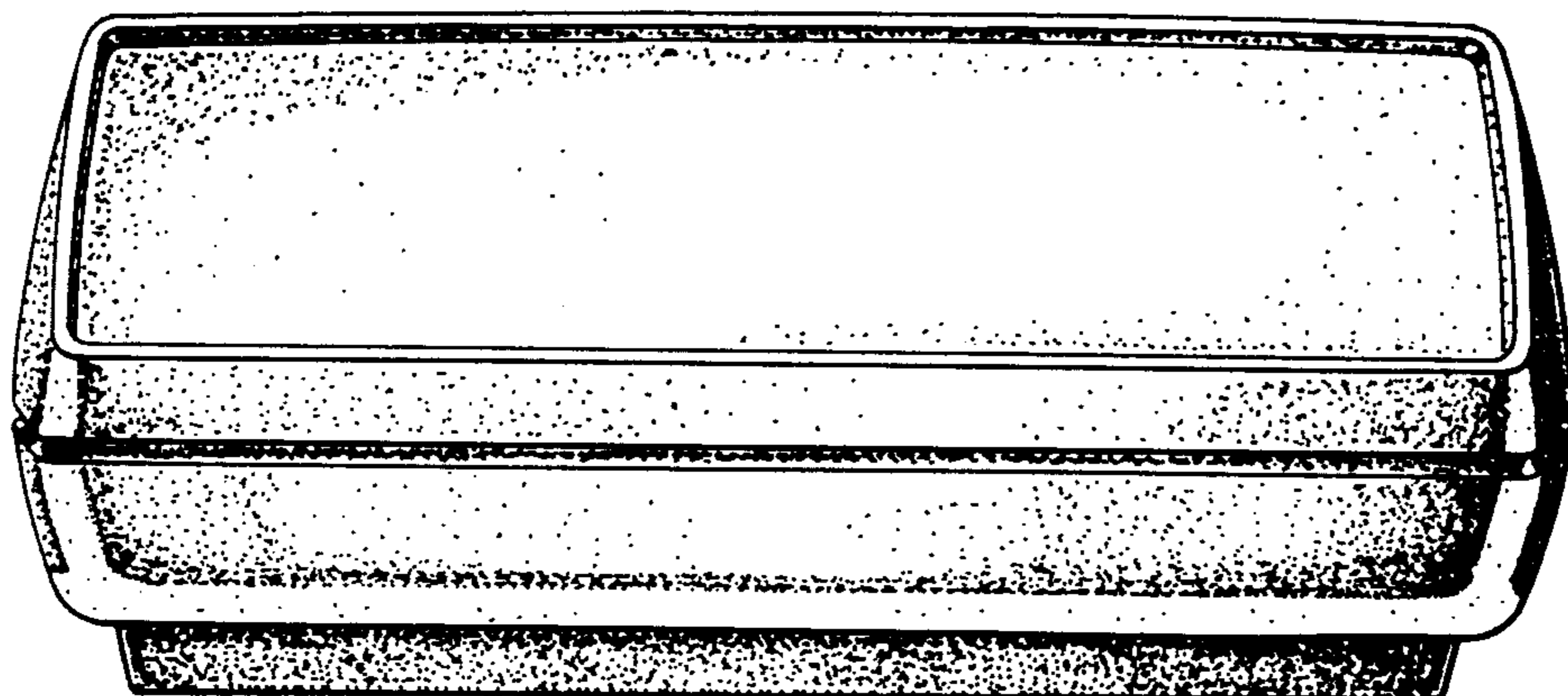


FIG. 3

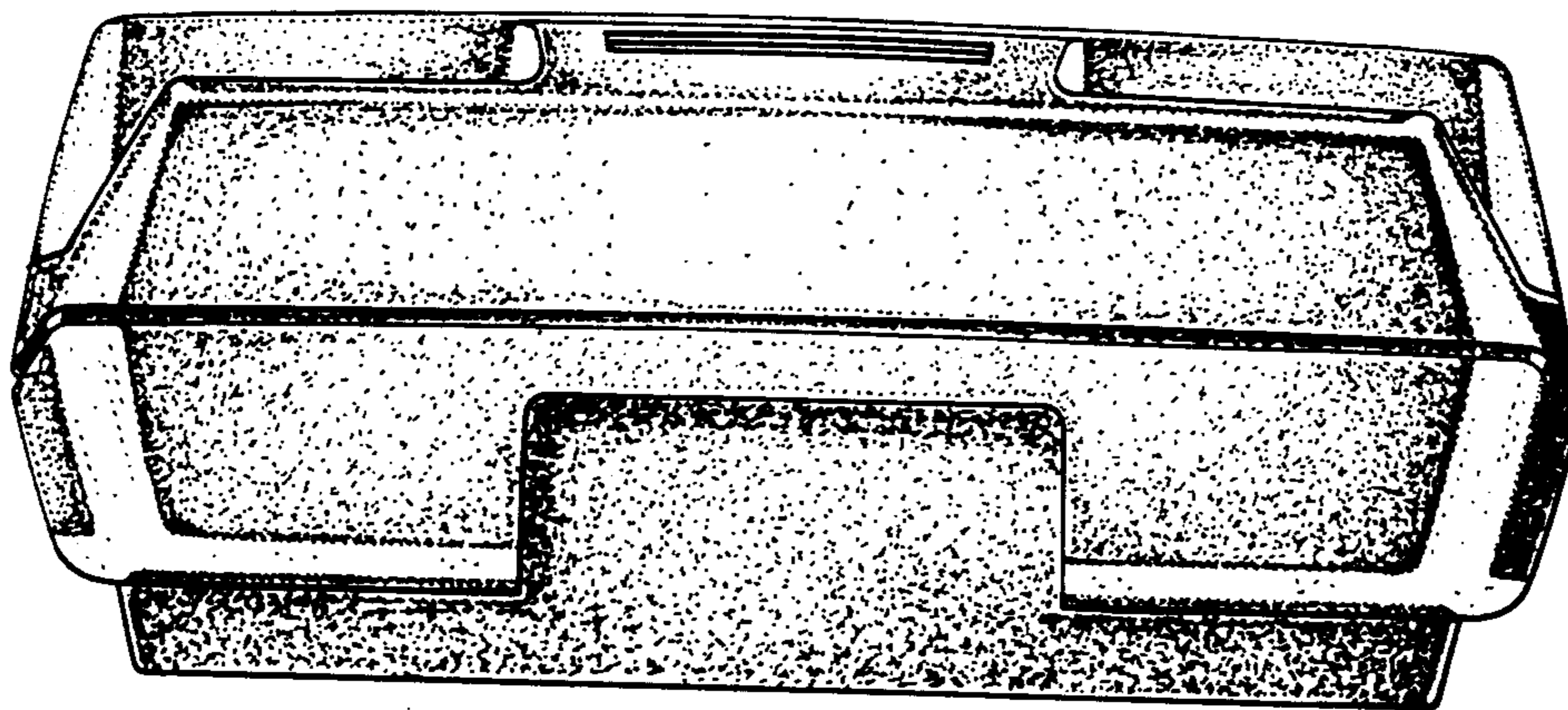


FIG. 4

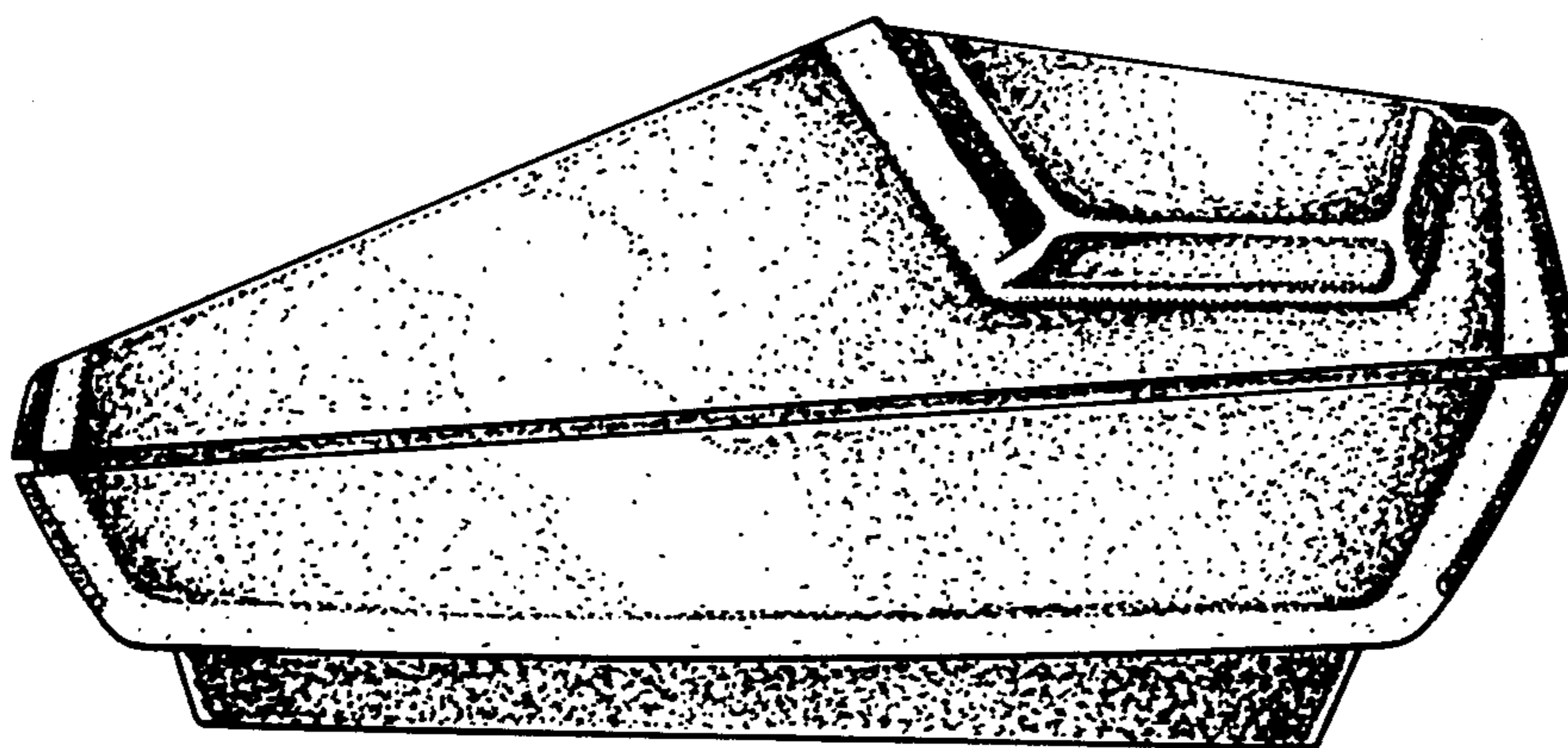


FIG. 5