

[54] TIRE

[76] Inventor: **Joseph B. Nadler**, 7657 Greenland Pl., Cincinnati, Ohio 45237

[**] Term: **14 Years**

[21] Appl. No.: **793,961**

[22] Filed: **May 5, 1977**

[51] Int. Cl. **D12-15**

[52] U.S. Cl. **D12/137**

[58] Field of Search **D12/137; 152/209**

[56]

References Cited

U.S. PATENT DOCUMENTS

D. 53,511 7/1919 Meeks D12/137

Primary Examiner—James M. Gandy
Attorney, Agent, or Firm—Walter S. Murray

[57]

CLAIM

The ornamental design for a tire, as shown and described.

DESCRIPTION

FIG. 1 is a perspective view of a tire showing my new design, it being understood that the tread design is repeated throughout the circumference of the tire as shown schematically in solid lines, the opposite being substantially the same as the side shown.

FIG. 2 is an enlarged cross sectional view thereof taken on line 2-2 of FIG. 1.

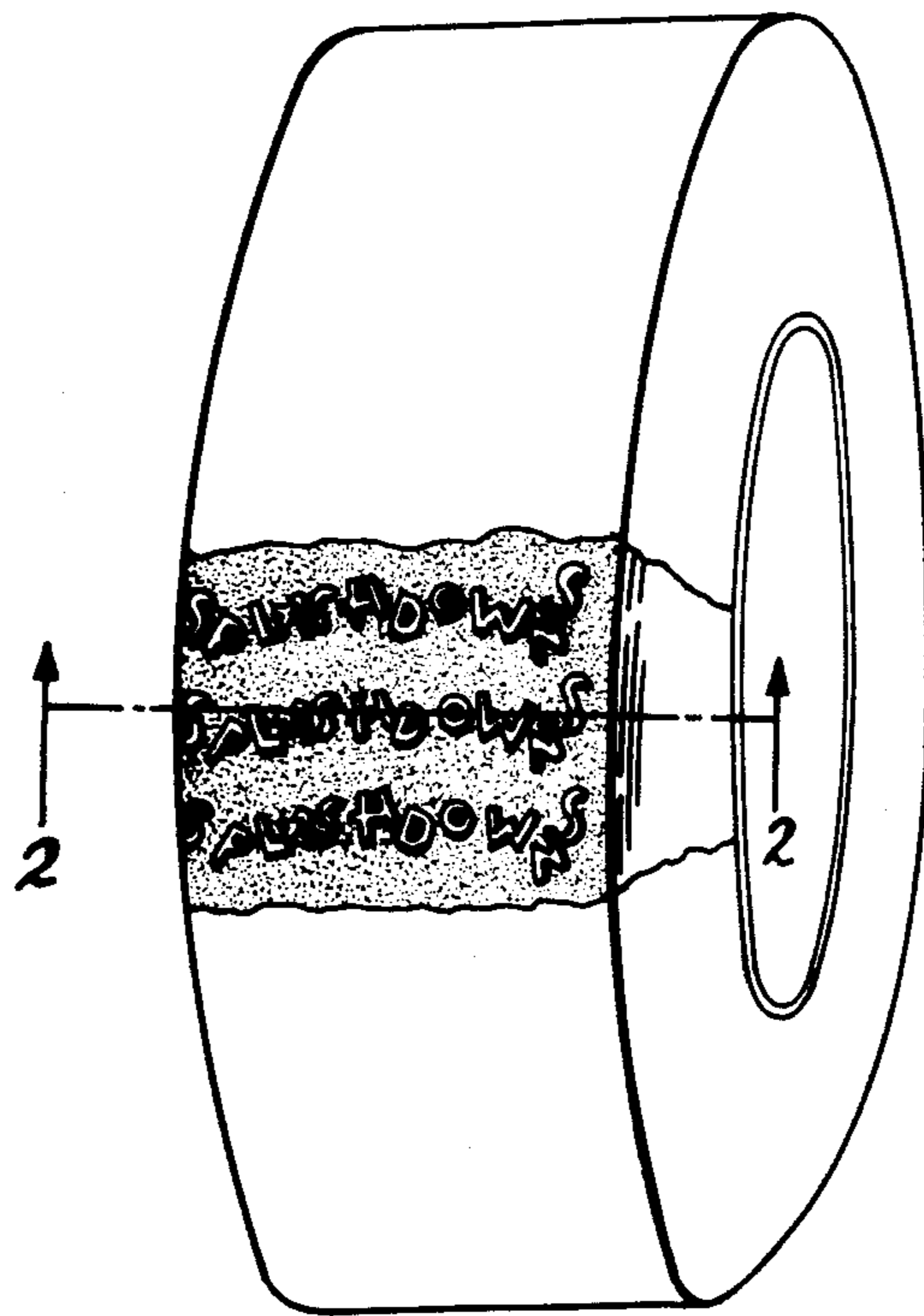


Fig. 1

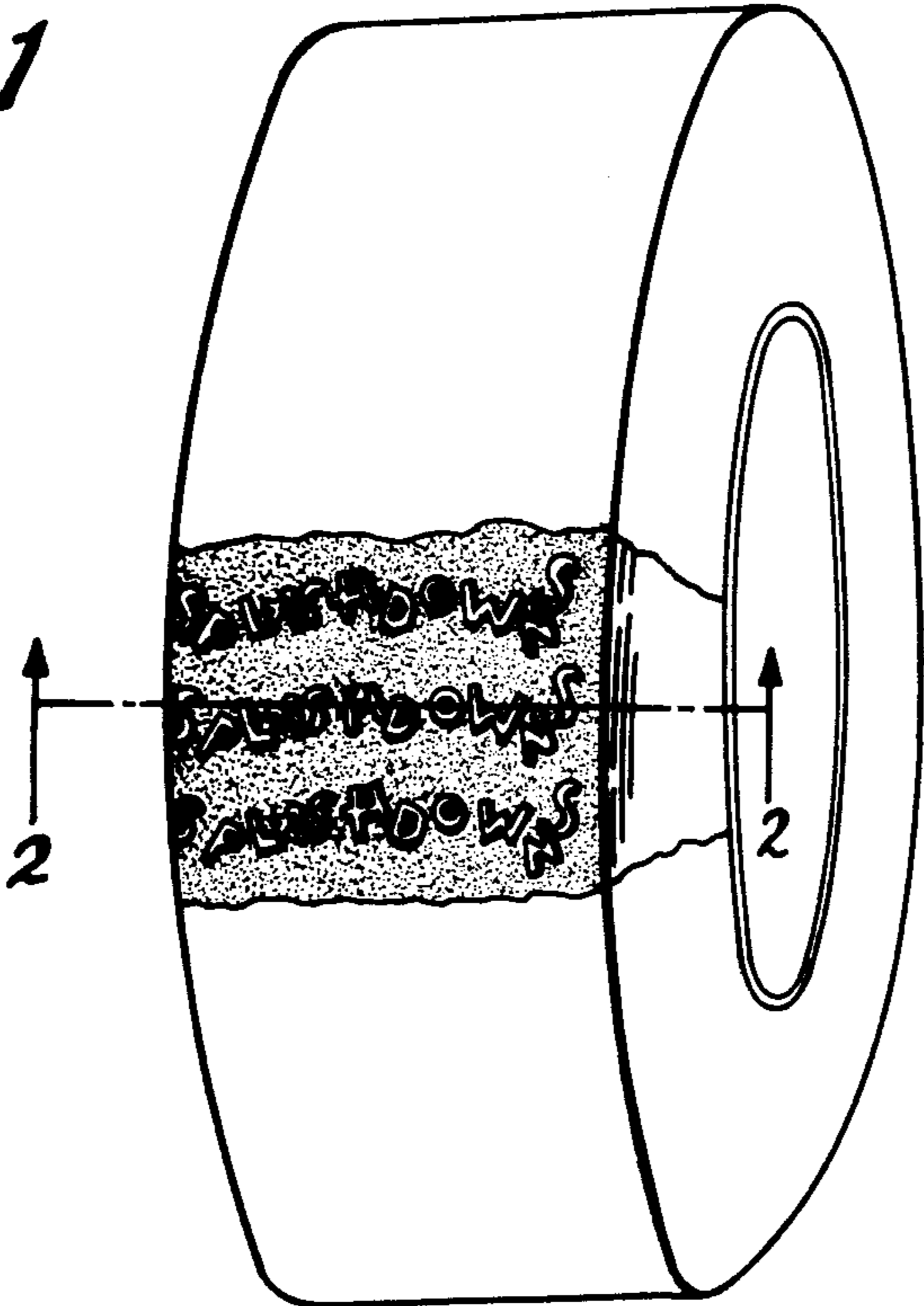


Fig. 2

