

[54] WEDGE TO HOLD A GAS PUMP NOZZLE IN THE OPEN POSITION

[76] Inventor: Harry H. Fitzgerald, 16023 47th Ave. S., Seattle, Wash. 98188

[**] Term: 14 Years

[21] Appl. No.: 850,401

[22] Filed: Nov. 10, 1977

[51] Int. Cl. D8-08; D15-02; D23-01

[52] U.S. Cl. D8/349; 141/392; D8/354; D15/9.1; D23/37

[58] Field of Search D8/354, 349; D23/34, D23/37, 38; D10/64; 74/526; 141/392; 251/89, 90, 101; 292/343; D15/9.1

[56] References Cited

U.S. PATENT DOCUMENTS

802,402 10/1905 Martin D10/64
4,095,629 6/1978 Jordon 141/392

Primary Examiner—Wallace R. Burke
Assistant Examiner—B. J. Bullock
Attorney, Agent, or Firm—Nicolaas Devogel

[57] CLAIM

The ornamental design for a wedge to hold a gas pump nozzle in the open position, as shown and described.

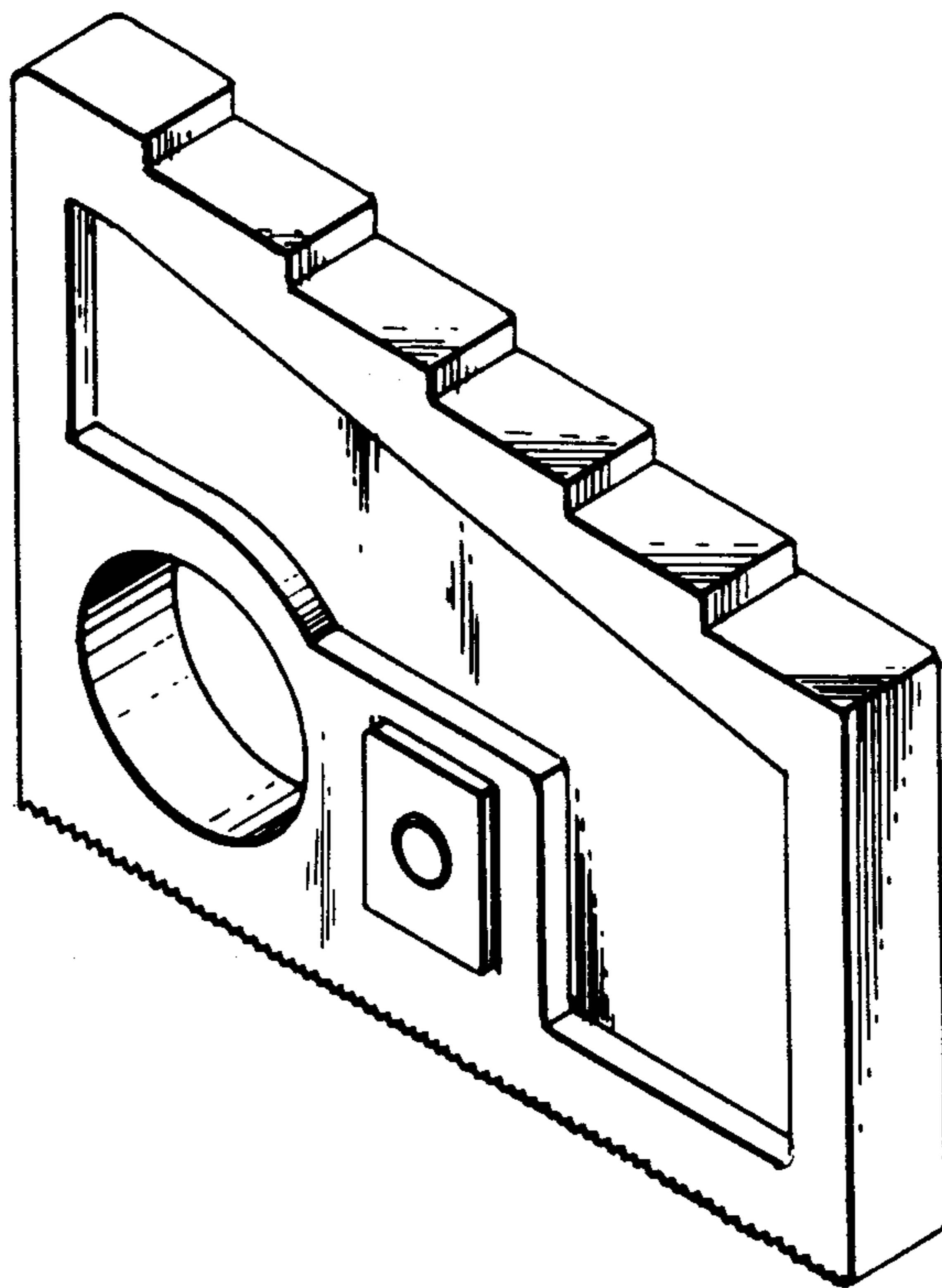
DESCRIPTION

FIG. 1 is a perspective front view of a wedge to hold a gas pump nozzle in the open position showing my new design;

FIG. 2 is a perspective rear view.

FIG. 3 is an end elevational view taken from the left of FIG. 1;

FIG. 4 is a bottom plan view.



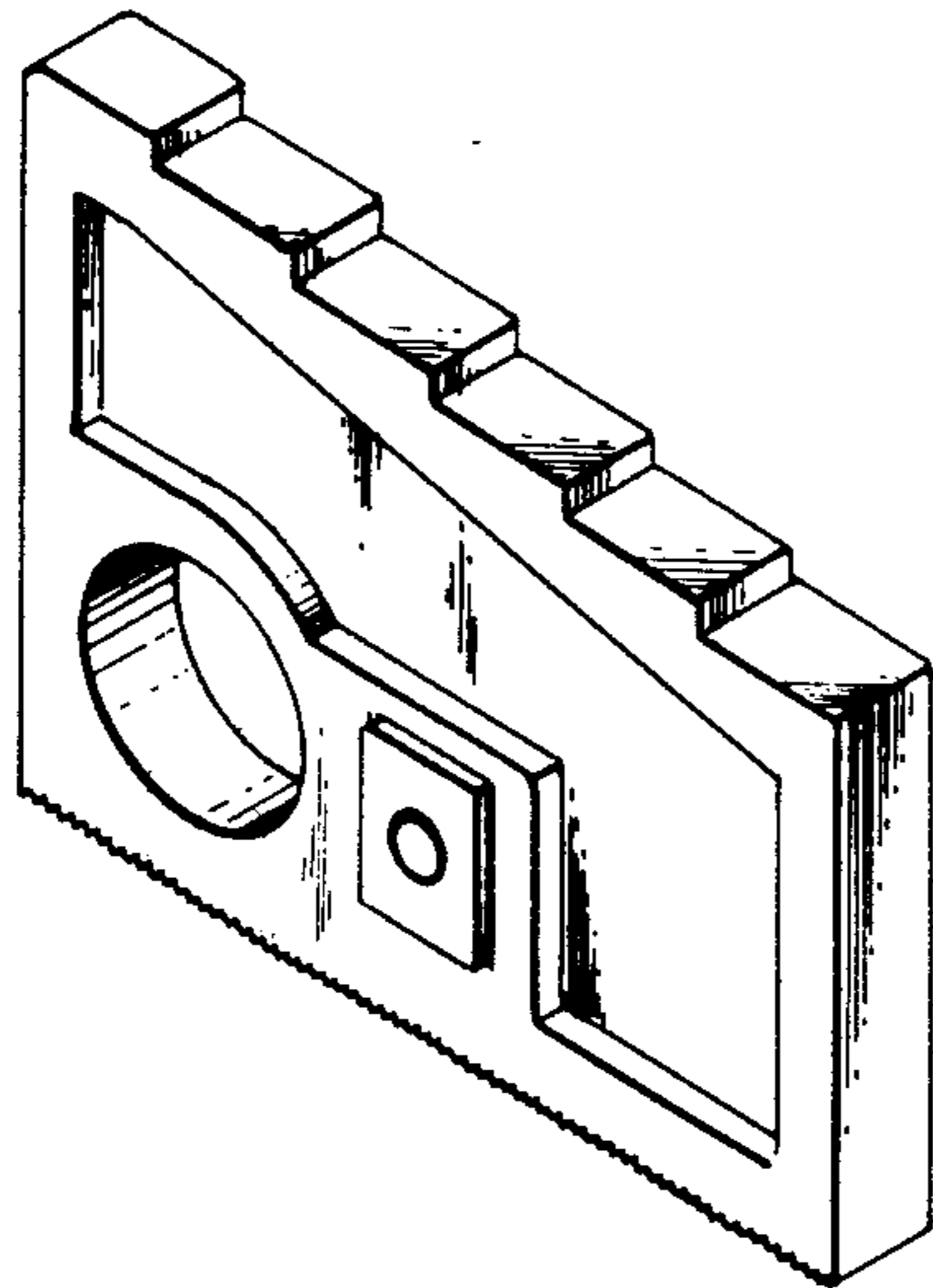


FIG. 1

FIG. 2

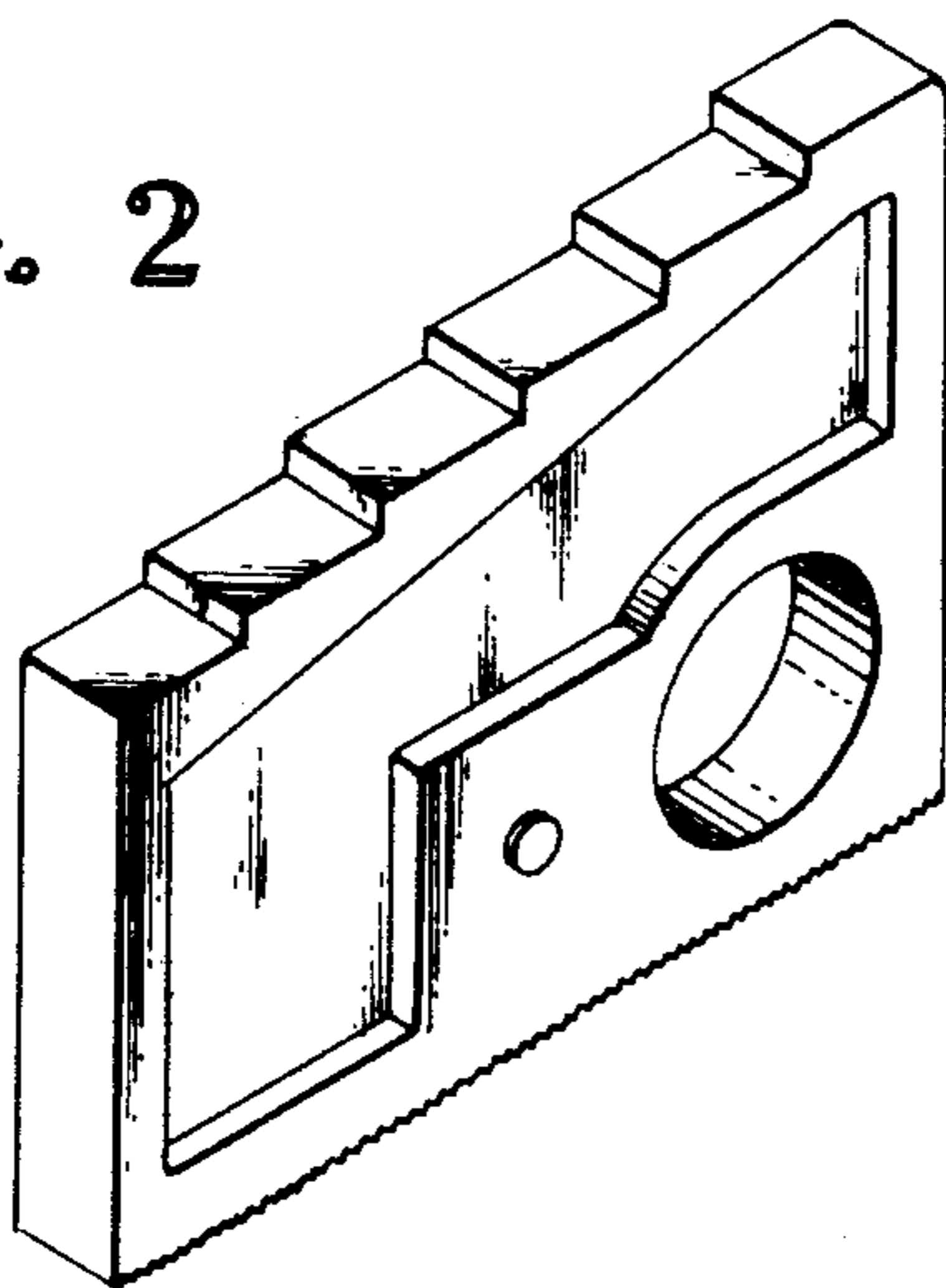


FIG. 3

FIG. 4

