

[54] CHAIR

[56] References Cited

[75] Inventor: Isao Hosoe, Milan, Italy

U.S. PATENT DOCUMENTS

[73] Assignee: Sacea S.a.s. di Tirinnanzi Giampietro & C., Legano, Italy

D. 227,205	6/1973	Moeckl .....	D6/56
D. 235,709	7/1975	Schier .....	D6/56 X
D. 240,874	8/1976	Lamb .....	D6/56 X
D. 243,046	1/1977	Johnson .....	D6/56

[\*\*] Term: 14 Years

OTHER PUBLICATIONS

Industrial Design, Oct. 1972, p. 64, Chair in Panel 12.

Primary Examiner—Bruce W. Dunkins  
Attorney, Agent, or Firm—Robert Osann

[21] Appl. No.: 827,815

[57] CLAIM

The ornamental design for a chair, substantially as shown and described.

[22] Filed: Aug. 25, 1977

DESCRIPTION

[51] Int. Cl. .... D6—01

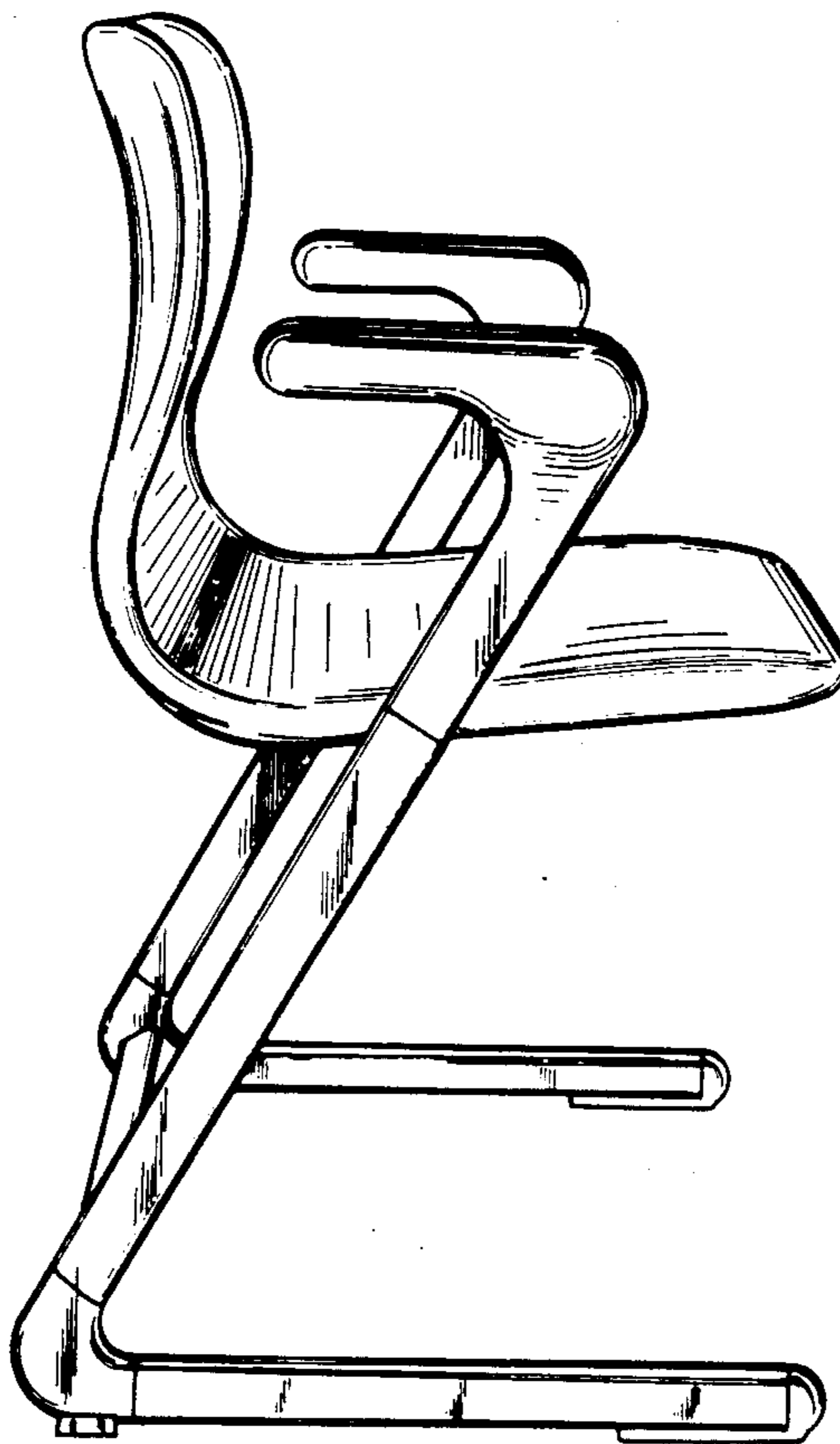
[52] U.S. Cl. .... D6/69; D6/56;  
D6/72

[58] Field of Search .... D6/47-78,  
D6/26, 30, 31

FIG. 1 is a top and front perspective view of a chair showing my new design;

FIG. 2 is a side perspective view thereof, the opposite side being the same; and

FIG. 3 is a bottom and rear perspective view thereof.



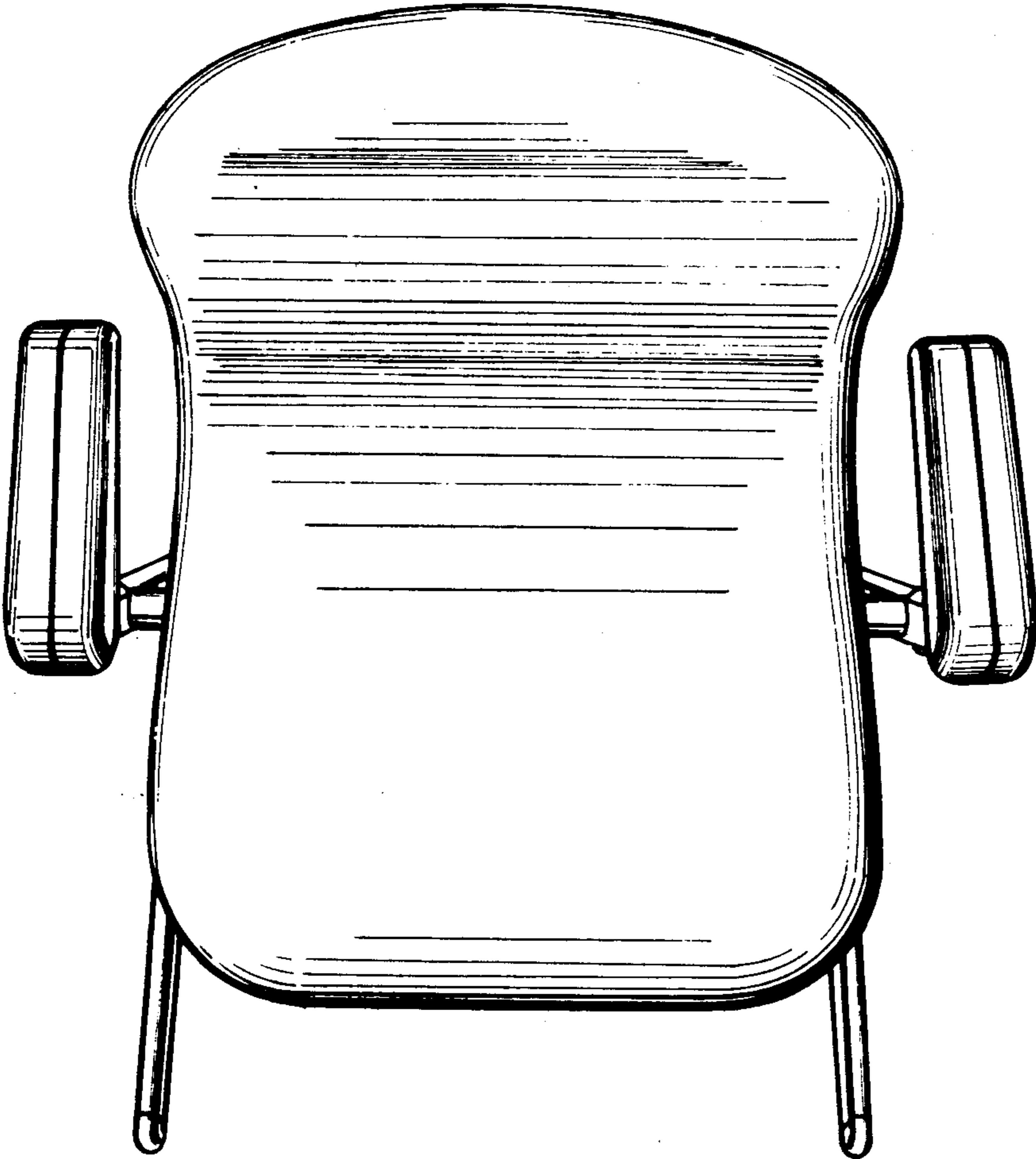


FIG. I

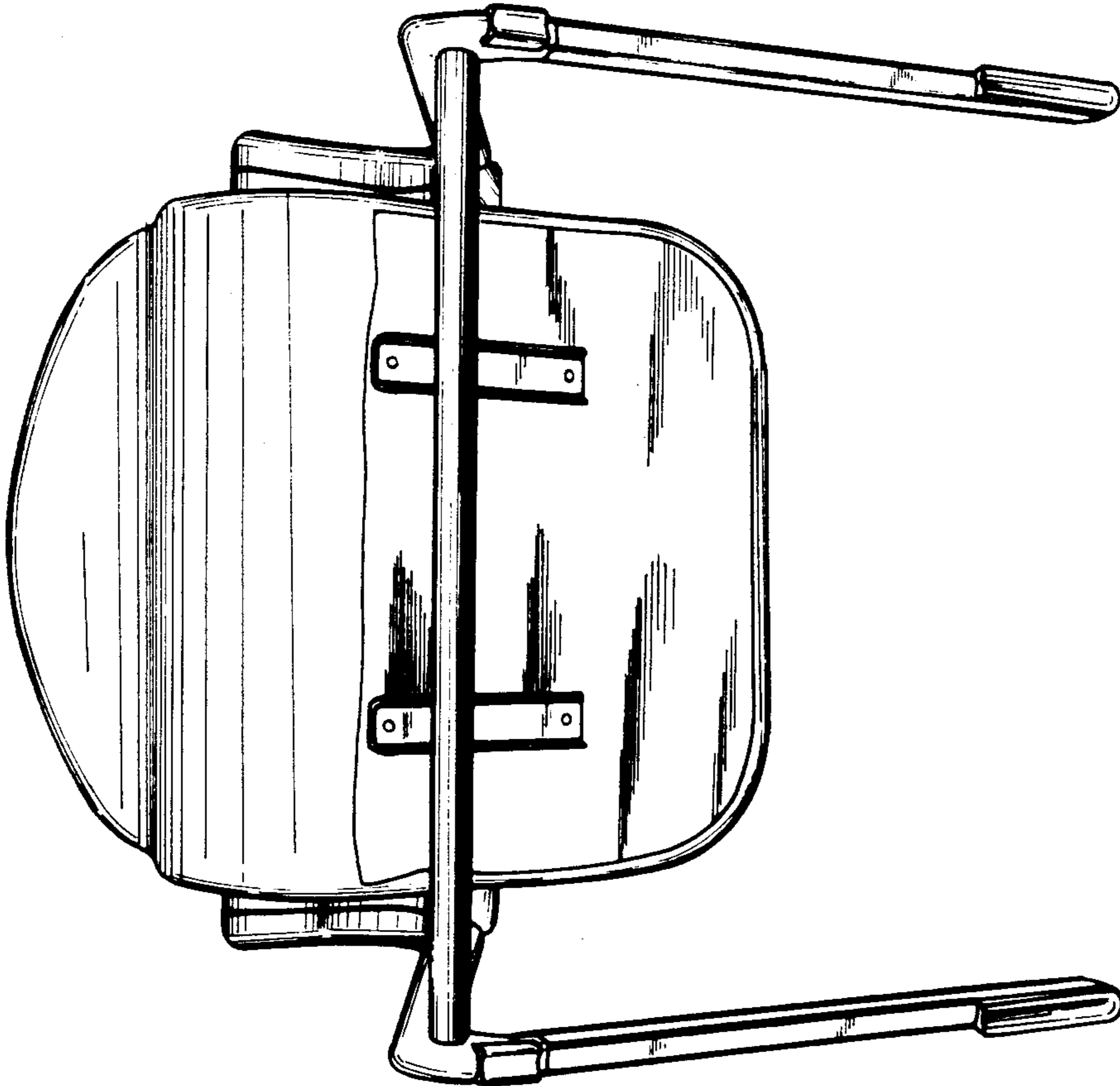


FIG.3

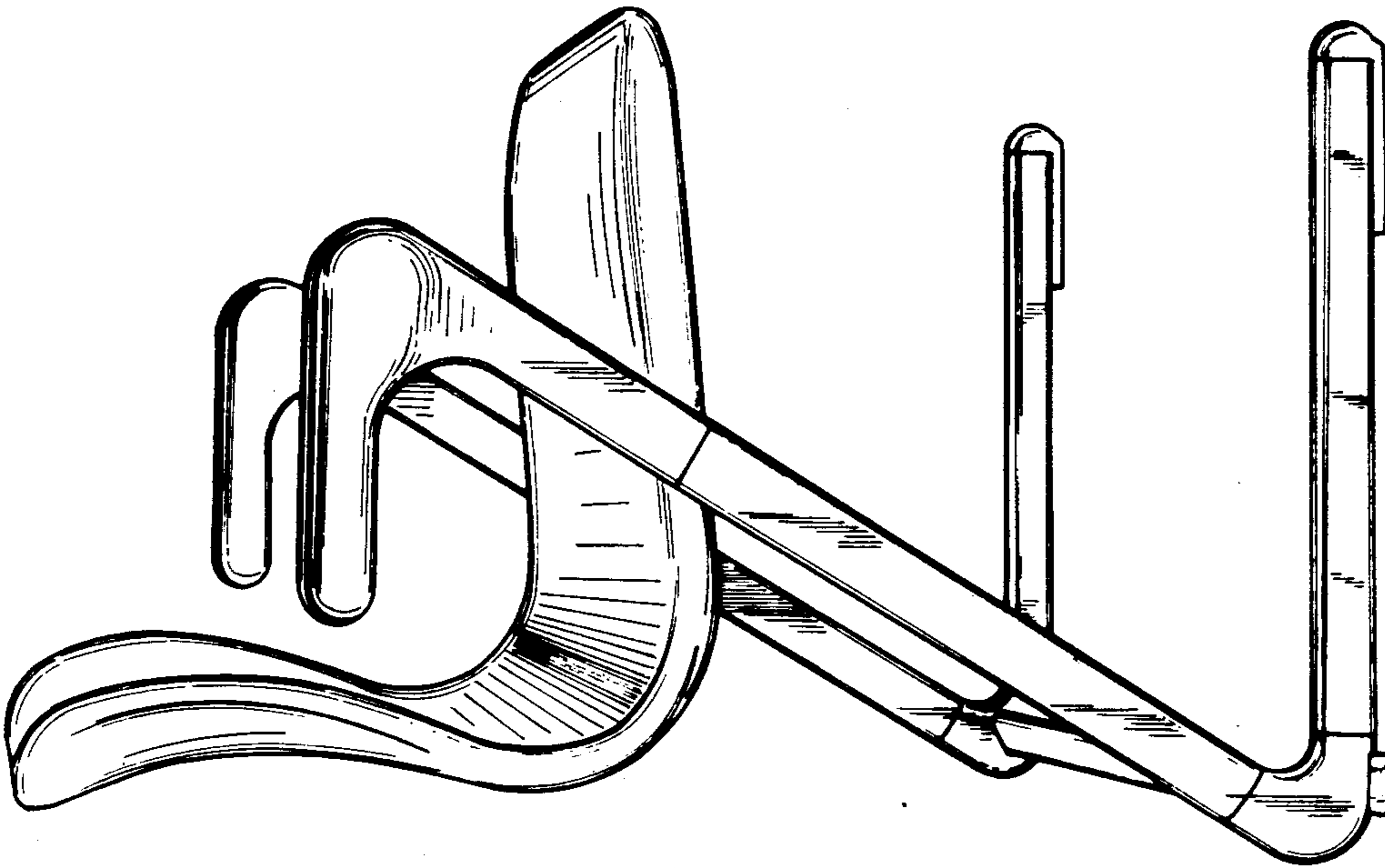


FIG.2