

[54] SOFA
[75] Inventor: Lester Beall, High Point, N.C.

D. 248,260 6/1978 Wilson D6/63
D. 250,980 2/1979 Glaser D6/63 X
3,563,599 2/1971 Heumann D6/63 X

[73] Assignee: Modern Angel Furniture
Manufacturing, Inc., Paramount,
Calif.

OTHER PUBLICATIONS

Willow & Reed Cat., p. 7 Sofa, No. 113.
Interiors, 9-1969, p. 162, Sofa at center.
House Beautiful, 10-1974, p. 51, Sofa top left.

[**] Term: 14 Years

Primary Examiner—Bruce W. Dunkins
Attorney, Agent, or Firm—David Rabin

[21] Appl. No.: 857,927

[22] Filed: Dec. 6, 1977

[57] CLAIM

[51] Int. Cl. D6-01

The ornamental design for a sofa, as shown and de-
scribed.

[52] U.S. Cl. D6/57; D6/63

[58] Field of Search D6/47-76

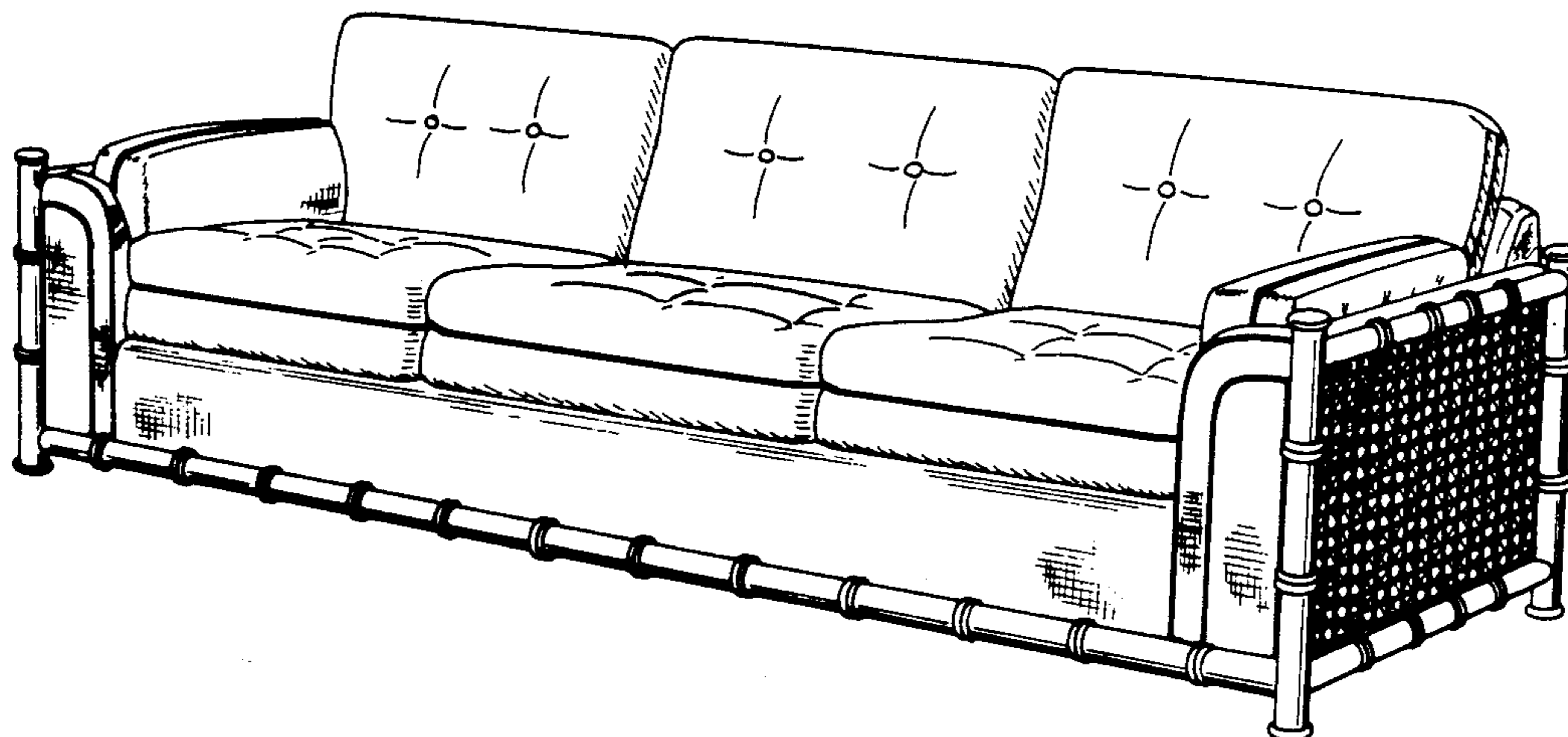
DESCRIPTION

[56] References Cited

U.S. PATENT DOCUMENTS

D. 238,836 2/1976 Costabile D6/63

FIG. 1 is a front perspective view of a sofa embodying
my design; and
FIG. 2 is a left side view of FIG. 1.
The rear of the sofa is conventional in appearance.



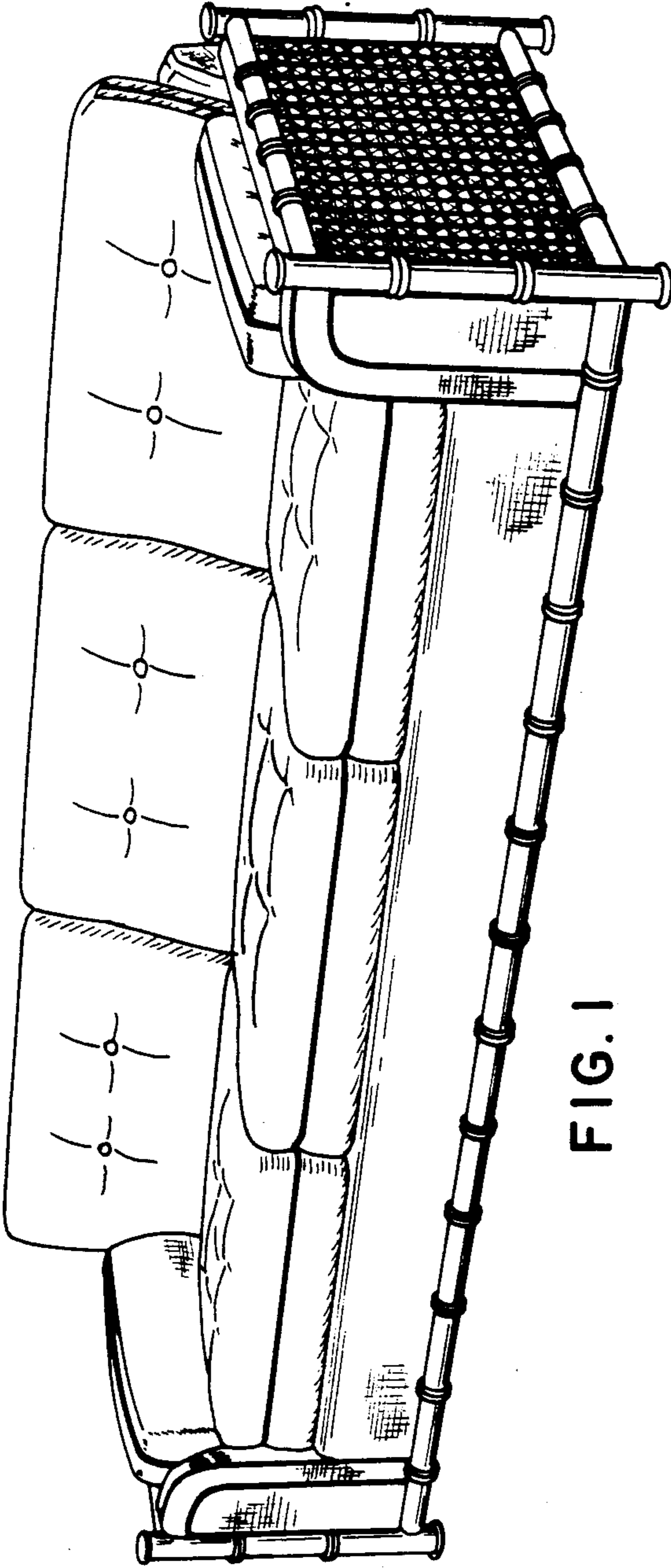


FIG. 1

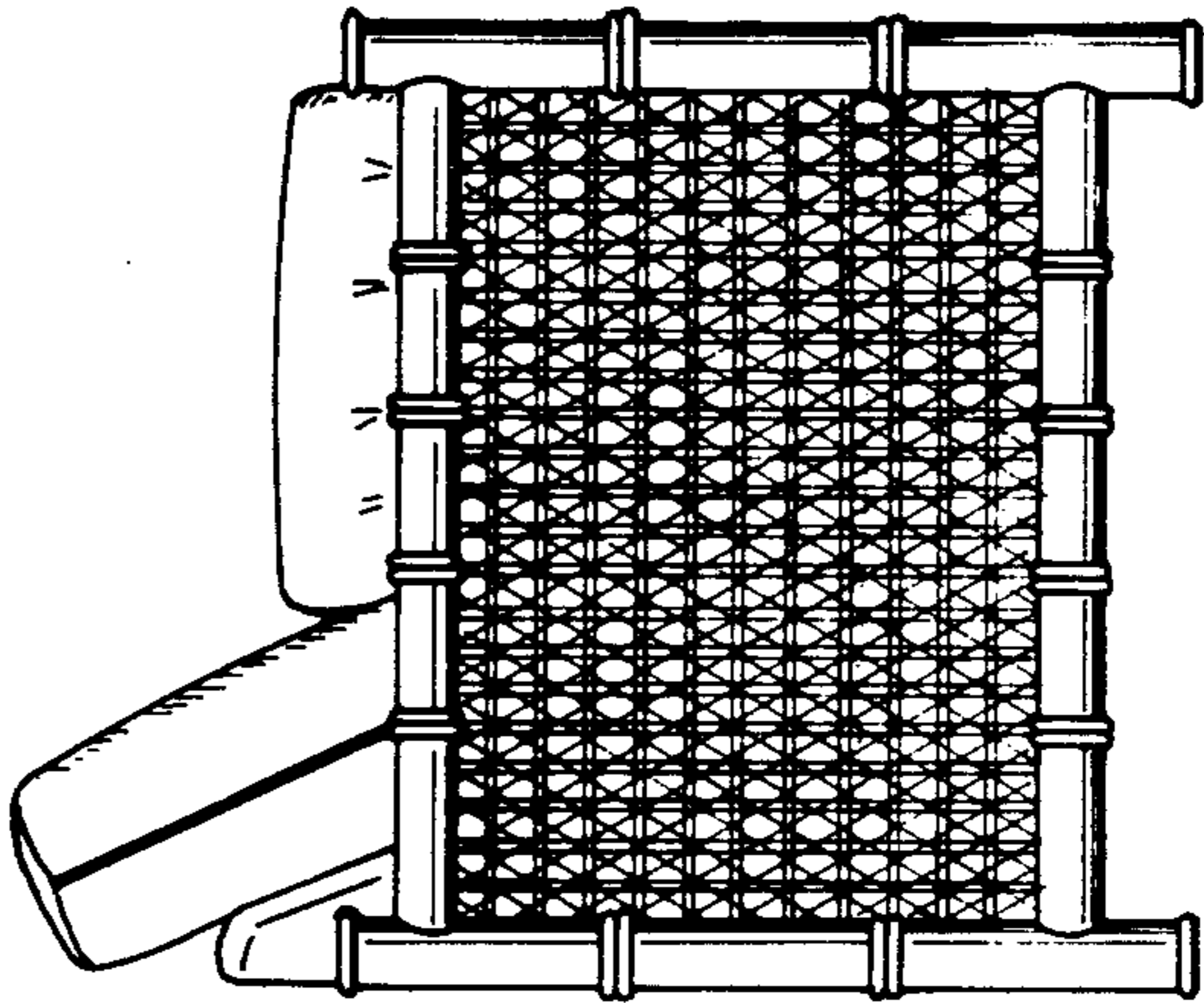


FIG. 2