

[54] CHAIR

[75] Inventor: **Isao Hosoe**, Milan, Italy

[73] Assignee: **Sacea S.a.s. di Tirinnanzi Giampietro & C.**, Legano, Italy

[\*\*] Term: **14 Years**

[21] Appl. No.: **827,829**

[22] Filed: **Aug. 25, 1977**

[51] Int. Cl. .... **D6—01**

[52] U.S. Cl. .... **D6/31; D6/72**

[58] Field of Search ..... D6/20, 26, 29, 30, 31, D6/47-78; 297/325, 344, 345, 346, 340

D. 241,691 10/1976 Rodriguez ..... D6/31

D. 247,463 3/1978 Muller-Deisig ..... D6/31

OTHER PUBLICATIONS

Interiors, 11-1973, p. 65, Chair, upper right center.

Interiors, 12-1973, p. 50, Chair at center.

*Primary Examiner*—Bruce W. Dunkins

*Attorney, Agent, or Firm*—Robert Osann

[57] CLAIM

The ornamental design for a chair, substantially as shown and described.

DESCRIPTION

FIG. 1 is a top and front perspective view of a chair showing my new design;

FIG. 2 is a side perspective view thereof, the opposite side being the same;

FIG. 3 is a rear elevational view thereof; and

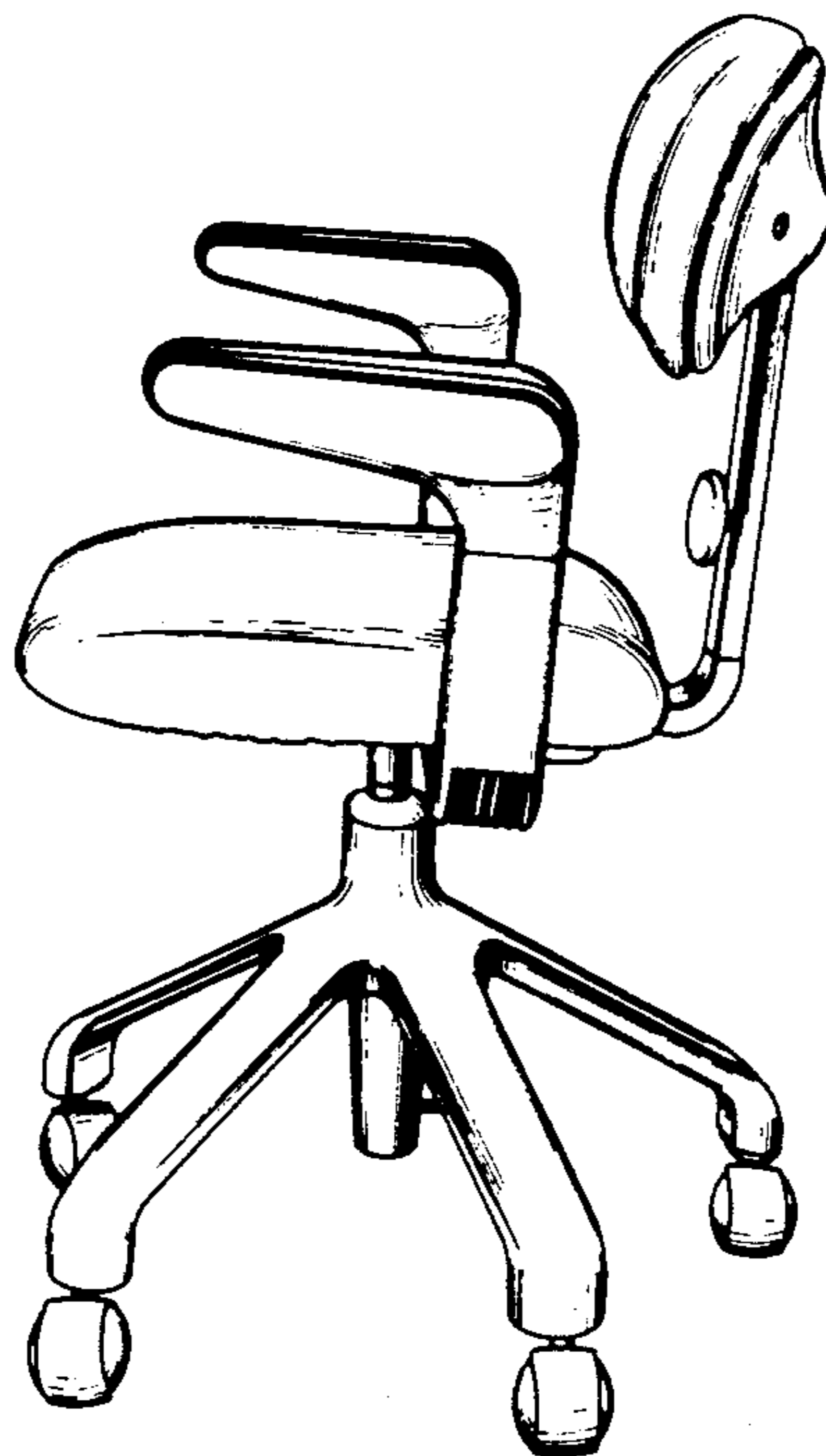
FIG. 4 is a bottom perspective view thereof.

[56] **References Cited**

**U.S. PATENT DOCUMENTS**

D. 233,638 11/1974 Offredi ..... D6/31

D. 233,807 12/1974 Ruf ..... D6/31



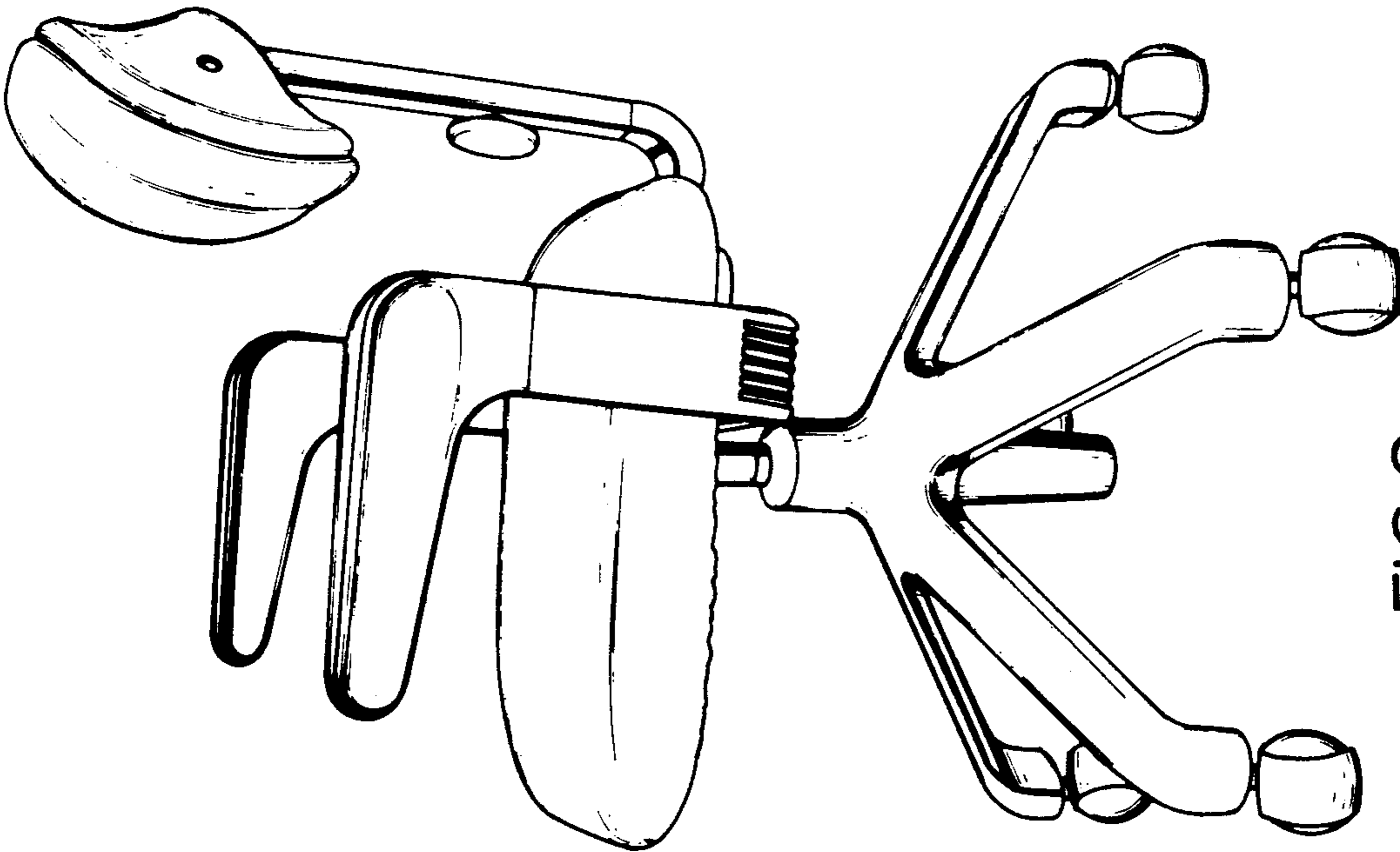


FIG. 2

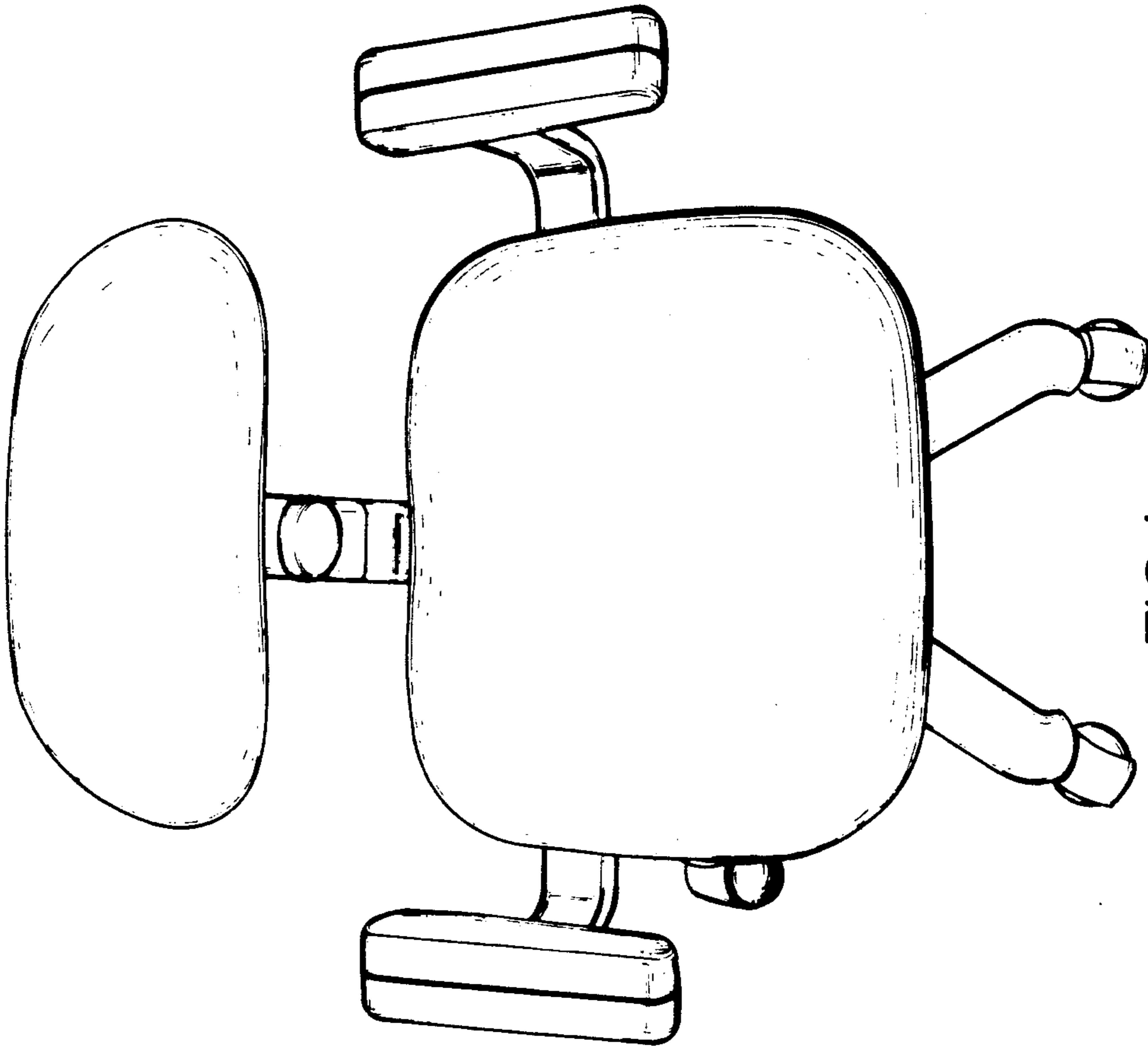


FIG. 1

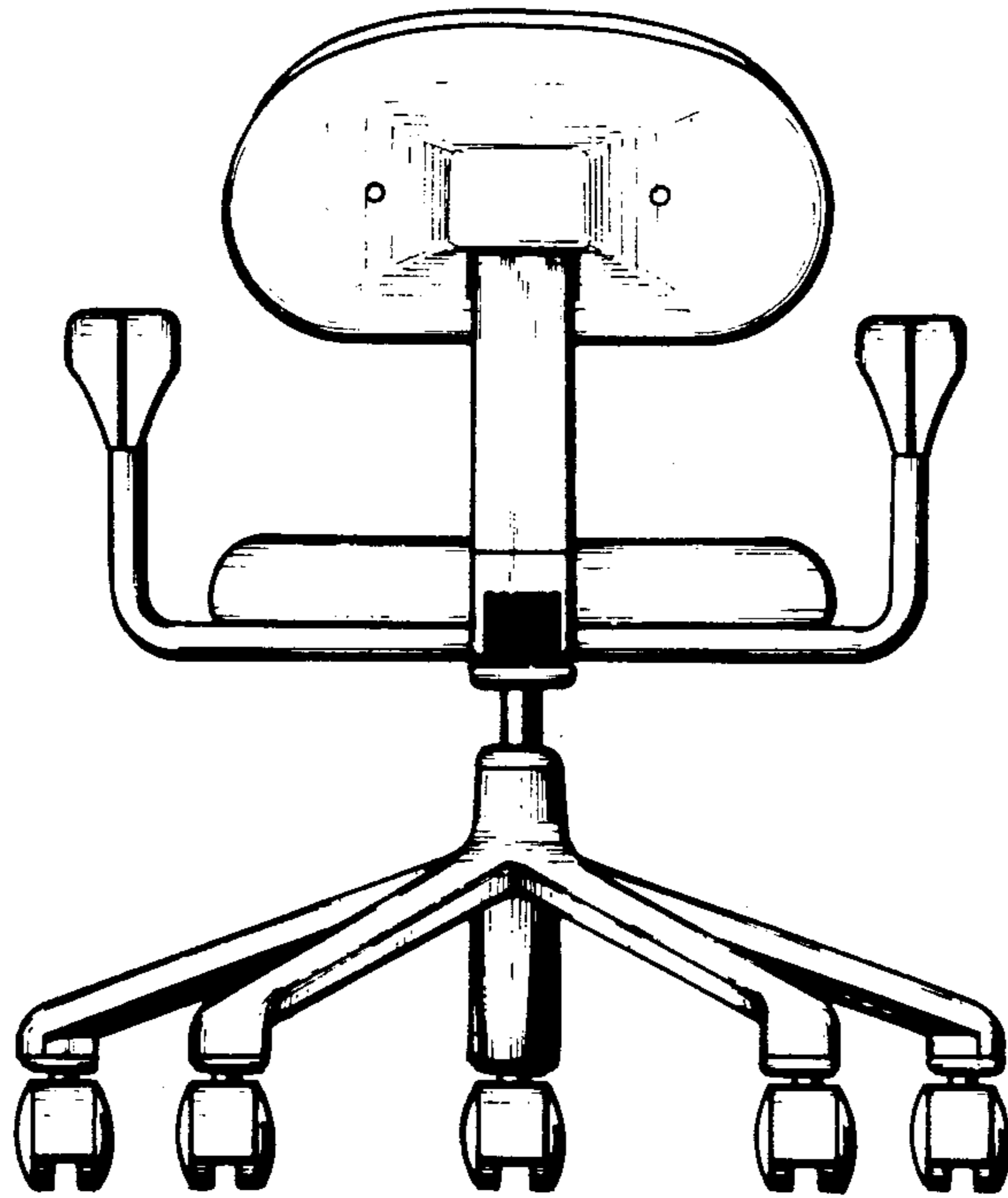


FIG. 3

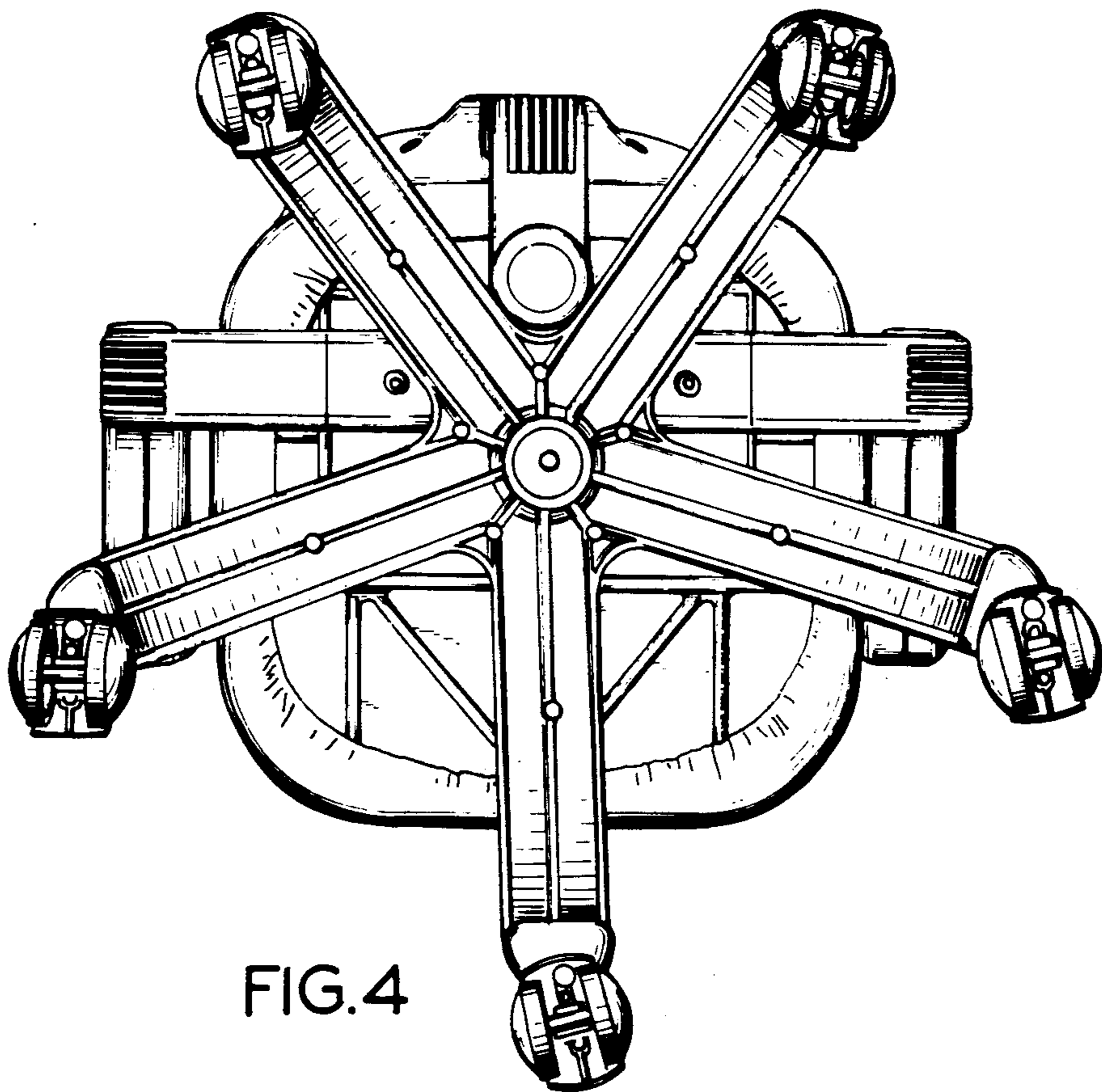


FIG. 4