

[54] SOAP BAR HOLDER  
[76] Inventor: Ivan D. Woods, 18119-3 Camino Bello, Rowland Heights, Calif. 91745

2,973,601 3/1961 McKnight ..... 206/77.1  
3,071,886 1/1963 Stiller ..... D6/90  
3,101,566 8/1963 Stiller ..... 248/206 R

[\*\*] Term: 14 Years

Primary Examiner—Wallace R. Burke  
Assistant Examiner—B. J. Bullock  
Attorney, Agent, or Firm—Robert L. Parker

[21] Appl. No.: 965,030

[22] Filed: Nov. 30, 1978

[57] CLAIM

[51] Int. Cl. .... D23-02

The ornamental design for a soap bar holder, substantially as shown and described.

[52] U.S. Cl. .... D6/27; D6/89

[58] Field of Search ..... D6/20, 27, 86-94, D6/96-103, 113, 114; 206/77.1; 211/87, 88, 71, 72, 60 R, 60 A, 86; 248/206 R, 362, 363

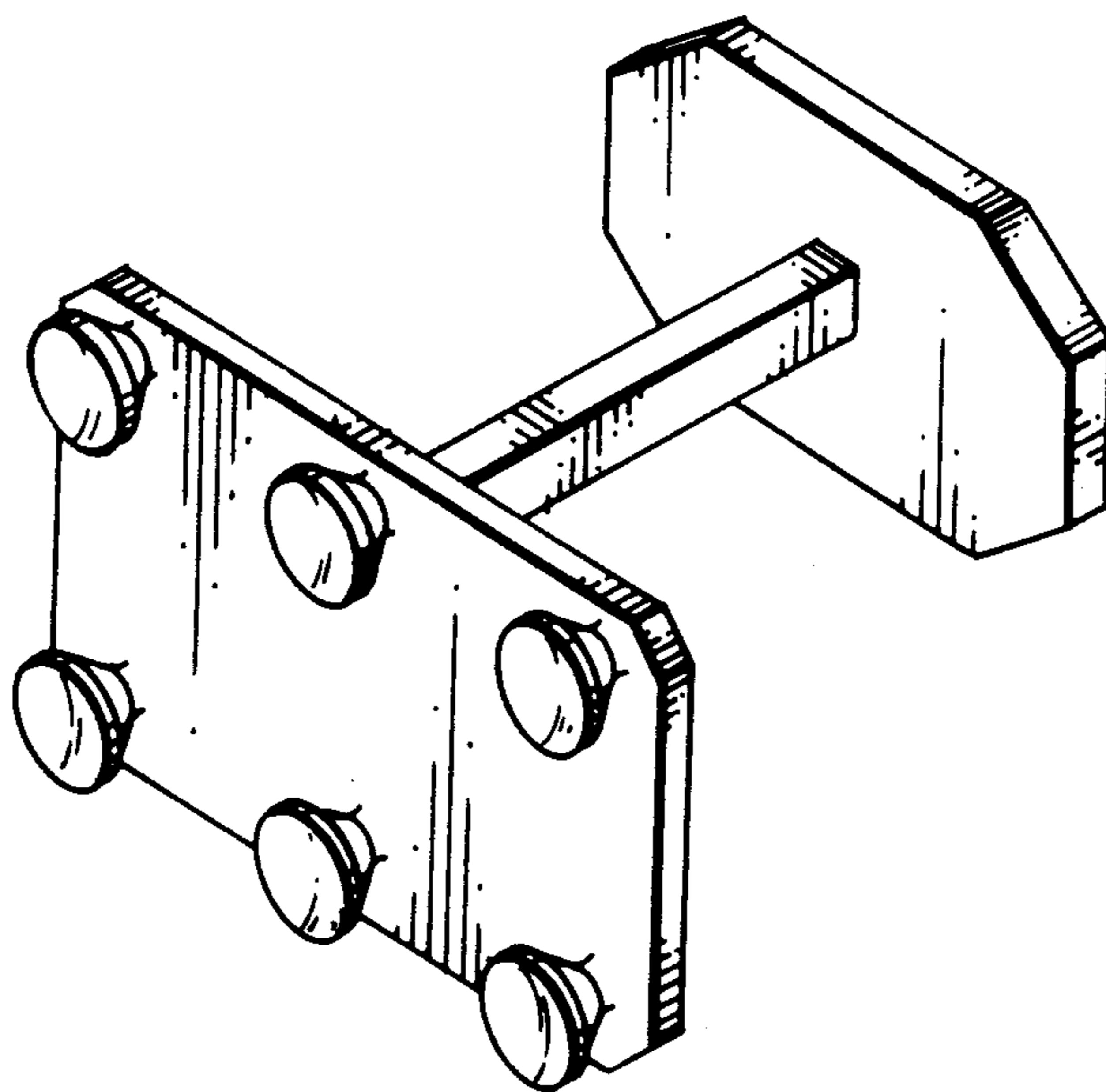
DESCRIPTION

[56] References Cited

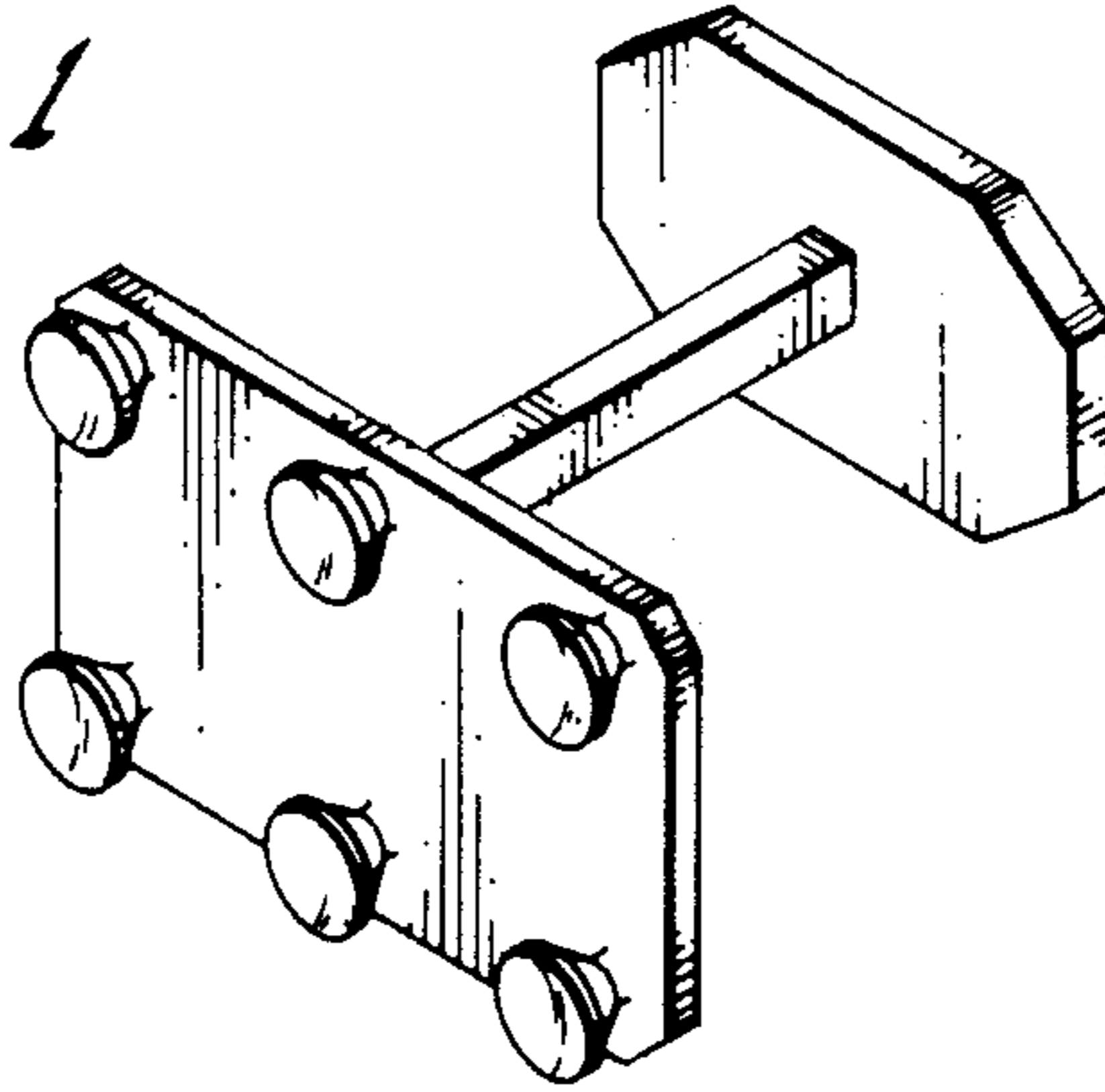
FIG. 1 is a front, bottom perspective view of a soap bar holder showing my new design;  
FIG. 2 is a front elevation view thereof;  
FIG. 3 is a side elevation view thereof;  
FIG. 4 is a top plan view thereof; and  
FIG. 5 is a bottom plan view thereof.

U.S. PATENT DOCUMENTS

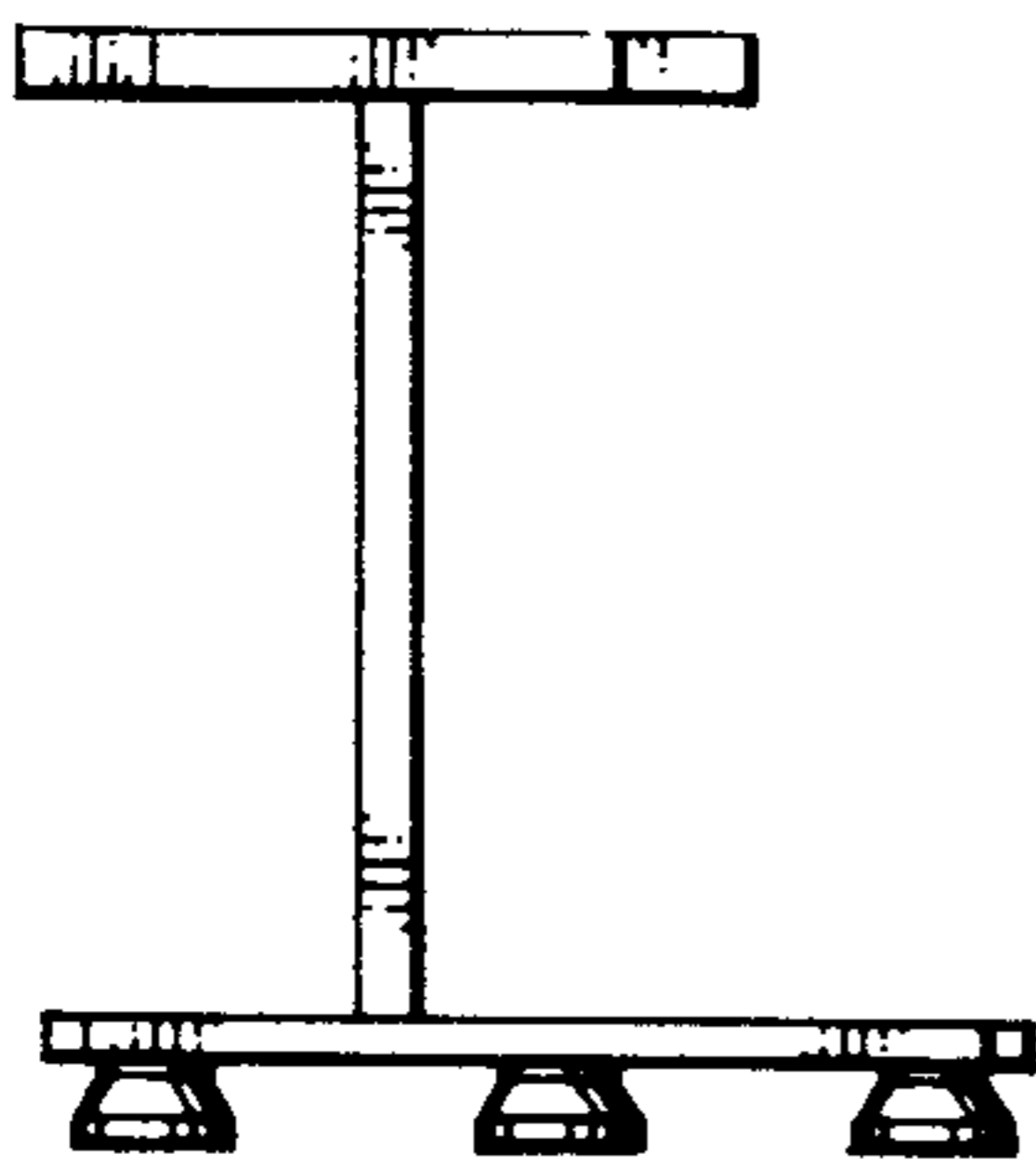
D. 211,888 8/1968 Hall et al. .... D6/89



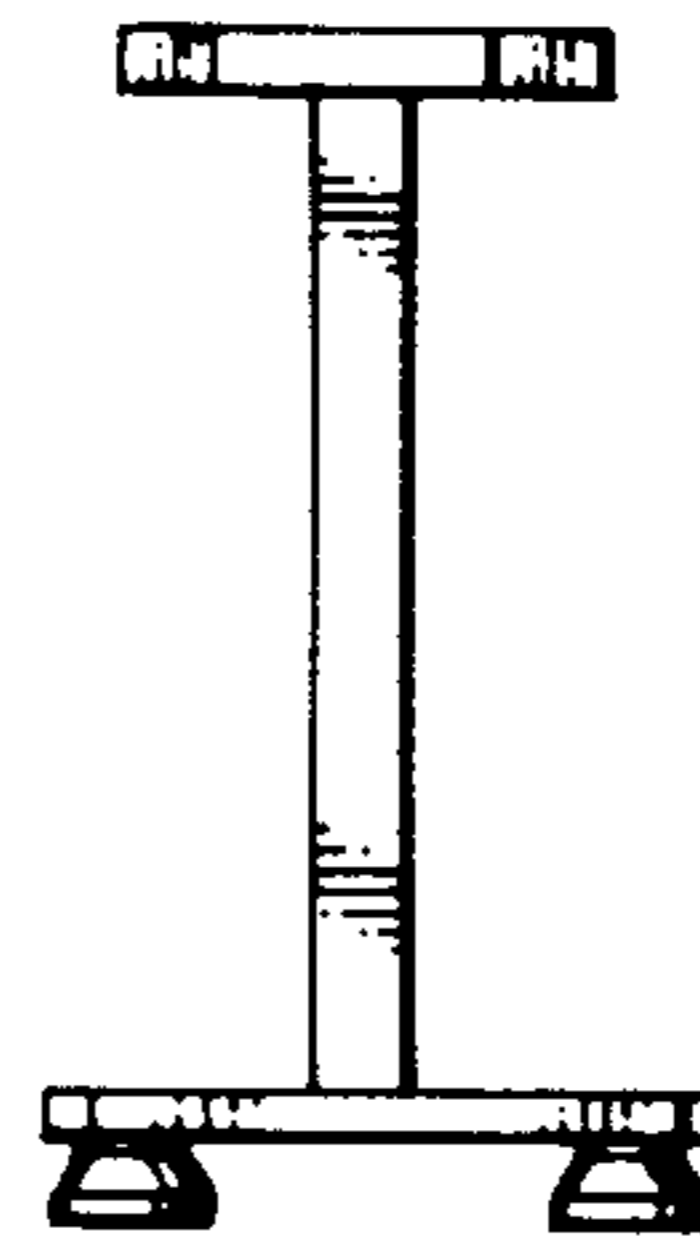
*Fig. 1*



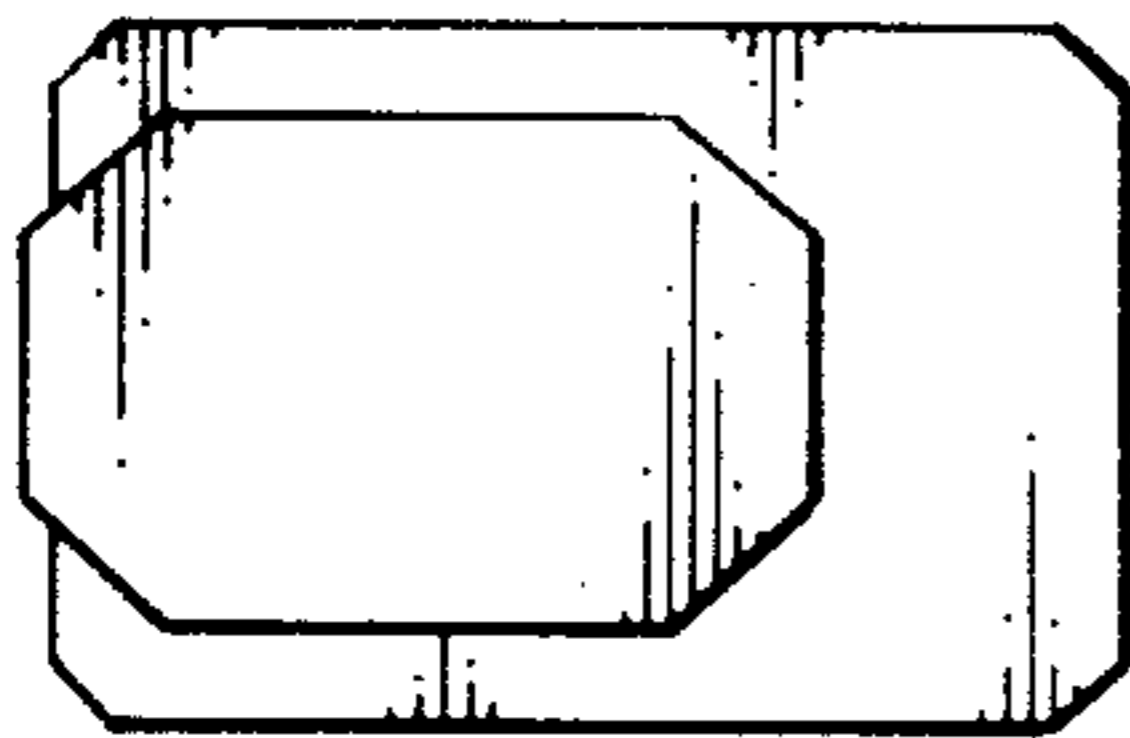
*Fig. 2*



*Fig. 3*



*Fig. 4*



*Fig. 5*

