

[54] PIPE RAIL SYSTEM

[76] Inventor: Thomas Souza, Jr., P.O. Box 579, 145 Hekili St., Kailua, Hi. 96734

[**] Term: 14 Years

[21] Appl. No.: 811,458

[22] Filed: Jun. 28, 1977

[51] Int. Cl. D25-02

[52] U.S. Cl. D25/44; D8/396

[58] Field of Search 256/67, 65, 68; D25/38, D25/39, 41, 42, 43, 44; D23/40, 43, 45; 403/191, 230, 187; D8/39 L

[56] References Cited

U.S. PATENT DOCUMENTS

2,172,137	9/1939	Ewing	403/191
2,538,259	1/1951	Merriman	D23/43 X
2,950,015	8/1960	Pataky	256/65 X

OTHER PUBLICATIONS

Sweet's Architectural Catalog File, 1962, section 6e/Bl, p. 15, railing at top left of page.
Sweet's Architectural Catalog File 1962, section 6e/Li, p. 4, railings at top right.

Primary Examiner—A. Hugo Word

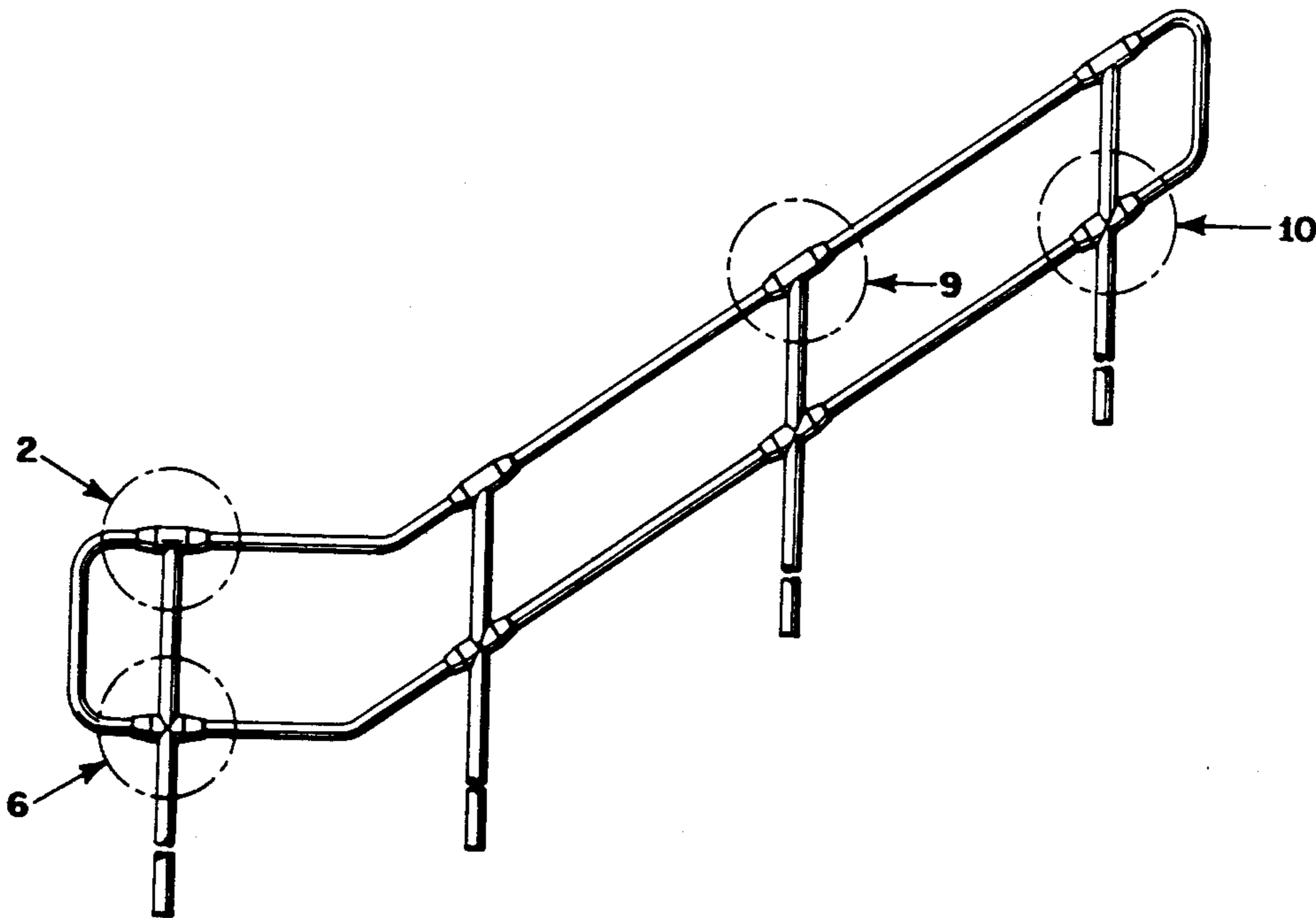
Attorney, Agent, or Firm—J. T. Martin

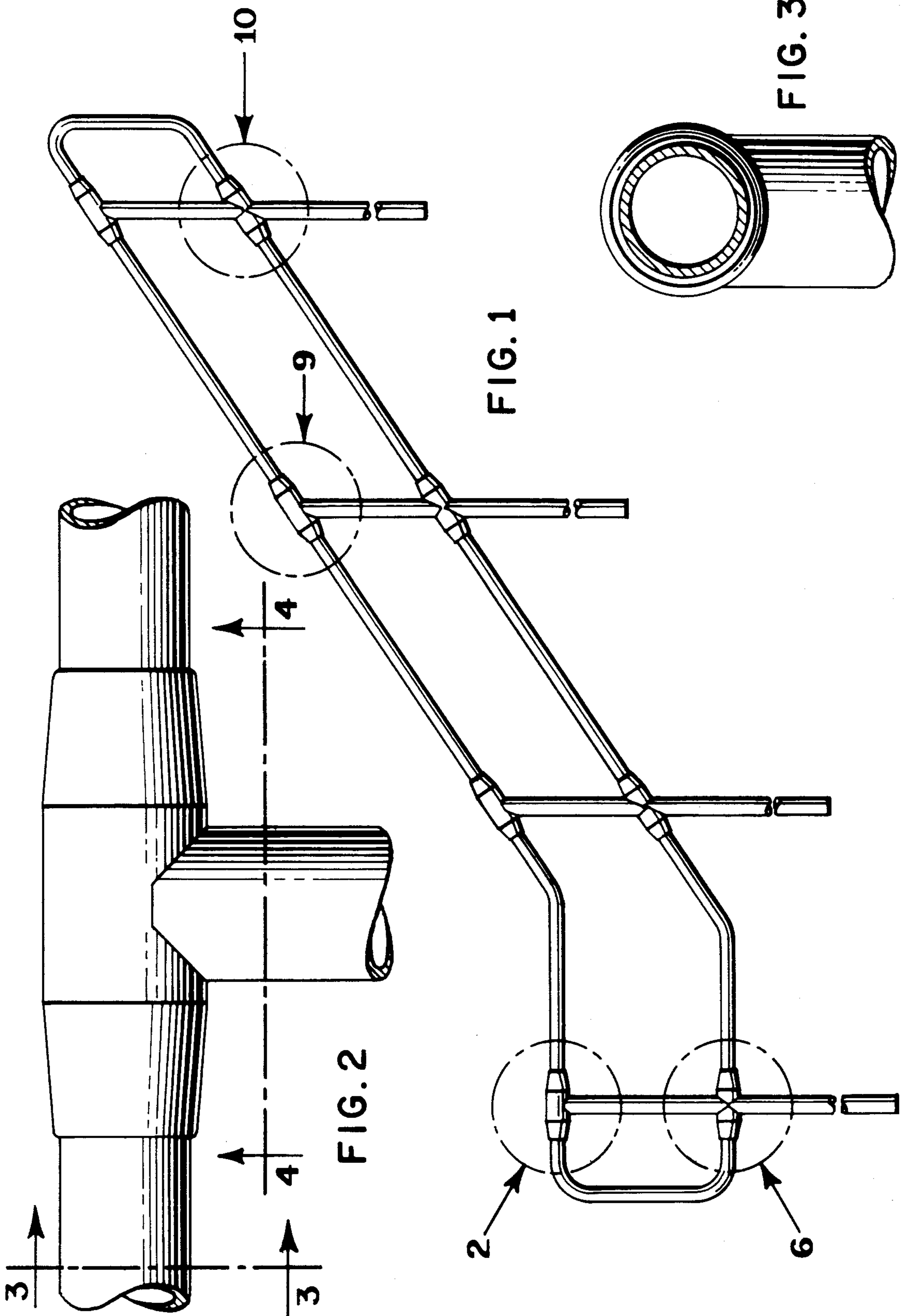
[57] CLAIM

The ornamental design for a pipe rail system, as shown and described.

DESCRIPTION

FIG. 1 is a front elevational view of one embodiment of a pipe rail system showing my new design; FIG. 2 is an enlarged side view of the connection sleeve circled and labeled 2 in FIG. 1; FIG. 3 is a cross-sectional view of the connection sleeve of FIG. 2 taken along the lines 3—3 thereof; FIG. 4 is a cross-sectional view of the connection sleeve of FIG. 2 taken along lines 4—4 thereof; FIG. 5 is a plan view of the connection sleeve of FIG. 2; FIG. 6 is an enlarged side view of the connection sleeve circled and labeled 6 in FIG. 1; FIG. 7 is a cross-sectional view of the connection sleeve of FIG. 6 taken along the lines 7—7 thereof; FIG. 8 is a cross-sectional view of the connection sleeve of FIG. 6 taken along the lines 8—8 thereof; FIG. 9 is an enlarged side view of the connection sleeve circled and labeled 9 in FIG. 1; FIG. 10 is an enlarged side view of the connection sleeve circled and labeled 10 in FIG. 1; and FIG. 11 is a front elevational view of another embodiment of a pipe rail system showing my new design.





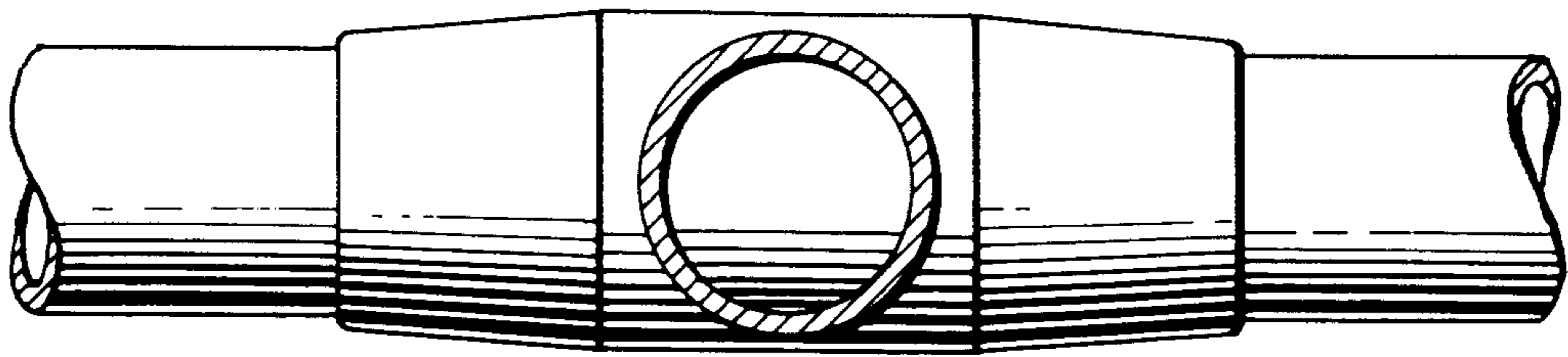


FIG. 4

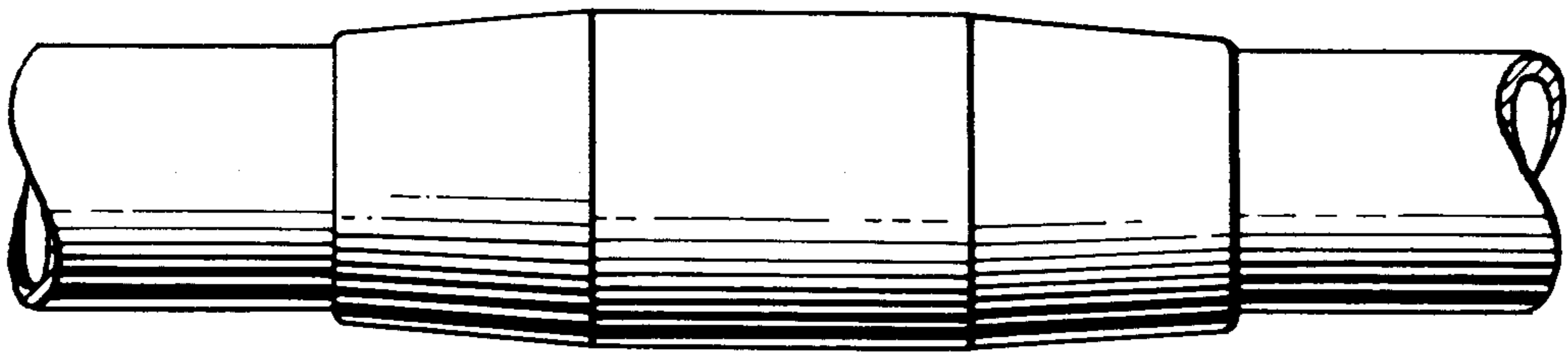


FIG. 5

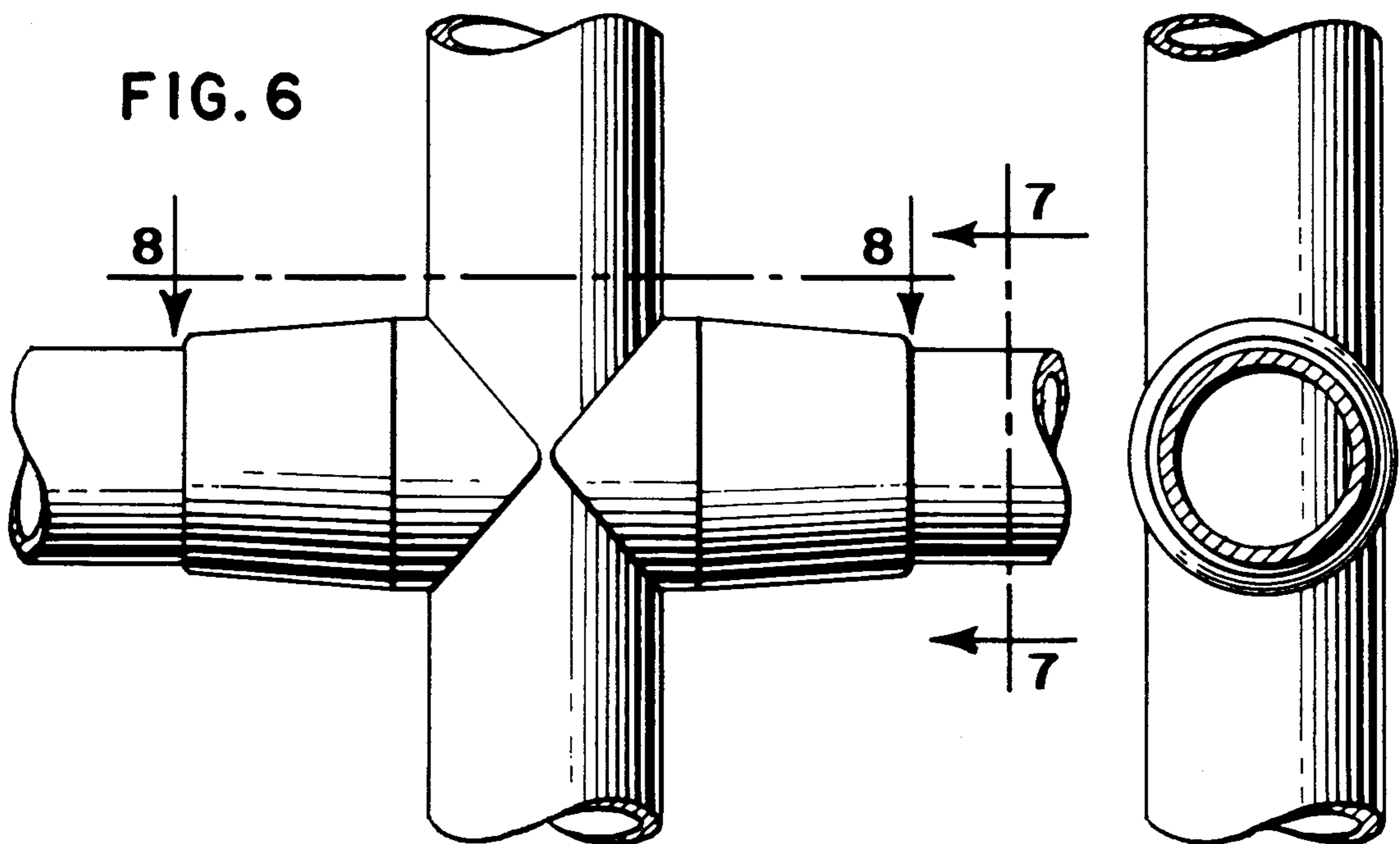


FIG. 6

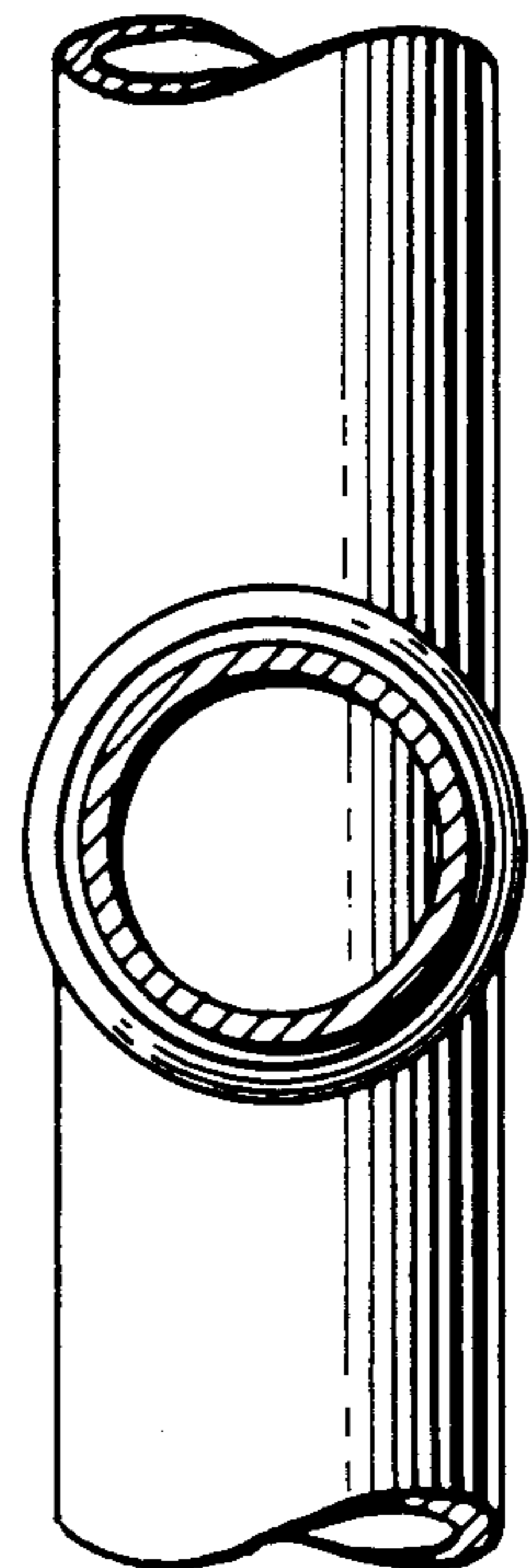


FIG. 7

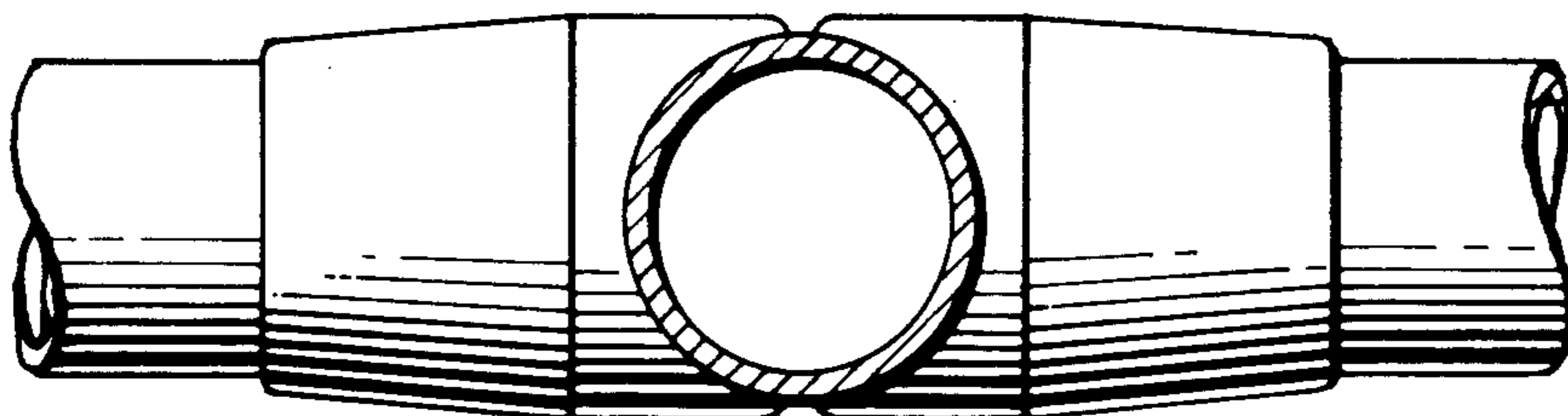


FIG. 8

FIG. 9

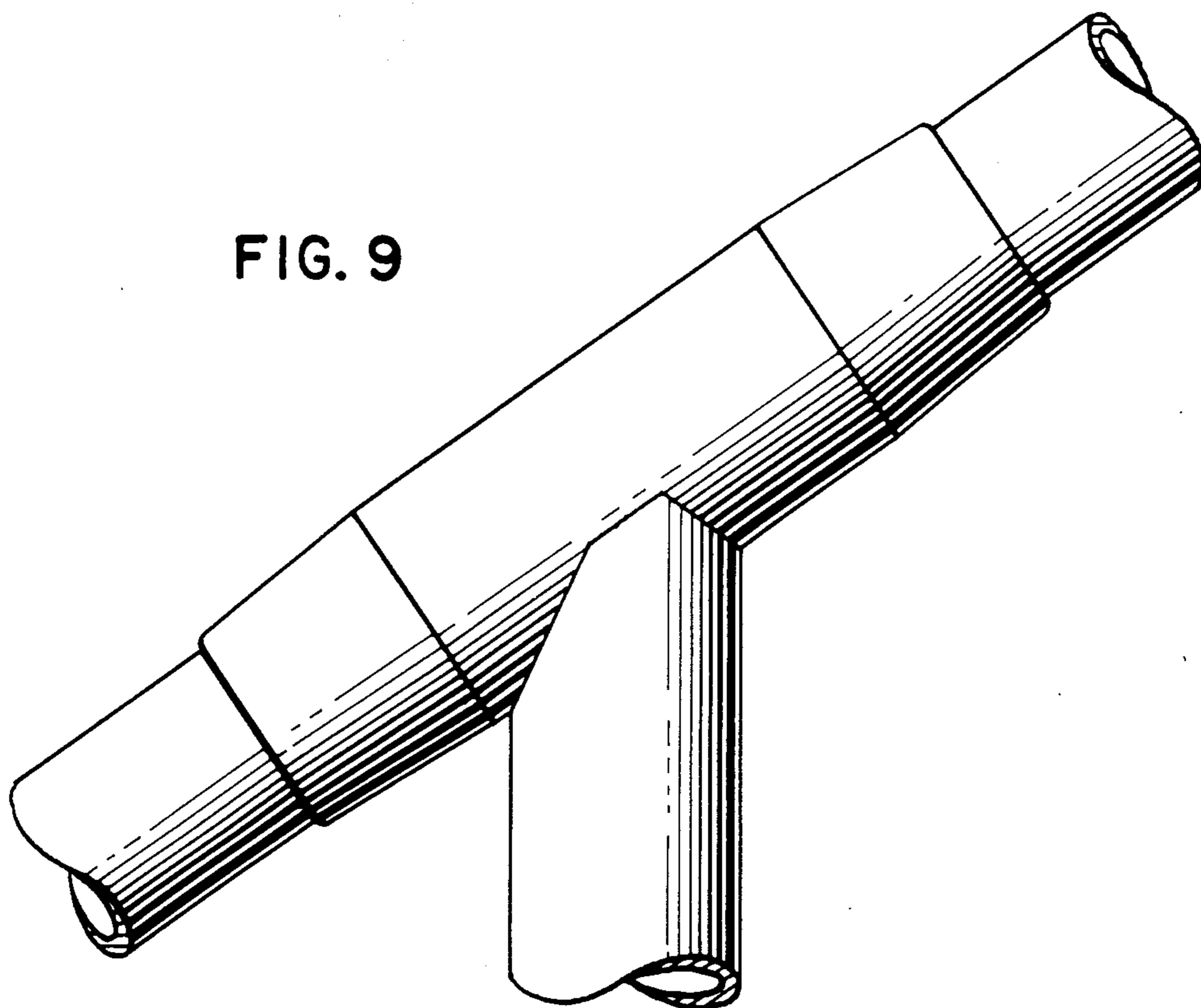


FIG. 10

